

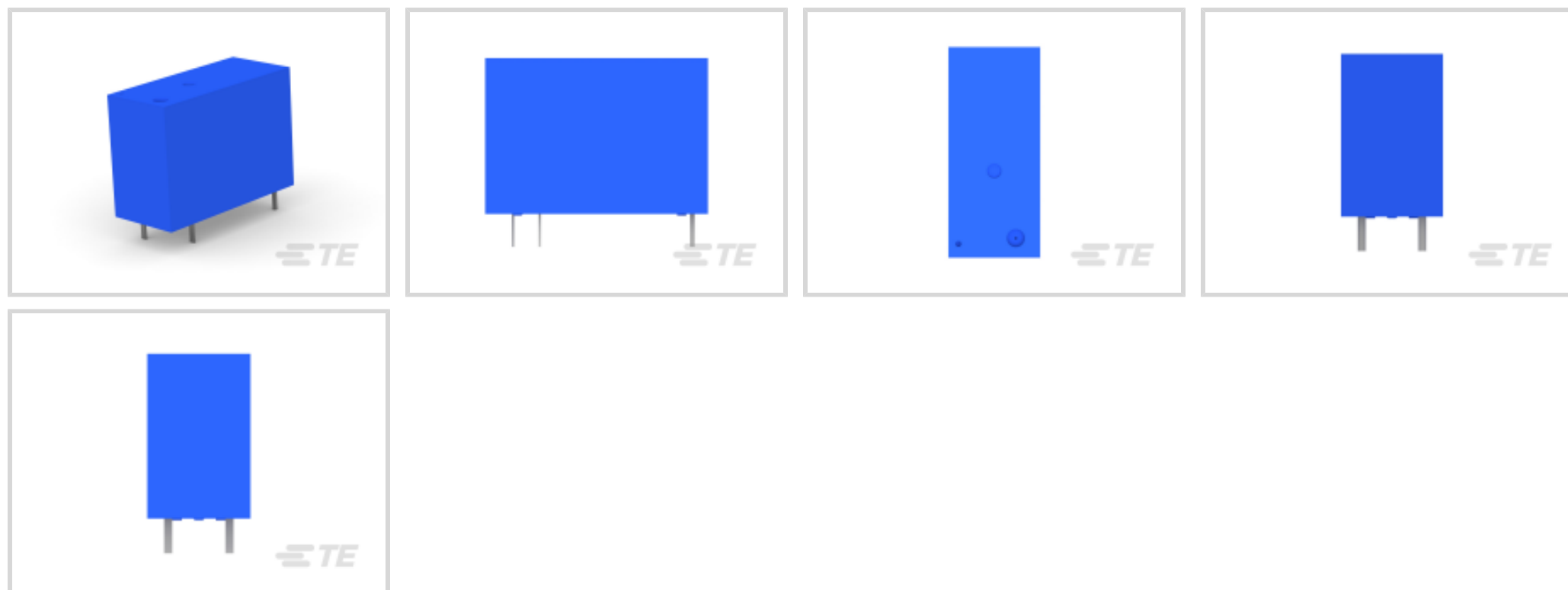


OEG

TE Internal #: 4-1440000-1

TE Internal Description: OMI-SH-112LM,394

[View on TE.com >](#)



Product Compliance

[For compliance documentation, visit the product page on TE.com>](#)

EU RoHS Directive 2011/65/EU	Compliant with Exemptions
EU ELV Directive 2000/53/EC	Not Compliant
China RoHS 2 Directive MIIT Order No 32, 2016	未针对中国 RoHS 符合性进行审核 Not reviewed for China RoHS compliance
EU REACH Regulation (EC) No. 1907/2006	Current ECHA Candidate List: JUNE 2025 (250) Candidate List Declared Against: JAN 2020 (205) SVHC > Threshold: Not Yet Reviewed
Halogen Content	Not Low Halogen - contains Br or Cl > 900 ppm.
Solder Process Capability	Wave solder capable to 265°C

Product Compliance Disclaimer

This information is provided based on reasonable inquiry of our suppliers and represents our current actual knowledge based on the information they provided. This information is subject to change. The part numbers that TE has identified as EU RoHS compliant have a maximum concentration of 0.1% by weight in homogenous materials for lead, hexavalent chromium, mercury, PBB, PBDE, DBP, BBP, DEHP, DIBP, and 0.01% for cadmium, or qualify for an exemption to these limits as defined in the Annexes of Directive 2011/65/EU (RoHS2). Finished electrical and electronic equipment products will be CE marked as required by Directive 2011/65/EU. Components may not be CE marked. Additionally, the part numbers that TE has identified as EU ELV compliant have a maximum concentration of 0.1% by weight in homogenous materials for lead, hexavalent chromium, and mercury, and 0.01% for cadmium, or qualify for an exemption to these limits as defined in the Annexes of Directive 2000/53/EC (ELV). Regarding the REACH Regulations, TE's information on SVHC in articles for this part number is still based on the European Chemical Agency (ECHA) 'Guidance on requirements for substances in articles' (Version: 2, April 2011), applying the 0.1% weight on weight concentration threshold at the finished product level. TE is aware of the European Court of Justice ruling of September 10th, 2015 also known as O5A (Once An Article Always An Article) stating that, in case of 'complex object', the threshold for a SVHC must be applied to both the product as a whole and simultaneously to each of the articles forming part of its composition. TE has evaluated this ruling based on the new ECHA "Guidance on requirements for substances in articles" (June 2017, version 4.0) and will be updating its statements accordingly.

Customers Also Bought



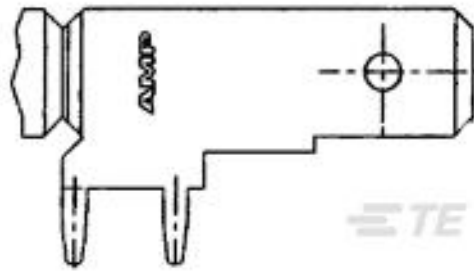
TE Part #GA10K3A1D
DISCRETE 10K OHMS,+/-1.0C FROM
0C TO 70C



TE Part #103638-4
05 MTE HDR SRST LATCH .100CL



TE Part #1-640457-3
13P MTA100 HDR ASSY SQ R/A F/L



TE Part #1217754-1
250 FASTON, FLAG, PCB TAB, TNBR



TE Part #1393212-8
T92S7D12-12



TE Part #1419108-3
RT114024F



TE Part #3-1437658-3
8PCV-10-006=738010600



TE Part #1440004
PCH-112D2,000



TE Part #4-2176304-2
RP 1E 0.1W 26R7 0.1% 25PPM 5K RL



TE Part #7-2176304-4
RP 1E 0.1W 57R6 0.1% 25PPM 5K RL

Documents

Product Drawings

[OMI-SH-112LM,394](#)

English

[OMI-SH-112LM,394](#)

English

CAD Files

Customer View Model

[ENG_CVM_CVM_4-1440000-1_B.2d_dxf.zip](#)

English

[3D PDF](#)

3D

Customer View Model

[ENG_CVM_CVM_4-1440000-1_B.3d_igs.zip](#)

English

Customer View Model



[ENG_CVM_CVM_4-1440000-1_B.3d_stp.zip](#)

English

By downloading the CAD file I accept and agree to the [Terms and Conditions](#) of use.

Product Specifications

[OMI-SH-112LM,000 394 Spec Sheet](#)

Japanese

[Definitions General Purpose Relays](#)

English