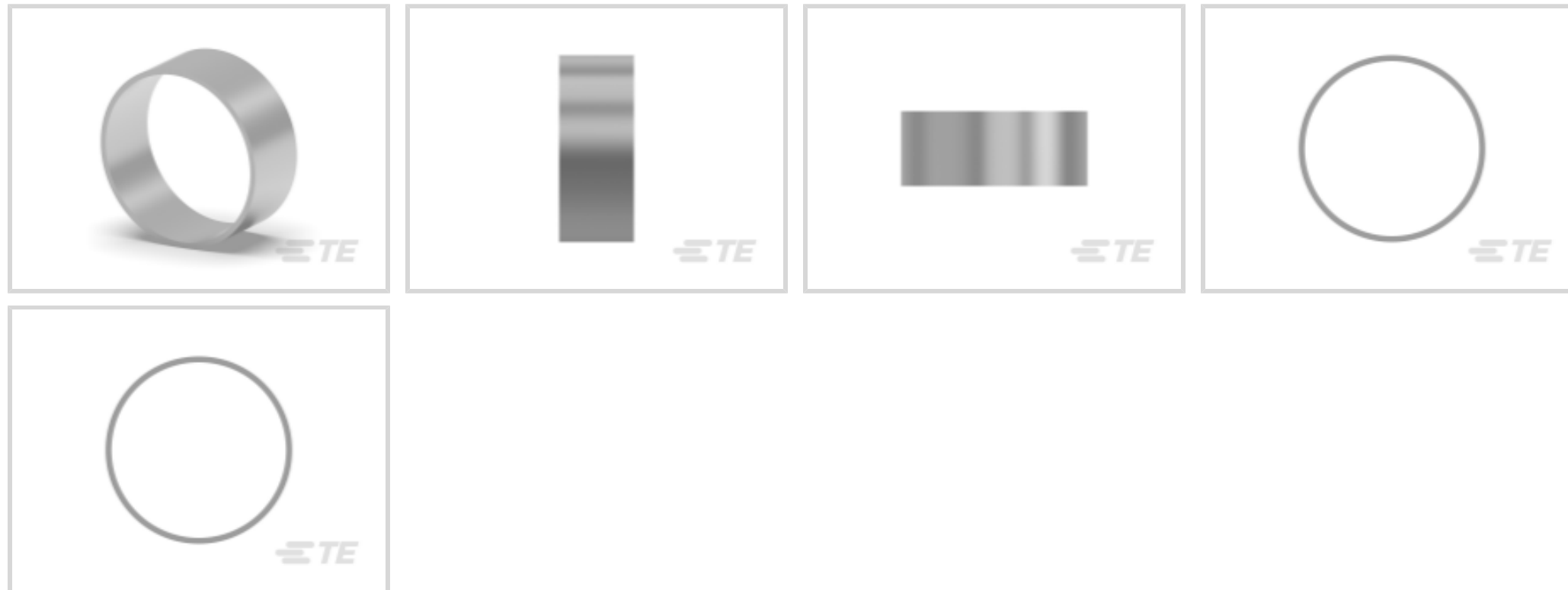




Connectors > Connector Accessories > Connector Strain Relief



Strain Relief Accessory Type: **Cable Contact Tube**

Packaging Method: **Bag**

Packaging Quantity: **500**

EU RoHS Compliance: **Compliant**

EU ELV Compliance: **Compliant**

Features

Product Type Features

Strain Relief Accessory Type	Cable Contact Tube
------------------------------	--------------------

Packaging Features

Packaging Method	Bag
Packaging Quantity	500

Other

EU RoHS Compliance	Compliant
EU ELV Compliance	Compliant

Product Compliance

[For compliance documentation, visit the product page on TE.com>](#)

EU RoHS Directive 2011/65/EU	Compliant
EU ELV Directive 2000/53/EC	Compliant
China RoHS 2 Directive MIIT Order No 32, 2016	No Restricted Materials Above Threshold
EU REACH Regulation (EC) No. 1907/2006	Current ECHA Candidate List: JUNE 2024 (241)

Candidate List Declared Against: JUNE 2024 (241)

Does not contain REACH SVHC

Halogen Content

Low Halogen - Br, Cl, F, I < 900 ppm per homogenous material. Also BFR/CFR/PVC Free

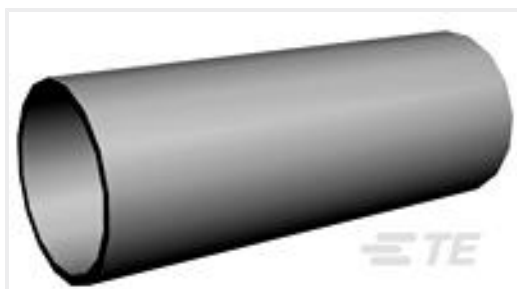
Solder Process Capability

Not applicable for solder process capability

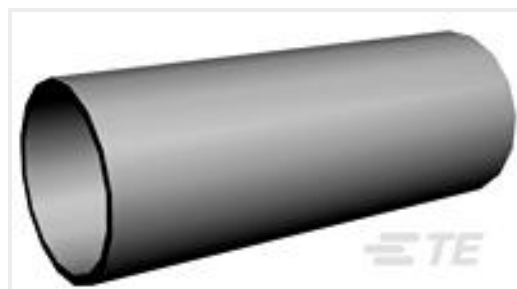
Product Compliance Disclaimer

This information is provided based on reasonable inquiry of our suppliers and represents our current actual knowledge based on the information they provided. This information is subject to change. The part numbers that TE has identified as EU RoHS compliant have a maximum concentration of 0.1% by weight in homogenous materials for lead, hexavalent chromium, mercury, PBB, PBDE, DBP, BBP, DEHP, DIBP, and 0.01% for cadmium, or qualify for an exemption to these limits as defined in the Annexes of Directive 2011/65/EU (RoHS2). Finished electrical and electronic equipment products will be CE marked as required by Directive 2011/65/EU. Components may not be CE marked. Additionally, the part numbers that TE has identified as EU ELV compliant have a maximum concentration of 0.1% by weight in homogenous materials for lead, hexavalent chromium, and mercury, and 0.01% for cadmium, or qualify for an exemption to these limits as defined in the Annexes of Directive 2000/53/EC (ELV). Regarding the REACH Regulation, the information TE provides on SVHC in articles for this part number is based on the latest European Chemicals Agency (ECHA) 'Guidance on requirements for substances in articles' posted at this URL: <https://echa.europa.eu/guidance-documents/guidance-on-reach>

Compatible Parts



TE Part # 3-1393561-9
V42254A6109L 1=SUB D KONTAKTH



TE Part # 4-1393561-2
V42254A6112L 1=SUB D KONTAKTH

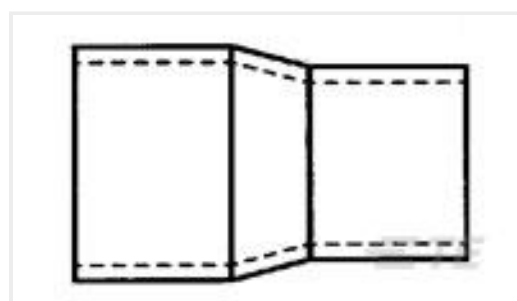
Customers Also Bought



TE Part #5745173-5
CABLE CLAMP KIT,SZ 3



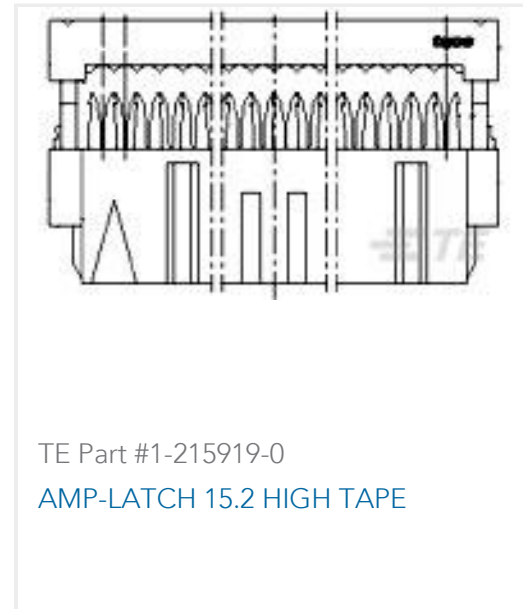
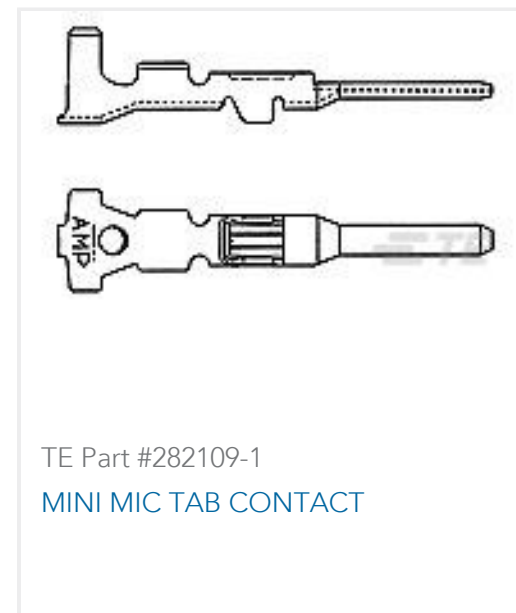
TE Part #207015-1
HSG,PLUG,4 POSN,SM METRIC



TE Part #520433-1
4 SDL FERRULE,BULK PKG



TE Part #40724
RING 164(4.17 MM) TERMINAL18-14 AWG TPBR



Documents

Product Drawings

V42254A6110L 1=SUB D KONTAKTH

English

Instruction Sheets

mounting guideline for d-Sub housings

English

Instruction Sheet (U.S.)

English