

Product Compliance

[For compliance documentation, visit the product page on TE.com>](#)

EU RoHS Directive 2011/65/EU	Compliant with Exemptions
EU ELV Directive 2000/53/EC	Compliant with Exemptions
China RoHS 2 Directive MIIT Order No 32, 2016	有害物质含量超出标准 Restricted Substance(s) Above Threshold
EU REACH Regulation (EC) No. 1907/2006	Current ECHA Candidate List: JUNE 2025 (250) Candidate List Declared Against: JAN 2022 (223) SVHC > Threshold: Pb (3.2% in Component part) Article Safe Usage Statements: Do not eat, drink or smoke when using this product. Wash thoroughly after handling. Recycle if possible and dispose of the article by following all applicable governmental regulations relevant to your geographic location.
Halogen Content	Not Low Halogen - contains Br or Cl > 900 ppm.
Solder Process Capability	Wave solder capable to 265°C

Product Compliance Disclaimer

This information is provided based on reasonable inquiry of our suppliers and represents our current actual knowledge based on the information they provided. This information is subject to change. The part numbers that TE has identified as EU RoHS compliant have a maximum concentration of 0.1% by weight in homogenous materials for lead, hexavalent chromium, mercury, PBB, PBDE, DBP, BBP, DEHP, DIBP, and 0.01% for cadmium, or qualify for an exemption to these limits as defined in the Annexes of Directive 2011/65/EU (RoHS2). Finished electrical and electronic equipment products will be CE marked as required by Directive 2011/65/EU. Components may not be CE marked. Additionally, the part numbers that TE has identified as EU ELV compliant have a maximum concentration of 0.1% by weight in homogenous materials for lead, hexavalent chromium, and mercury, and 0.01% for cadmium, or qualify for an exemption to these limits as defined in the Annexes of Directive 2000/53/EC (ELV). Regarding the REACH Regulation, the information TE provides on SVHC in articles for this part number is based on the latest European Chemicals Agency (ECHA) 'Guidance on requirements for substances in articles' posted at this URL: <https://echa.europa.eu/guidance-documents/guidance-on-reach>

Customers Also Bought



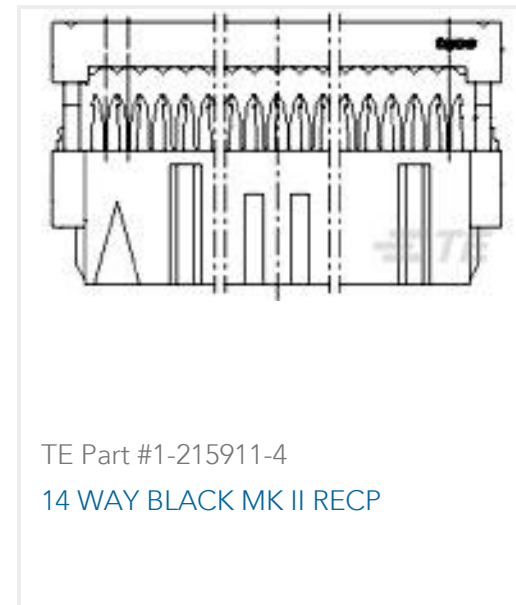
TE Part #3-106505-2
9P.HDP20 REC.ASSY.



TE Part #6-106506-2
15P.HDP20 REC.ASSY.



TE Part #7-215460-6
MICRO-MATCH FSID P



TE Part #1-215911-4
14 WAY BLACK MK II RECP



TE Part #292161-5
CT P/HDR ASSY V 5P W/KINK NAT



TE Part #1-338069-0
MICRO-MATCH SMD FTE



TE Part #3-1462039-2
IM26TS=IM RELAY 50mW 12V



TE Part #1483351-2
MICRO-MATCH LEAD 06P 150MM



TE Part #2311763-1
AMPL REC, HD22, R/A, 15P, S/L



TE Part #1-100103-4
14P.A/L.STRAIN REL.

Documents

Product Drawings

V23529A1223C225=SUB D STIFTLEI

English

CAD Files

3D PDF

3D

Customer View Model

[ENG_CVM_CVM_4-1393479-5_A.2d_dxf.zip](#)

English

Customer View Model

[ENG_CVM_CVM_4-1393479-5_A.3d_igs.zip](#)

English

Customer View Model

[ENG_CVM_CVM_4-1393479-5_A.3d_stp.zip](#)

English

By downloading the CAD file I accept and agree to the [Terms and Conditions](#) of use.

