



Product Compliance

[For compliance documentation, visit the product page on TE.com>](#)

EU RoHS Directive 2011/65/EU	Compliant
EU ELV Directive 2000/53/EC	Compliant
China RoHS 2 Directive MIIT Order No 32, 2016	No Restricted Materials Above Threshold
EU REACH Regulation (EC) No. 1907/2006	Current ECHA Candidate List: JUNE 2024 (241) Candidate List Declared Against: JUN 2016 (169) SVHC > Threshold: Not Yet Reviewed
Halogen Content	Not Low Halogen - contains Br or Cl > 900 ppm.
Solder Process Capability	Not applicable for solder process capability

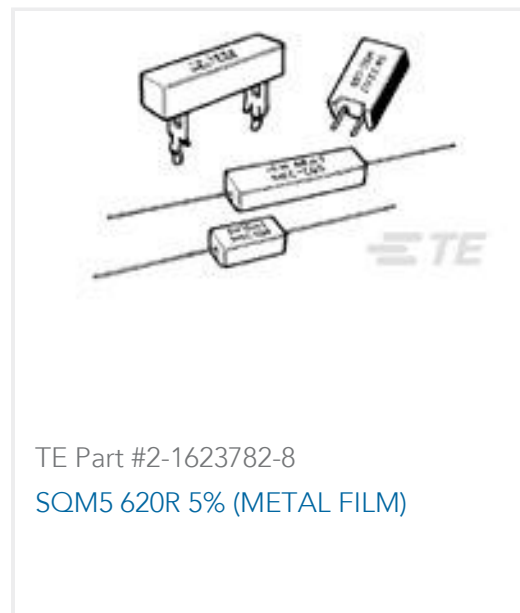
Product Compliance Disclaimer

This information is provided based on reasonable inquiry of our suppliers and represents our current actual knowledge based on the information they provided. This information is subject to change. The part numbers that TE has identified as EU RoHS compliant have a maximum concentration of 0.1% by weight in homogenous materials for lead, hexavalent chromium, mercury, PBB, PBDE, DBP, BBP, DEHP, DIBP, and 0.01% for cadmium, or qualify for an exemption to these limits as defined in the Annexes of Directive 2011/65/EU (RoHS2). Finished electrical and electronic equipment products will be CE marked as required by Directive 2011/65/EU. Components may not be CE marked. Additionally, the part numbers that TE has identified as EU ELV compliant have a maximum concentration of 0.1% by weight in homogenous materials for lead, hexavalent chromium, and mercury, and 0.01% for cadmium, or qualify for an exemption to these limits as defined in the Annexes of Directive 2000/53/EC (ELV). Regarding the REACH Regulations, TE's information on SVHC in articles for this part number is still based on the European Chemical Agency (ECHA) 'Guidance on requirements for substances in articles' (Version: 2, April 2011), applying the 0.1% weight on weight concentration threshold at the finished product level. TE is aware of the European Court of Justice ruling of September 10th, 2015 also known as O5A (Once An Article Always An Article) stating that, in case of 'complex object', the threshold for a SVHC must be applied to both the product as a whole and simultaneously to each of the articles forming part of its composition. TE has evaluated this ruling based on the new ECHA "Guidance on requirements for substances in articles" (June 2017, version 4.0) and will be updating its statements accordingly.

Customers Also Bought



TE Part #6-1879259-6
RP 2B 2K0 0.1% 15PPM 5K RL



TE Part #2-1623782-8
SQM5 620R 5% (METAL FILM)



TE Part #8-1879264-9
RP 2B 127K 0.1% 15PPM 1K RL



TE Part #3-644766-4
04P MTA156 HDR ASSY STR SQ LF



TE Part #2-2176376-8
RQ 0805 23K7 0.1% 10PPM 1K RL



TE Part #5-825435-0
MOD 2 PIN HEADER



TE Part #2-1415430-5
0430 06 0703 00



TE Part #644712-1
03P MTA156 HDR ASSY STR W/O#2



TE Part #8-1393215-3
V23057-B0006-A202



TE Part #8-435469-1
DIP SW ASSY-BLK 4PST-4POS

Documents

CAD Files

3D PDF

3D

Customer View Model

[ENG_CVM_CVM_4-1393090-8_B.2d_dxf.zip](#)

English

Customer View Model

[ENG_CVM_CVM_4-1393090-8_B.3d_igs.zip](#)

English

Customer View Model

[ENG_CVM_CVM_4-1393090-8_B.3d_stp.zip](#)

English

By downloading the CAD file I accept and agree to the [Terms and Conditions](#) of use.

Datasheets & Catalog Pages

[Multimode Relay MT](#)

English

Product Specifications



Definitions General Purpose Relays

English