



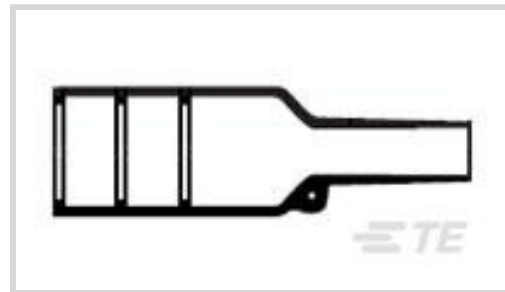
**RAYCHEM**

TE Internal #: 395481-000

Straight Heat Shrink Boot, 202 Shape Code, Lipped, 100 Material Code, 100 Material Systems Code, Adhesive Precoat, -30 – 105 °C [-22 – 221 °F]

[View on TE.com >](#)

Wire Protection & Management > Heat Shrink Shapes > Heat Shrink Boots > Bulbous Heat Shrink Boots: Lipped, Straight



Body Orientation: **Straight**

Molded Part Shape Code: **202**

Lipped: **Yes**

Material Code: **100**

Material Systems Code: **100**

[All Bulbous Heat Shrink Boots: Lipped, Straight \(360\)](#)

**Features**

**Industry Standards**

Compatible With Approved Standards Products	VG95343 Parts 29 and 30
---	-------------------------

**Dimensions**

Expanded Inside Diameter (Min)	31 mm[1.22 in]
--------------------------------	----------------

**Usage Conditions**

Flammability Performance	Low Fire Hazard
Operating Temperature Range	-30 – 105 °C[-22 – 221 °F]
Resistance Protection	Long-Term Fluid Exposure at High Temperatures

**Body Features**

Primary Product Material	Low Fire Hazard Material
Material Code	100
Material Systems Code	100

**Configuration Features**

Lipped	Yes
Adhesive Requirement	Adhesive Precoat

**Housing Features**

--	--



Body Orientation	Straight
------------------	----------

### Other

Molded Part Shape Code	202
------------------------	-----

Adhesive Code	86
---------------	----

EU RoHS Compliance	Compliant
--------------------	-----------

EU ELV Compliance	Compliant
-------------------	-----------

## Product Compliance

[For compliance documentation, visit the product page on TE.com>](#)

EU RoHS Directive 2011/65/EU	Compliant
------------------------------	-----------

EU ELV Directive 2000/53/EC	Compliant
-----------------------------	-----------

China RoHS 2 Directive MIIT Order No 32, 2016	No Restricted Materials Above Threshold
---	---

EU REACH Regulation (EC) No. 1907/2006	Current ECHA Candidate List: JUNE 2024 (241) Candidate List Declared Against: JUNE 2024 (241) Does not contain REACH SVHC
--	---

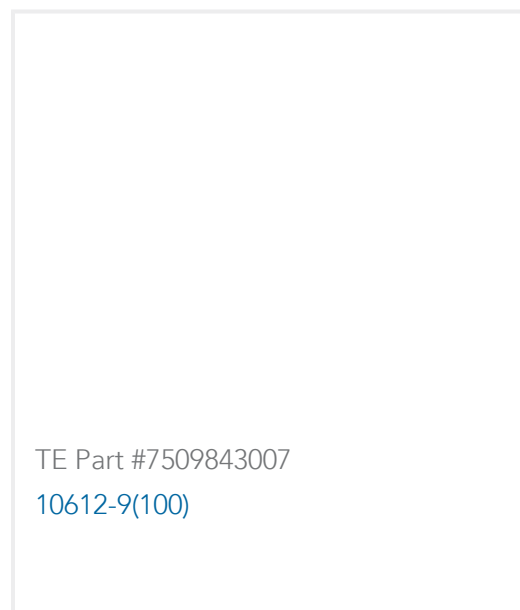
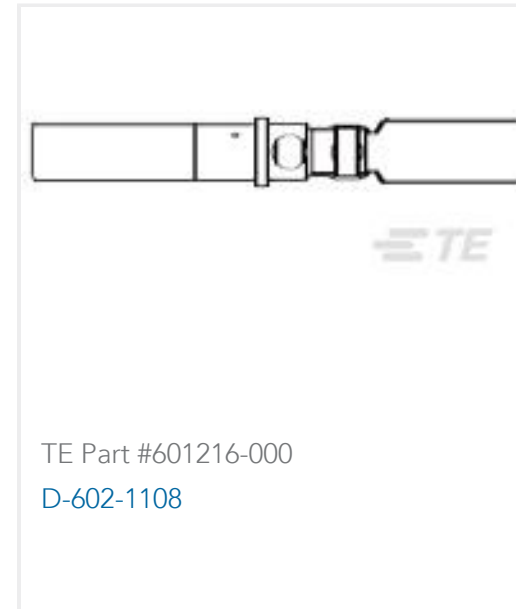
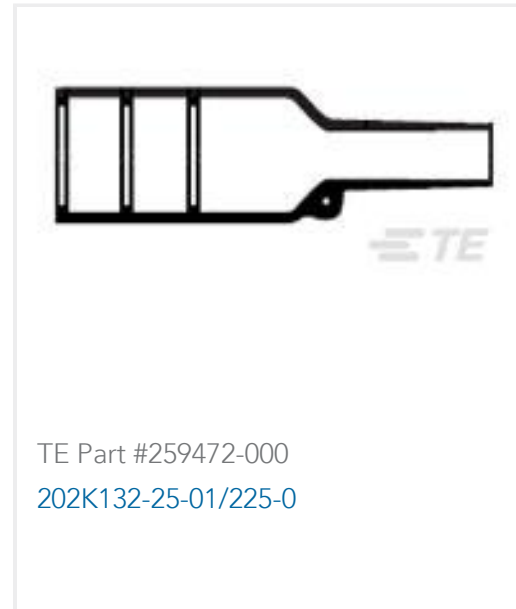
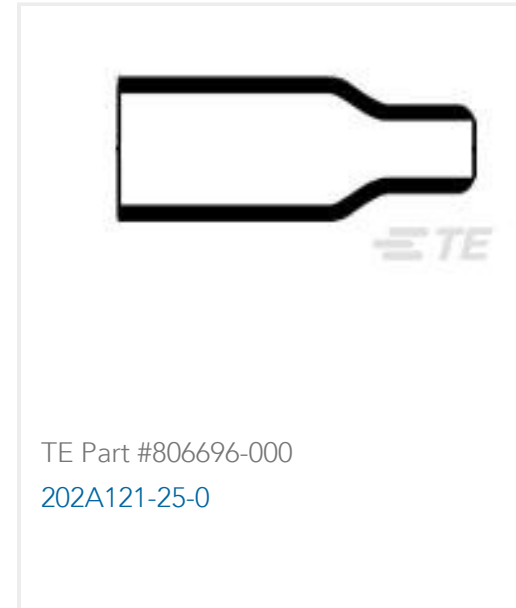
Halogen Content	Low Halogen - Br, Cl, F, I < 900 ppm per homogenous material. Also BFR/CFR/PVC Free
-----------------	---

Solder Process Capability	Not applicable for solder process capability
---------------------------	--

#### Product Compliance Disclaimer

This information is provided based on reasonable inquiry of our suppliers and represents our current actual knowledge based on the information they provided. This information is subject to change. The part numbers that TE has identified as EU RoHS compliant have a maximum concentration of 0.1% by weight in homogenous materials for lead, hexavalent chromium, mercury, PBB, PBDE, DBP, BBP, DEHP, DIBP, and 0.01% for cadmium, or qualify for an exemption to these limits as defined in the Annexes of Directive 2011/65/EU (RoHS2). Finished electrical and electronic equipment products will be CE marked as required by Directive 2011/65/EU. Components may not be CE marked. Additionally, the part numbers that TE has identified as EU ELV compliant have a maximum concentration of 0.1% by weight in homogenous materials for lead, hexavalent chromium, and mercury, and 0.01% for cadmium, or qualify for an exemption to these limits as defined in the Annexes of Directive 2000/53/EC (ELV). Regarding the REACH Regulation, the information TE provides on SVHC in articles for this part number is based on the latest European Chemicals Agency (ECHA) 'Guidance on requirements for substances in articles' posted at this URL: <https://echa.europa.eu/guidance-documents/guidance-on-reach>

## Customers Also Bought



## Documents

### Datasheets & Catalog Pages

[1654025\\_Sec4\\_-100](#)

English

### Raychem Molded Parts Visual Guide

English

### Solutions for Defense Applications Certified to VG Standards

English