



Wire & Cable > Twisted Pair Cable



Operating Temperature Range: -65 – 150 °C [-85 – 302 °F]

Cable Type: **Spec 44**

Operating Voltage: **600 VAC**

Wire & Cable Insulation Material: **Modified Radiation Cross-linked PVDF**

Conductor Material: **Tin-Coated Copper**

Features

Configuration Features

Number of Strands	19
Number of Conductors	2

Product Type Features

Cable Style	Primary
-------------	---------

Dimensions

Strand Size	38 AWG
Wire Size	26 AWG
Outside Cable Diameter	1.73 mm [.068 in]
Conductor Diameter Range	.5 mm [.02 in]

Body Features

Wire Color (Base)	Black, White
Wire & Cable Insulation Material	Modified Radiation Cross-linked PVDF
Conductor Material	Tin-Coated Copper

Usage Conditions

Operating Temperature Range	-65 – 150 °C [-85 – 302 °F]
Cable Type	Spec 44

Electrical Characteristics

--	--



Operating Voltage	600 VAC
-------------------	---------

Other

EU RoHS Compliance	Compliant
EU ELV Compliance	Compliant

Product Compliance

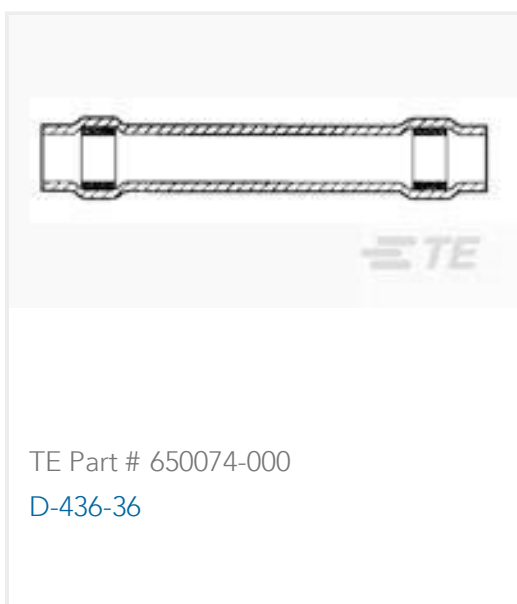
[For compliance documentation, visit the product page on TE.com>](#)

EU RoHS Directive 2011/65/EU	Compliant
EU ELV Directive 2000/53/EC	Compliant
China RoHS 2 Directive MIIT Order No 32, 2016	No Restricted Materials Above Threshold
EU REACH Regulation (EC) No. 1907/2006	Current ECHA Candidate List: JUNE 2024 (241) Candidate List Declared Against: JUNE 2024 (241) Does not contain REACH SVHC
Halogen Content	Low Bromine/Chlorine - Br and Cl < 900 ppm per homogenous material. Also BFR /CFR/PVC Free
Solder Process Capability	Not applicable for solder process capability

Product Compliance Disclaimer

This information is provided based on reasonable inquiry of our suppliers and represents our current actual knowledge based on the information they provided. This information is subject to change. The part numbers that TE has identified as EU RoHS compliant have a maximum concentration of 0.1% by weight in homogenous materials for lead, hexavalent chromium, mercury, PBB, PBDE, DBP, BBP, DEHP, DIBP, and 0.01% for cadmium, or qualify for an exemption to these limits as defined in the Annexes of Directive 2011/65/EU (RoHS2). Finished electrical and electronic equipment products will be CE marked as required by Directive 2011/65/EU. Components may not be CE marked. Additionally, the part numbers that TE has identified as EU ELV compliant have a maximum concentration of 0.1% by weight in homogenous materials for lead, hexavalent chromium, and mercury, and 0.01% for cadmium, or qualify for an exemption to these limits as defined in the Annexes of Directive 2000/53/EC (ELV). Regarding the REACH Regulation, the information TE provides on SVHC in articles for this part number is based on the latest European Chemicals Agency (ECHA) 'Guidance on requirements for substances in articles' posted at this URL: <https://echa.europa.eu/guidance-documents/guidance-on-reach>

Compatible Parts



Customers Also Bought



Documents

Product Drawings

[44A0121-26-0/9](#)

English

Datasheets & Catalog Pages

[1654025_Sec9_SPEC44](#)

English

[Raychem Wire and Cable Quick Reference Guide](#)

English