

36919-1 ✓ ACTIVE

SOLISTRAND

TE Internal #: 36919-1

TE Internal Description: STRATO-THERM,HR 1/0 1/2 NIPL

[View on TE.com >](#)



Product Compliance

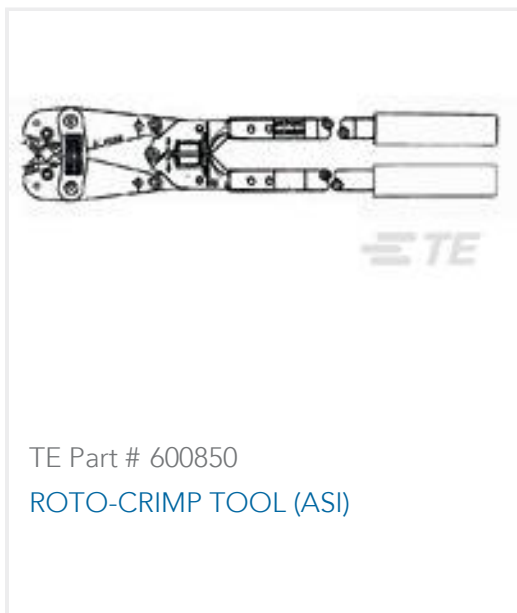
[For compliance documentation, visit the product page on TE.com>](#)

EU RoHS Directive 2011/65/EU	Compliant
EU ELV Directive 2000/53/EC	Compliant
China RoHS 2 Directive MIIT Order No 32, 2016	No Restricted Materials Above Threshold
EU REACH Regulation (EC) No. 1907/2006	Current ECHA Candidate List: JUNE 2024 (241) Candidate List Declared Against: JUNE 2024 (241) Does not contain REACH SVHC
Halogen Content	Low Halogen - Br, Cl, F, I < 900 ppm per homogenous material. Also BFR/CFR/PVC Free
Solder Process Capability	Not applicable for solder process capability

Product Compliance Disclaimer

This information is provided based on reasonable inquiry of our suppliers and represents our current actual knowledge based on the information they provided. This information is subject to change. The part numbers that TE has identified as EU RoHS compliant have a maximum concentration of 0.1% by weight in homogenous materials for lead, hexavalent chromium, mercury, PBB, PBDE, DBP, BBP, DEHP, DIBP, and 0.01% for cadmium, or qualify for an exemption to these limits as defined in the Annexes of Directive 2011/65/EU (RoHS2). Finished electrical and electronic equipment products will be CE marked as required by Directive 2011/65/EU. Components may not be CE marked. Additionally, the part numbers that TE has identified as EU ELV compliant have a maximum concentration of 0.1% by weight in homogenous materials for lead, hexavalent chromium, and mercury, and 0.01% for cadmium, or qualify for an exemption to these limits as defined in the Annexes of Directive 2000/53/EC (ELV). Regarding the REACH Regulation, the information TE provides on SVHC in articles for this part number is based on the latest European Chemicals Agency (ECHA) 'Guidance on requirements for substances in articles' posted at this URL: <https://echa.europa.eu/guidance-documents/guidance-on-reach>

Compatible Parts



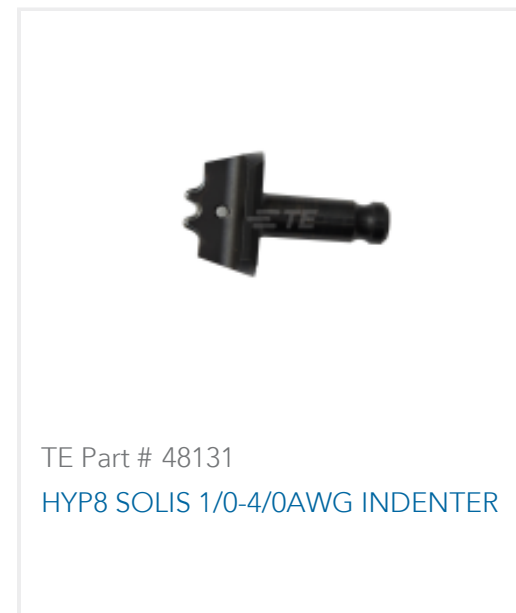
TE Part # 600850
ROTO-CRIMP TOOL (ASI)



TE Part # 45436
HYP8/10 SOLIS 1/0AWG DIE SET



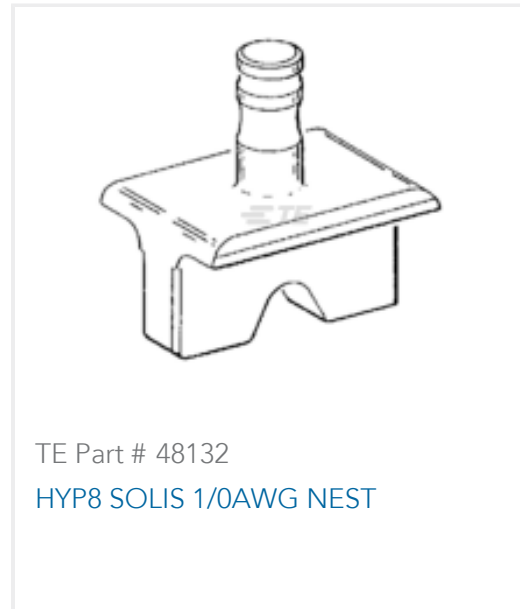
TE Part # 1490414-3
HYP10 SOLIS HD 1/0AWG INDENTER



TE Part # 48131
HYP8 SOLIS 1/0-4/0AWG INDENTER



TE Part # 1490413-5
HYP10 SOLIS 1/0AWG NEST



TE Part # 48132
HYP8 SOLIS 1/0AWG NEST

Customers Also Bought



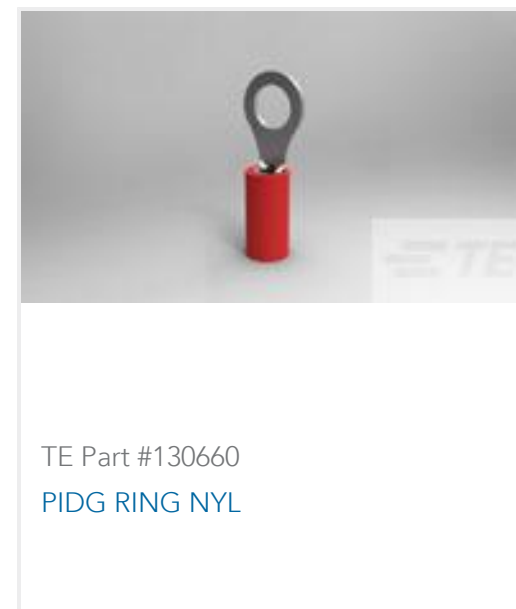
TE Part #132066-2
TERMINAL SOLISTRAND RING HR 1/0



TE Part #1577647-1
TERMINAL RT PIDG PEEK STRATO 10 AWG



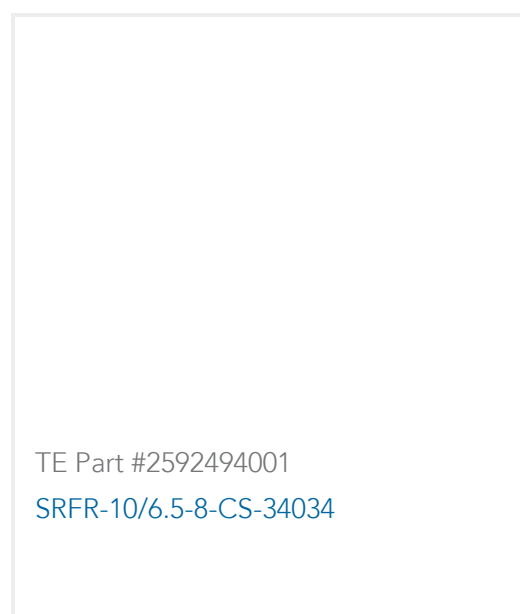
TE Part #1577621-1
TERMINAL RT PIDG PEEK STRATO 24-22 AWG



TE Part #130660
PIDG RING NYL



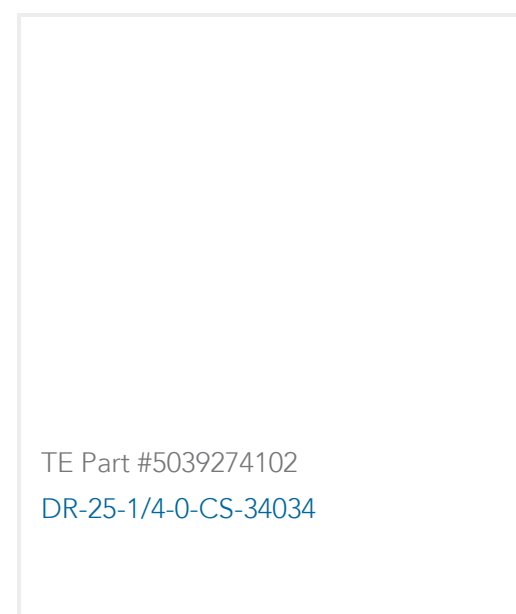
TE Part #1577637-1
TERMINAL RT PIDG PEEK STRATO 14-12 AWG



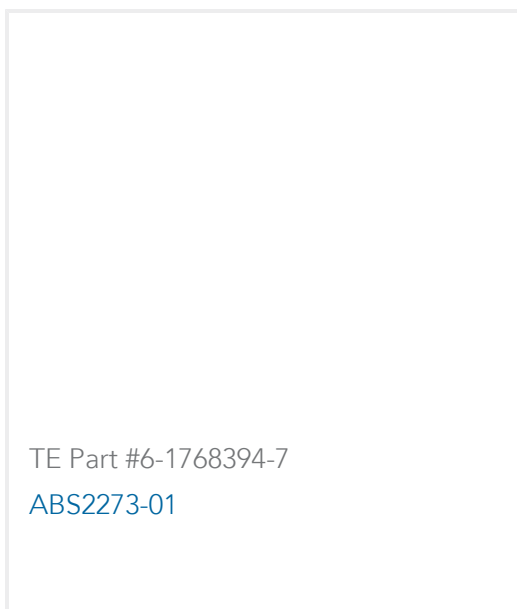
TE Part #2592494001
SRFR-10/6.5-8-CS-34034



TE Part #2226455-1
SOCKET INSERT, 16-02 CABLE APPLIED



TE Part #5039274102
DR-25-1/4-0-CS-34034



TE Part #6-1768394-7
ABS2273-01



TE Part #5960032024
TFER-1/4-X-CS-34034

Documents



Product Drawings

[STRATO-THERM,HR 1/0 1/2 NIPL](#)

English

CAD Files

Customer View Model

[ENG_CVM_CVM_36919-1_AJ.2d_dxf.zip](#)

English

3D PDF

3D

Customer View Model

[ENG_CVM_CVM_36919-1_AJ.3d_igs.zip](#)

English

Customer View Model

[ENG_CVM_CVM_36919-1_AJ.3d_stp.zip](#)

English

By downloading the CAD file I accept and agree to the [Terms and Conditions](#) of use.

Product Specifications

[Product Specification](#)

English