



Wire & Cable > Hook Up Wire > Hookup Wire: Silver Coated Copper Wire, 26-28 AWG



Cable Type: **Spec 55PC**

Operating Voltage: **600 V**

Wire & Cable Insulation Material: **Radiation-Crosslinked, Modified ETFE**

Conductor Material: **Silver-Coated High Strength Copper Alloy**

Wire Size: **26 AWG**

[All Hookup Wire: Silver Coated Copper Wire, 26-28 AWG \(9\)](#)

Features

Usage Conditions

Cable Type	Spec 55PC
Operating Temperature Range	-65 – 200 °C

Electrical Characteristics

Operating Voltage	600 V
-------------------	-------

Body Features

Wire & Cable Insulation Material	Radiation-Crosslinked, Modified ETFE
Conductor Material	Silver-Coated High Strength Copper Alloy
Wire Color (Base)	Red

Dimensions

Wire Size	26 AWG
-----------	--------

Other

EU RoHS Compliance	Compliant
EU ELV Compliance	Compliant

Product Compliance

[For compliance documentation, visit the product page on TE.com>](#)

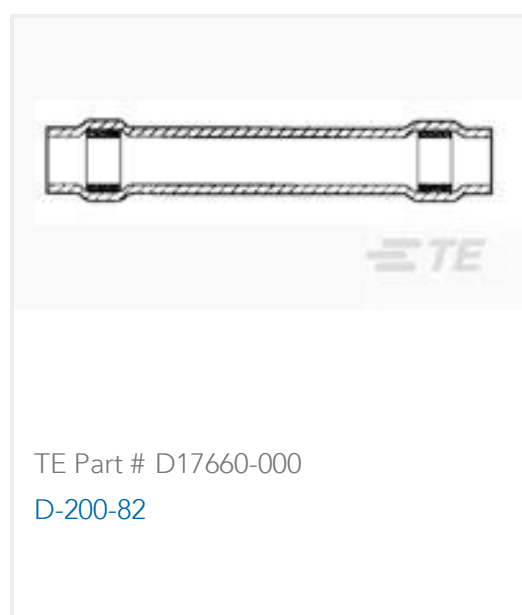


EU RoHS Directive 2011/65/EU	Compliant
EU ELV Directive 2000/53/EC	Compliant
China RoHS 2 Directive MIIT Order No 32, 2016	No Restricted Materials Above Threshold
EU REACH Regulation (EC) No. 1907/2006	Current ECHA Candidate List: JUNE 2024 (241) Candidate List Declared Against: JUNE 2024 (241) Does not contain REACH SVHC
Halogen Content	Not Yet Reviewed for halogen content
Solder Process Capability	Not applicable for solder process capability

Product Compliance Disclaimer

This information is provided based on reasonable inquiry of our suppliers and represents our current actual knowledge based on the information they provided. This information is subject to change. The part numbers that TE has identified as EU RoHS compliant have a maximum concentration of 0.1% by weight in homogenous materials for lead, hexavalent chromium, mercury, PBB, PBDE, DBP, BBP, DEHP, DIBP, and 0.01% for cadmium, or qualify for an exemption to these limits as defined in the Annexes of Directive 2011/65/EU (RoHS2). Finished electrical and electronic equipment products will be CE marked as required by Directive 2011/65/EU. Components may not be CE marked. Additionally, the part numbers that TE has identified as EU ELV compliant have a maximum concentration of 0.1% by weight in homogenous materials for lead, hexavalent chromium, and mercury, and 0.01% for cadmium, or qualify for an exemption to these limits as defined in the Annexes of Directive 2000/53/EC (ELV). Regarding the REACH Regulation, the information TE provides on SVHC in articles for this part number is based on the latest European Chemicals Agency (ECHA) 'Guidance on requirements for substances in articles' posted at this URL: <https://echa.europa.eu/guidance-documents/guidance-on-reach>

Compatible Parts



Customers Also Bought





Documents

Product Drawings

[55PC0114-26-2](#)

English

Datasheets & Catalog Pages

[Raychem Wire and Cable Quick Reference Guide](#)

English

Product Specifications

[Product Specification](#)

English