

353745-7 ✓ ACTIVE

AMP | AMP Auto Squib Products

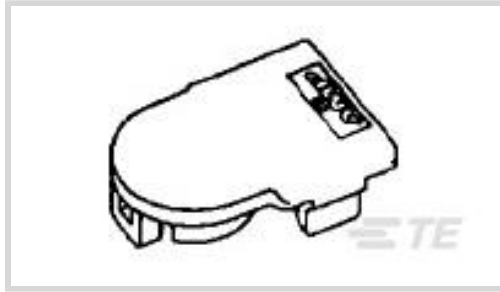
TE Internal #: 353745-7

Cover - Cable Exit, Yellow, PBT, 2 Position, -40 – 105 °C [-40 – 221 °F], AMP Auto Squib Products

[View on TE.com >](#)



Connectors > Automotive Connectors > Automotive Connector Accessories > Automotive Connector Caps & Covers



Protection & Strain Relief Accessory Type: **Cover - Cable Exit**

Strain Relief: **With**

Primary Product Color: **Yellow**

Primary Product Material: **PBT**

Number of Positions: **2**

Features

Industry Standards

UL Flammability Rating	UL 94HB
------------------------	---------

Dimensions

Compatible Cable Bundle Diameter Range	5.7 mm[.224 in]
--	-----------------

Packaging Features

Packaging Method	Bag
------------------	-----

Other

Serviceable	Yes
-------------	-----

EU RoHS Compliance	Compliant
--------------------	-----------

EU ELV Compliance	Compliant
-------------------	-----------

Product Type Features

Protection & Strain Relief Accessory Type	Cover - Cable Exit
---	--------------------

Mechanical Attachment

Strain Relief	With
---------------	------

Body Features

Primary Product Color	Yellow
-----------------------	--------

Primary Product Material	PBT
--------------------------	-----

Configuration Features

Number of Positions	2
---------------------	---

Usage Conditions

Operating Temperature (Max)	80 °C, 105 °C, 90 °C, 100 °C, 85 °C, 75 °C, 70 °C[212 °F]
Operating Temperature Range	-40 – 105 °C[-40 – 221 °F]

Product Compliance

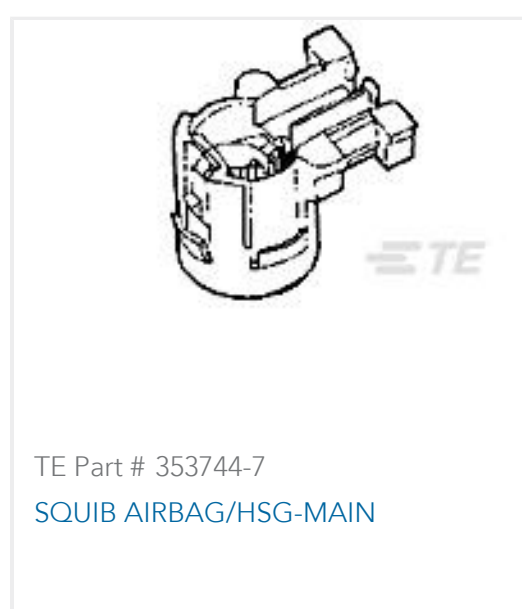
[For compliance documentation, visit the product page on TE.com>](#)

EU RoHS Directive 2011/65/EU	Compliant
EU ELV Directive 2000/53/EC	Compliant
China RoHS 2 Directive MIIT Order No 32, 2016	No Restricted Materials Above Threshold
EU REACH Regulation (EC) No. 1907/2006	Current ECHA Candidate List: JUNE 2024 (241) Candidate List Declared Against: JUNE 2024 (241) Does not contain REACH SVHC
Halogen Content	BFR/CFR/PVC Free, but Br/Cl >900 ppm in other sources.
Solder Process Capability	Not applicable for solder process capability

Product Compliance Disclaimer

This information is provided based on reasonable inquiry of our suppliers and represents our current actual knowledge based on the information they provided. This information is subject to change. The part numbers that TE has identified as EU RoHS compliant have a maximum concentration of 0.1% by weight in homogenous materials for lead, hexavalent chromium, mercury, PBB, PBDE, DBP, BBP, DEHP, DIBP, and 0.01% for cadmium, or qualify for an exemption to these limits as defined in the Annexes of Directive 2011/65/EU (RoHS2). Finished electrical and electronic equipment products will be CE marked as required by Directive 2011/65/EU. Components may not be CE marked. Additionally, the part numbers that TE has identified as EU ELV compliant have a maximum concentration of 0.1% by weight in homogenous materials for lead, hexavalent chromium, and mercury, and 0.01% for cadmium, or qualify for an exemption to these limits as defined in the Annexes of Directive 2000/53/EC (ELV). Regarding the REACH Regulation, the information TE provides on SVHC in articles for this part number is based on the latest European Chemicals Agency (ECHA) 'Guidance on requirements for substances in articles' posted at this URL: <https://echa.europa.eu/guidance-documents/guidance-on-reach>

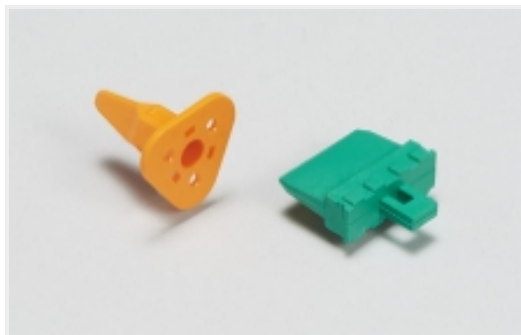
Compatible Parts



Also in the Series | [AMP Auto Squib Products](#)



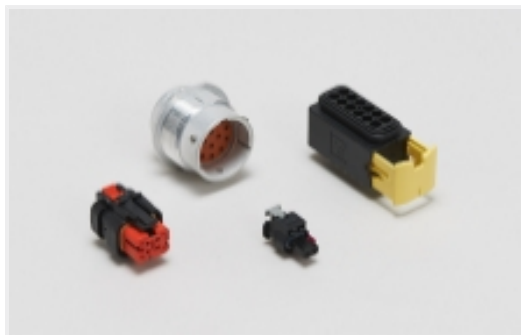
Automotive Connector Caps & Covers (2)



Automotive Connector Locks & Position Assurance(5)



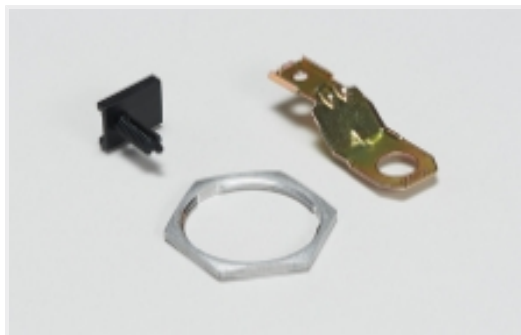
Automotive Headers(1)



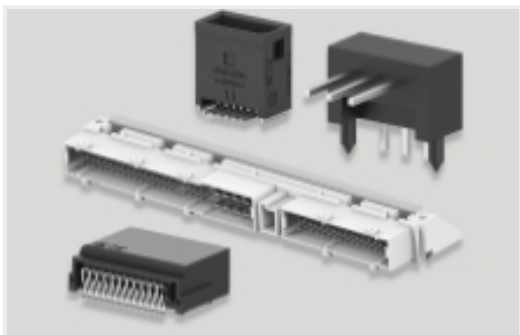
Automotive Housings(12)



Connector Contacts(1)



Other Automotive Connector Accessories(19)



PCB Headers & Receptacles(1)



Power Contacts(1)

Customers Also Bought



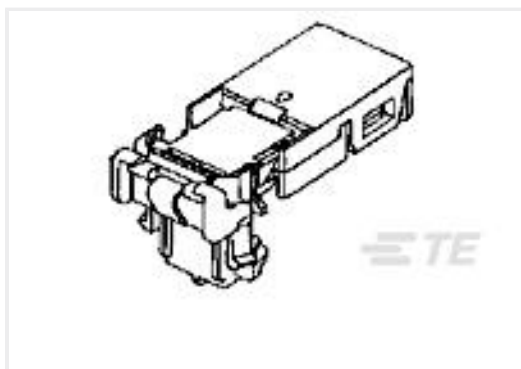
TE Part #353376-3
SQUIB CONT 1MM PIN DIA SOCKET



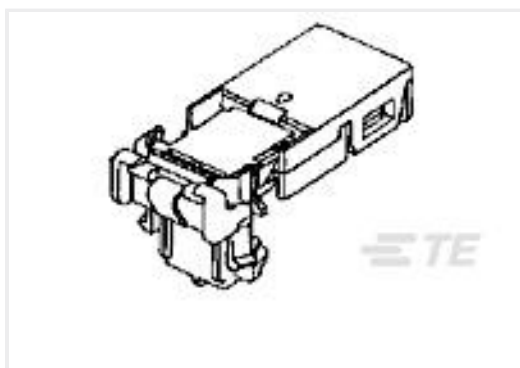
TE Part #1612124-8
1DIA SOCKET AU



TE Part #1674311-7
0.64 III RCPT 3 Serrations Pre-Tin



TE Part #1612120-1
11DIA SQUIB SLIM MK-2 PLUG HSG



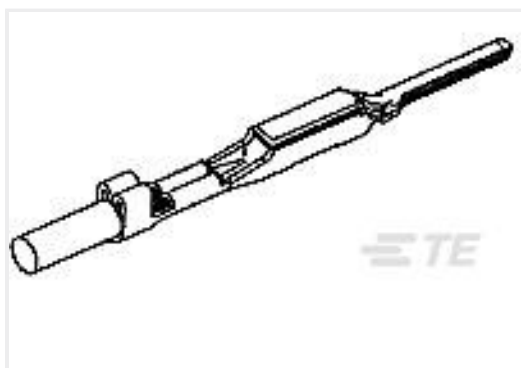
TE Part #1612120-3
11DIA SQUIB SLIM MK-2 PLUG HSG



TE Part #353744-1
FIX-IN SQUIB CONN HSG-MAIN BK



TE Part #353744-7
SQUIB AIRBAG/HSG-MAIN



TE Part #353537-2
040-3 UNSEALED CONT.TAB(S)GOLD



TE Part #1318774-2
025 ECU PLUG HSG ASY 12P BLACK



TE Part #353746-1
SQUIB AIRBAG /FERRITE

Documents



Product Drawings

SQUIB AIRBAG/HSG-LID

English

CAD Files

3D PDF

English

Customer View Model

[ENG_CVM_353745-7_A1.3d_igs.zip](#)

English

Customer View Model

[ENG_CVM_353745-7_A1.3d_stp.zip](#)

English

Customer View Model

[ENG_CVM_353745-7_A1.2d_dxf.zip](#)

English

By downloading the CAD file I accept and agree to the [Terms and Conditions](#) of use.

Product Specifications

Product Specification

Japanese

Product Specification

Japanese

Instruction Sheets

Instruction Sheet (non U.S.)

English