

35115 ✓ ACTIVE

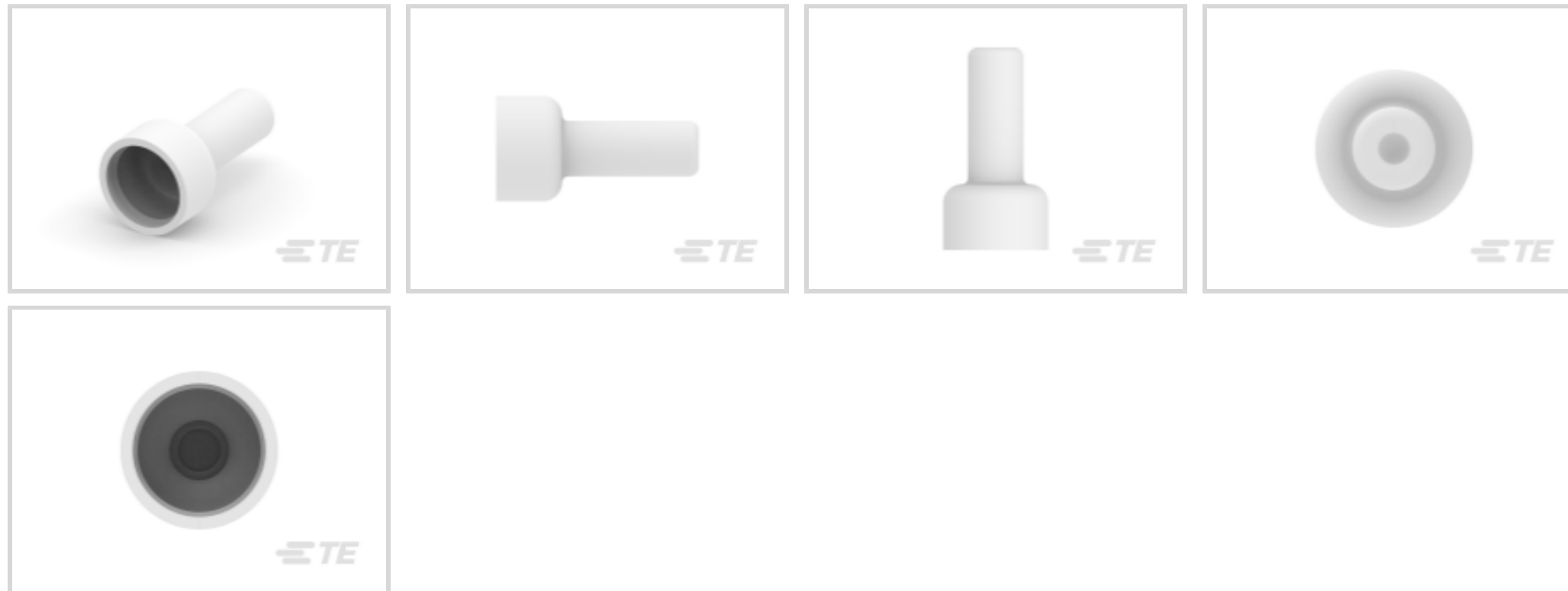
TE Internal #: 35115

Closed End Splice, 22 – 14 AWG, .3 – 2 mm² Wire, Serrated, .509 – 5.18 kcmil, 509 – 5180 CMA, Copper, 17.27 mm [.68 in] Length, Loose Piece

[View on TE.com >](#)



Terminals & Splices > Splices



Splice Type: **Closed End Splice**

Wire Size: **.3 – 2 mm²**

Sealable: **No**

Splice Features: **Serrated**

Features

Identification Marking

Splice Marking	ECN
----------------	-----

Packaging Features

Packaging Quantity	1000
--------------------	------

Packaging Method	Loose Piece
------------------	-------------

Contact Features

Terminal Plating Material	Tin
---------------------------	-----

Contact Base Material	Copper
-----------------------	--------

Barrel Type	Closed
-------------	--------

Body Features

Product Weight	.554 g
----------------	--------

Insulation Material	Nylon
---------------------	-------

Splice Features	Serrated
-----------------	----------

Product Type Features

Splice Accessory Type	Splice
-----------------------	--------

Splice Type	Closed End Splice
-------------	-------------------



Sealable	No
Compatible With Discrete Wire Type	Solid, Stranded
Wire Insulation Support Retention Type	Insulation Support

Configuration Features

Compatible With Wire & Cable Type	Discrete Wire
-----------------------------------	---------------

Dimensions

Wire Size	.509 – 5.18 kcmil
Compatible Insulation Diameter Range	6.35 mm[.25 in]
Terminal Material Thickness	.45 mm[.018 in]
Product Length	17.27 mm[.68 in]

Usage Conditions

Insulation Option	Fully Insulated
-------------------	-----------------

Operation/Application

Compatible With Wire Base Material	Copper
------------------------------------	--------

Industry Standards

Government Qualified Splice	No
-----------------------------	----

Other

EU RoHS Compliance	Compliant
EU ELV Compliance	Compliant

Product Compliance

[For compliance documentation, visit the product page on TE.com>](#)

EU RoHS Directive 2011/65/EU	Compliant
EU ELV Directive 2000/53/EC	Compliant
China RoHS 2 Directive MIIT Order No 32, 2016	No Restricted Materials Above Threshold
EU REACH Regulation (EC) No. 1907/2006	Current ECHA Candidate List: JUNE 2024 (241) Candidate List Declared Against: JUNE 2024 (241) Does not contain REACH SVHC
Halogen Content	Low Halogen - Br, Cl, F, I < 900 ppm per homogenous material. Also BFR/CFR/PVC Free
Solder Process Capability	Not applicable for solder process capability

Product Compliance Disclaimer

This information is provided based on reasonable inquiry of our suppliers and represents our current actual knowledge based on the information they provided. This information is subject to change. The part numbers that TE has identified as EU RoHS compliant have a maximum concentration of 0.1% by weight in homogenous materials for lead, hexavalent chromium, mercury, PBB, PBDE, DBP, BBP, DEHP, DIBP, and 0.01% for cadmium, or qualify for an exemption to these limits as defined in the Annexes of Directive 2011/65/EU (RoHS2). Finished electrical and electronic equipment products will be CE marked as required by Directive 2011/65/EU. Components may not be CE marked. Additionally, the part numbers that TE has identified as EU ELV compliant have a maximum concentration of 0.1% by weight in homogenous materials for lead, hexavalent chromium, and mercury, and 0.01% for cadmium, or qualify for an exemption to these limits as defined in the Annexes of Directive 2000/53/EC (ELV). Regarding the REACH Regulation, the information TE provides on SVHC in articles for this part number is based on the latest European Chemicals Agency (ECHA) 'Guidance on requirements for substances in articles' posted at this URL: <https://echa.europa.eu/guidance-documents/guidance-on-reach>

Compatible Parts



TE Part # 5-1377173-8
SMP 0-0035115-0



TE Part # 217212-1
PRO-CR ASSY, CES



TE Part # 45216
DAHT AMP CLOSED END SPLICES 22-14 ASSY

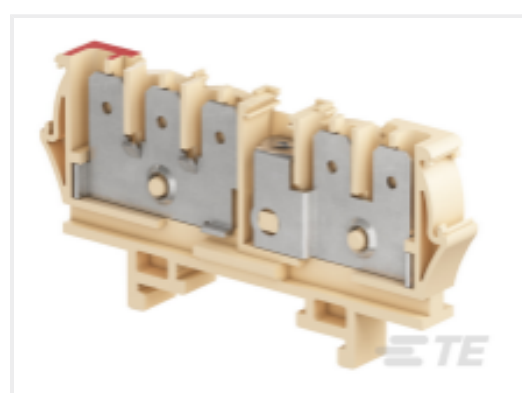


TE Part # 217212-2
PRO-CR DIE, CES



TE Part # 48208
DAHT CLOSED END SPLICES 22-10 ASSY

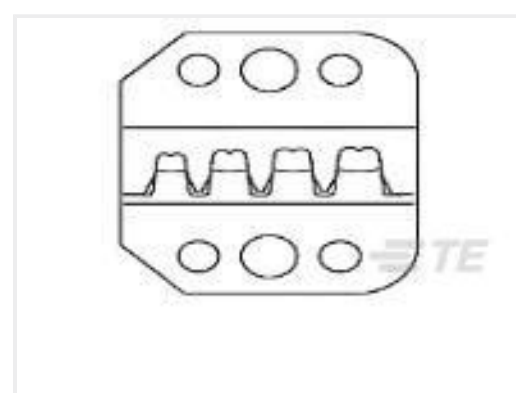
Customers Also Bought



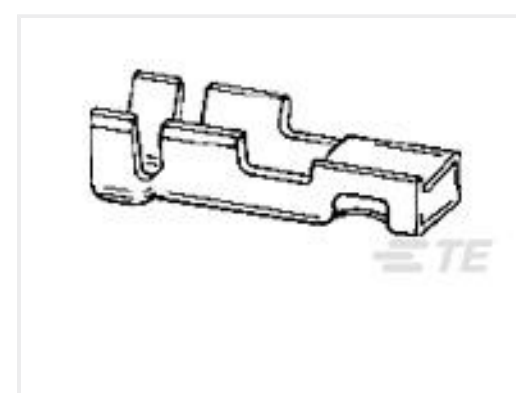
TE Part #1SNA400768R2700
HD 6/7.2G-3G



TE Part #2377783-1
36POS,AMP MCP 1.5K,TAB HSG ASSY, UNSLD



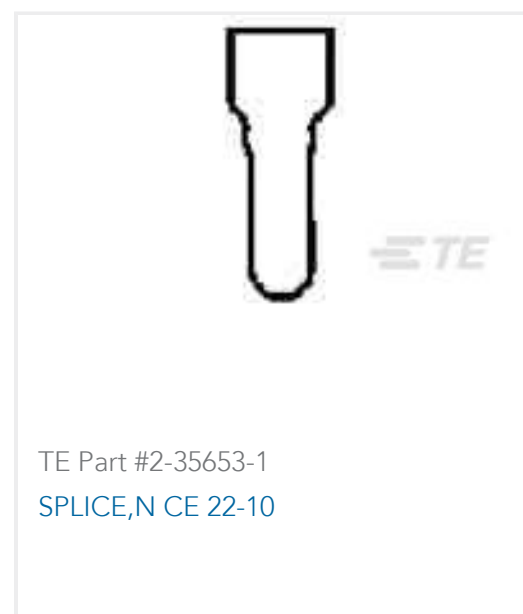
TE Part #217212-2
PRO-CR DIE, CES



TE Part #925667-1
AM WIRE PIN 17-13 .0126 BR



TE Part #2217484-1
KIT, BTLI, HEAVY HEAD



TE Part #2-35653-1
SPLICE,N CE 22-10



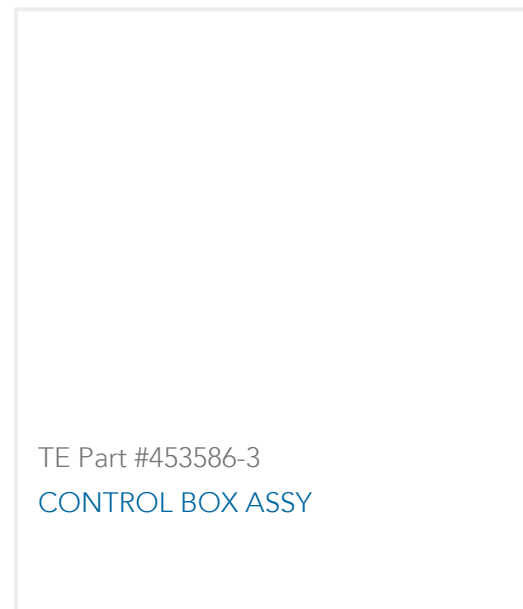
TE Part #6609020-5
3EB1=F7102 S0



TE Part #3-643816-7
07P MTA100 CONN ASSY POL RIB



TE Part #2217481-1
KIT, BTLI, SDE CLOSED HEAD



TE Part #453586-3
CONTROL BOX ASSY

Documents

Product Drawings

SPLICE,N CE 22-14

English

CAD Files

Customer View Model

[ENG_CVM_CVM_35115_AH.2d_dxf.zip](#)

English

3D PDF

3D

Customer View Model

[ENG_CVM_CVM_35115_AH.3d_igs.zip](#)

English

Customer View Model

[ENG_CVM_CVM_35115_AH.3d_stp.zip](#)

English

By downloading the CAD file I accept and agree to the [Terms and Conditions](#) of use.

Product Specifications

Application Specification

English

Instruction Sheets

Instruction Sheet (U.S.)

English

Agency Approvals

Agency Approval Document

35115

Closed End Splice, 22 – 14 AWG, .3 – 2 mm² Wire, Serrated, .509 – 5.18 kcmil, 509 – 5180 CMA, Copper, 17.27 mm [.68 in] Length, Loose Piece



English