



AMP

TE Internal #: 350666-1

Receptacle Contact, Tin, 250 VAC, 250 VDC, 24 – 18 AWG, .12 – .8 mm² Wire, 236.823 – 1578.82 CMA, Crimp, Phosphor Bronze, Power & Signal

[View on TE.com >](#)

Connectors > Contacts > Connector Contacts



Contact Type: **Receptacle**

Contact Mating Area Plating Material: **Tin**

Wire Contact Termination Area Plating Material: **Pre-Tin**

Operating Voltage: **250 VDC**

Features

Mechanical Attachment

Wire Insulation Support	With
-------------------------	------

Packaging Features

Packaging Method	Bag & Box
------------------	-----------

Dimensions

Compatible Insulation Diameter Range	.64 – 2.92 mm [.05 – .115 in]
Wire Size	236.823 – 1578.82 CMA

Contact Features

Contact Orientation	Straight
Mating Pin Diameter	1.49 mm [.059 in]
Contact Fabrication	Stamped & Formed
Contact Mating Area Plating Material Thickness	.4 μm [15.75 μin]
Wire Contact Termination Area Plating Material Finish	Matte
Wire Contact Termination Area Plating Thickness	.4 μm [15.74 μin]
Contact Type	Receptacle



Contact Mating Area Plating Material	Tin
Wire Contact Termination Area Plating Material	Pre-Tin
Contact Retention Within Housing	With
Contact Base Material	Phosphor Bronze
Contact Current Rating (Max)	9 A

Electrical Characteristics

Operating Voltage	250 VDC
-------------------	---------

Product Type Features

Sealable	No
----------	----

Termination Features

Termination Method to Wire & Cable	Crimp
Product Terminates To	Wire & Cable

Usage Conditions

Operating Temperature Range	-55 – 85 °C[-67 – 185 °F]
-----------------------------	---------------------------

Operation/Application

Circuit Application	Power & Signal
---------------------	----------------

Other

EU RoHS Compliance	Compliant
EU ELV Compliance	Compliant

Product Compliance

[For compliance documentation, visit the product page on TE.com>](#)

EU RoHS Directive 2011/65/EU	Compliant
EU ELV Directive 2000/53/EC	Compliant
China RoHS 2 Directive MIIT Order No 32, 2016	No Restricted Materials Above Threshold
EU REACH Regulation (EC) No. 1907/2006	Current ECHA Candidate List: JUNE 2024 (241) Candidate List Declared Against: JUNE 2024 (241) Does not contain REACH SVHC
Halogen Content	Low Halogen - Br, Cl, F, I < 900 ppm per homogenous material. Also BFR/CFR/PVC Free
Solder Process Capability	Not applicable for solder process capability

Product Compliance Disclaimer

This information is provided based on reasonable inquiry of our suppliers and represents our current actual knowledge based on the information they provided. This information is subject to change. The part numbers that TE has identified as EU RoHS compliant have a maximum concentration of 0.1% by weight in homogenous materials for lead, hexavalent chromium, mercury, PBB, PBDE, DBP, BBP, DEHP, DIBP, and 0.01% for cadmium, or qualify for an exemption to these limits as defined in the Annexes of Directive 2011/65/EU (RoHS2). Finished electrical and electronic equipment products will be CE marked as required by Directive 2011/65/EU. Components may not be CE marked. Additionally, the part numbers that TE has identified as EU ELV compliant have a maximum concentration of 0.1% by weight in homogenous materials for lead, hexavalent chromium, and mercury, and 0.01% for cadmium, or qualify for an exemption to these limits as defined in the Annexes of Directive 2000/53/EC (ELV). Regarding the REACH Regulation, the information TE provides on SVHC in articles for this part number is based on the latest European Chemicals Agency (ECHA) 'Guidance on requirements for substances in articles' posted at this URL: <https://echa.europa.eu/guidance-documents/guidance-on-reach>

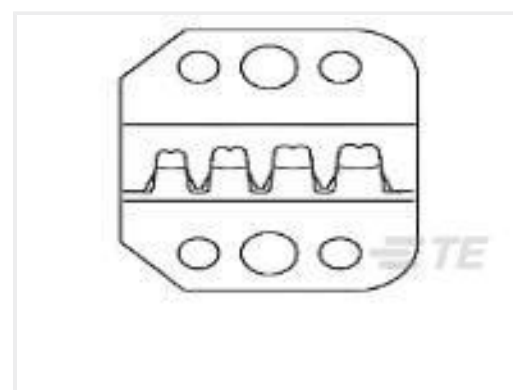
Compatible Parts



TE Part # 91526-1
CCII MR II+ REC 26-18 ASSY

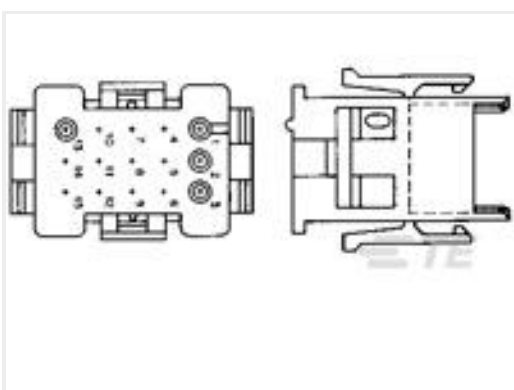


TE Part # 58514-1
PROCrimp TL W/DIE MR26-18



TE Part # 58514-2
PROCrimp DIE MR26-18

Customers Also Bought



TE Part #1-640511-0
09P MR II CAP HSG V0



TE Part #130126
PG RING



TE Part #CAT-P592-R472A
PIDG Ring Tongue Terminals



TE Part #T2070011008-000
DAM-08



TE Part #1-480706-0
09P UMNL PLUG HSG NATL



TE Part #350547-1
UMNL PIN 20-14 PTPBR L/P

Documents

Product Drawings
M.R.RECEPTACLE

English



CAD Files

3D PDF

3D

Customer View Model

[ENG_CVM_CVM_350666-1_O.2d_dxf.zip](#)

English

Customer View Model

[ENG_CVM_CVM_350666-1_O.3d_igs.zip](#)

English

Customer View Model

[ENG_CVM_CVM_350666-1_O.3d_stp.zip](#)

English

Customer View Model

[ENG_CVM_350666-1_S2.3d_igs.zip](#)

English

Customer View Model

[ENG_CVM_350666-1_S2.3d_stp.zip](#)

English

Customer View Model

[ENG_CVM_350666-1_S2.2d_dxf.zip](#)

English

3D PDF

English

By downloading the CAD file I accept and agree to the [Terms and Conditions](#) of use.

Product Specifications

Application Specification

English

Instruction Sheets

Instruction Sheet (U.S.)

English

Hand Crimping Tool 90325-1

English