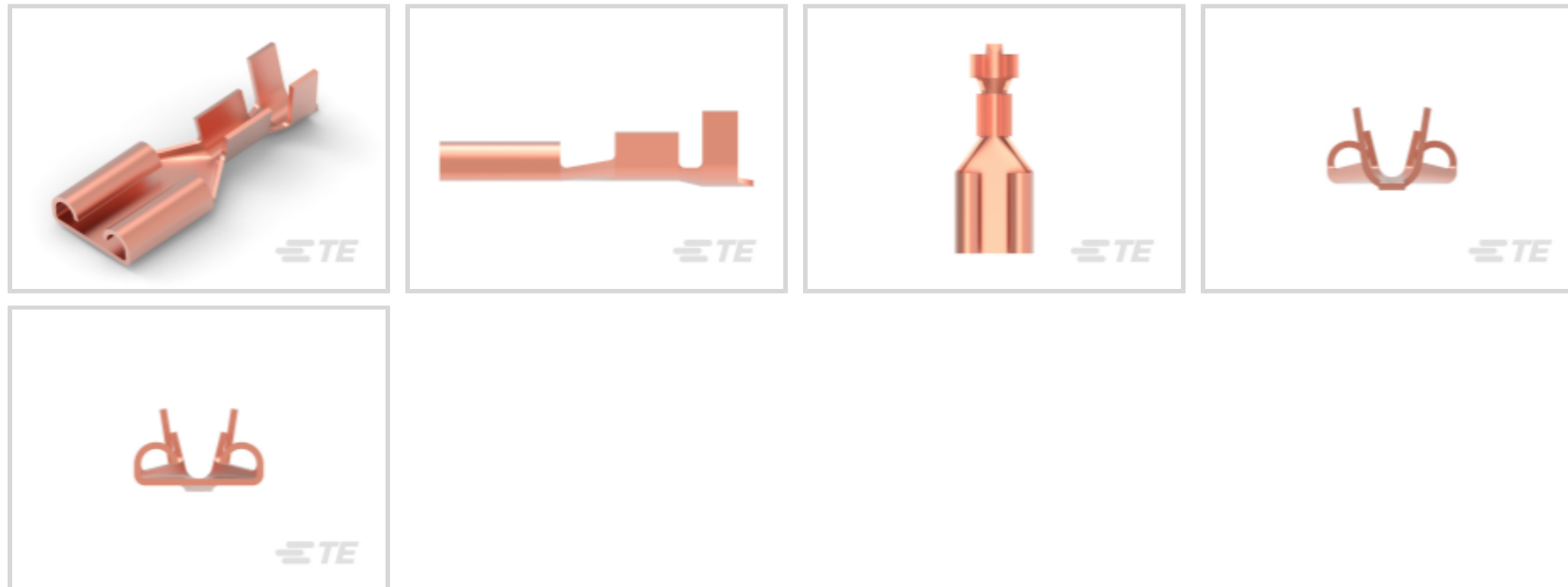




Terminals &amp; Splices &gt; Quick Disconnects

Quick Disconnect Terminal Type: **Receptacle**Wire Size: .51 – 1.65 mm<sup>2</sup>

Mating Tab Width: 6.35 mm [ .25 in ]

Mating Tab Thickness: .81 mm [ .032 in ]

## Features

### Product Type Features

Insertion Force	Low
-----------------	-----

### Configuration Features

Compatible With Wire & Cable Type	Discrete Wire
Connection Capacity	Single

### Contact Features

Quick Disconnect Terminal Type	Receptacle
Mating Tab Width	6.35 mm [.25 in]
Mating Tab Thickness	.81 mm [.032 in]
Terminal Orientation	Straight
Contact Base Material	Phosphor Bronze
Terminal Plating Material	Unplated
Crimp Type	F-Crimp
Barrel Type	Open

### Termination Features

Product Terminates To	Wire & Cable
-----------------------	--------------

### Mechanical Attachment

Wire Insulation Support	With
Mating Retention Type	Dimple
Extraction Force	5.8 kgf

### Dimensions

Product Length	19.2 mm[.755 in]
Compatible Insulation Diameter Range	2.2 – 3.1 mm[.087 – .122 in]
Terminal Material Thickness	.41 mm[.016 in]
Wire Size	.51 – 1.65 mm <sup>2</sup>

### Usage Conditions

Insulation Option	Uninsulated
Operating Temperature Range	-40 – 110 °C[-40 – 230 °F]

### Industry Standards

Compatible With Agency/Standards Products	UL
---	----

### Packaging Features

Packaging Quantity	6000
Packaging Method	Strip/Reel

### Other

Line	FASTON .250
------	-------------

## Product Compliance

[For compliance documentation, visit the product page on TE.com>](#)

EU RoHS Directive 2011/65/EU	Compliant
EU ELV Directive 2000/53/EC	Compliant
China RoHS 2 Directive MIIT Order No 32, 2016	有害物质含量符合标准要求 No Restricted Substance(s) Above Threshold
EU REACH Regulation (EC) No. 1907/2006	Current ECHA Candidate List: JUNE 2025 (250) Candidate List Declared Against: JUNE 2025 (250) Does not contain REACH SVHC
Halogen Content	Low Halogen - Br, Cl, F < 900 ppm per homogenous material. Also BFR/CFR/PVC Free
Solder Process Capability	Not applicable for solder process capability

#### Product Compliance Disclaimer

This information is provided based on reasonable inquiry of our suppliers and represents our current actual knowledge based on the information they provided. This information is subject to change. The part numbers that TE has identified as EU RoHS compliant have a maximum concentration of 0.1% by weight in homogenous materials for lead, hexavalent chromium, mercury, PBB, PBDE, DBP, BBP, DEHP, DIBP, and 0.01% for cadmium, or qualify for an exemption to these limits as defined in the Annexes of Directive 2011/65/EU (RoHS2). Finished electrical and electronic equipment products will be CE marked as required by Directive 2011/65/EU. Components may not be CE marked. Additionally, the part numbers that TE has identified as EU ELV compliant have a maximum concentration of 0.1% by weight in homogenous materials for lead, hexavalent chromium, and mercury, and 0.01% for cadmium, or qualify for an exemption to these limits as defined in the Annexes of Directive 2000/53/EC (ELV). Regarding the REACH Regulation, the information TE provides on SVHC in articles for this part number is based on the latest European Chemicals Agency (ECHA) 'Guidance on requirements for substances in articles' posted at this URL: <https://echa.europa.eu/guidance-documents/guidance-on-reach>

## Compatible Parts



TE Part # 188120-7  
250 FASTON,REC.,20-17 AWG,TPPB



TE Part # 42510-1  
250 FASTON REC 22-18 AWG BR



TE Part # 170032-2  
250 FASTON,REC.,20-14 AWG,BR



TE Part # 63609-1  
250 FASTON REC 22-18 AWG BR



TE Part # 2238027-3  
250 FASTON,REC.,22-18 AWG,BR



TE Part # 63306-1  
250 FASTON REC 18-14 AWG BR



TE Part # 170032-1  
250 FASTON,REC.,20-14 AWG,BR



TE Part # 346697-2  
250 FASTON,REC.,20-16 AWG,TPBR



TE Part # 42743-1  
250 FASTON REC 22-18 AWG BR



TE Part # 61202-1  
250 FASTON REC 26-22 AWG BR

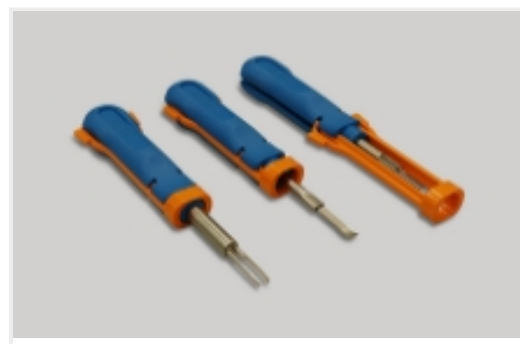
Also in the Series | **FASTON 250**



Compression Connectors(4)



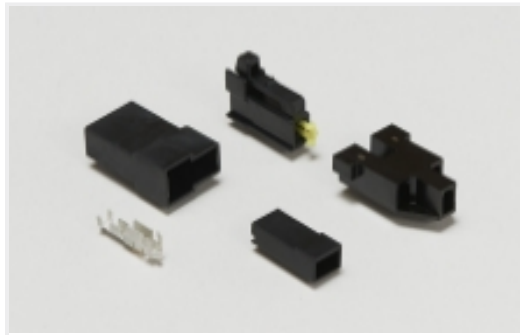
Crimp Terminal Housings(115)



Insertion & Extraction Tools(6)



Insulation Boots & Sleeves(16)



Magnet Wire Terminals(1)



PCB Terminals(133)



Quick Disconnects(412)



Splices(4)

## Customers Also Bought



TE Part #CAT-D48-ST273  
DEUTSCH Connector Solid Contacts



TE Part #CAT-D487-W416  
Wedgelocks: DEUTSCH DT



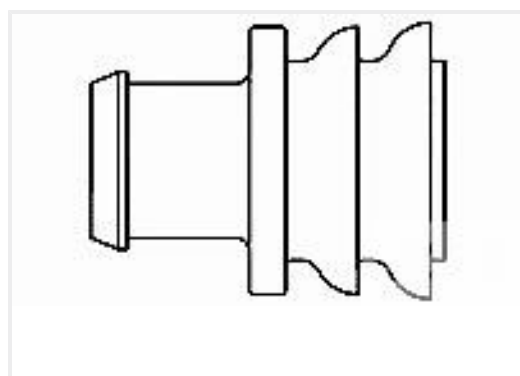
TE Part #DT06-2S  
PLG, 2P, GRY, N



TE Part #DT04-2P  
REC, 2P, GRY, N



TE Part #114017-ZZ  
SEALING PLUG, SIZE 12/16, WHT



TE Part #281934-2  
SINGLE WIRE SEAL



TE Part #CAT-AM71-CH8172  
AMP SUPERSEAL 1.5MM,  
CONNECTOR HOUSING

## Documents

### Product Drawings

250 FASTON,REC.,20-16 AWG,PB

English

### CAD Files

3D PDF

3D

Customer View Model

ENG\_CVM\_CVM\_346697-3\_A.2d\_dxf.zip



English

Customer View Model

[ENG\\_CVM\\_CVM\\_346697-3\\_A.3d\\_igs.zip](#)

English

Customer View Model

[ENG\\_CVM\\_CVM\\_346697-3\\_A.3d\\_stp.zip](#)

English

By downloading the CAD file I accept and agree to the [Terms and Conditions](#) of use.

### Product Specifications

[EB\\*\\*Crimping 250 Series Low Insertion Force FASTON \(Single & Double Wire\)](#)

English

[Application Specification](#)

English

[Application Specification](#)

English