

346100-4 ✓ ACTIVE

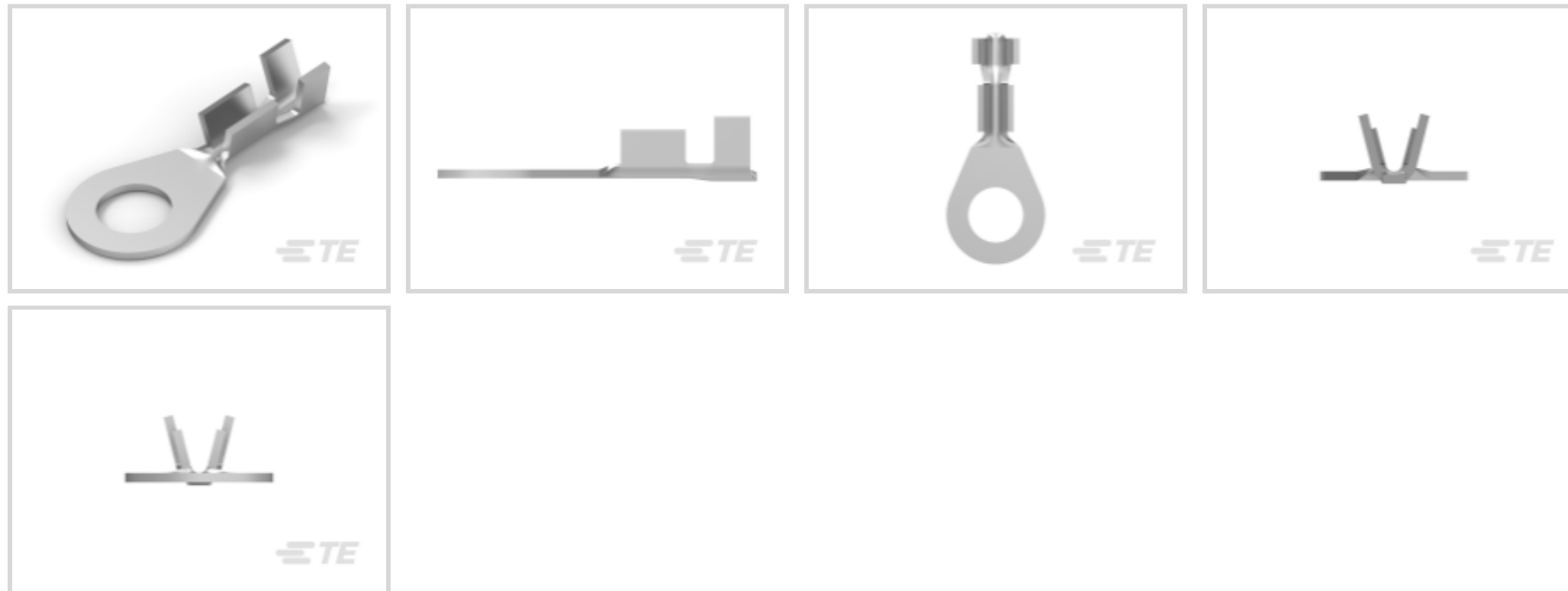
TE Internal #: 346100-4

Closed Ring Tongue Terminal, 20 – 16 AWG, #8 / M4 Stud, 5.3 mm
[.208 in] Stud Diameter, Open Barrel, Straight, Tin Plating,
Uninsulated

[View on TE.com >](#)



Terminals & Splices > Ring Terminals



Ring Terminal Product Type: **Closed Ring Tongue Terminal**

Wire Size: **.5 – 1 mm²**

Stud Size: **#8, M4**

Stud Diameter: **5.3 mm [.208 in]**

Features

Body Features

| | |
|----------------|--------|
| Product Weight | .642 g |
|----------------|--------|

Mechanical Attachment

| | |
|-------------------------|------|
| Wire Insulation Support | With |
|-------------------------|------|

Electrical Characteristics

| | |
|----------------|-------|
| Voltage Rating | 250 V |
|----------------|-------|

Packaging Features

| | |
|--------------------|------------|
| Packaging Quantity | 2500 |
| Packaging Method | Strip/Reel |

Contact Features

| | |
|-------------------------------|----------|
| Contact Base Material | Copper |
| Barrel Type | Open |
| Terminal Orientation | Straight |
| Terminal Plating Material | Tin |
| Contact Underplating Material | None |

Dimensions



| | |
|--------------------------------------|------------------------------------|
| | .055 in |
| Wire Size | .5 – 1 mm ² |
| Stud Diameter | 5.3 mm [.208 in] |
| Tongue Thickness | .6 mm [.024 in] |
| Product Length | 21.75 mm [.856 in] |
| Barrel Inside Diameter | 1.1 mm, 1.8 mm [.043 in] [.071 in] |
| Compatible Insulation Diameter (Max) | 2.11 mm [.083 in] |
| Compatible Insulation Diameter Range | 1.4 – 2.1 mm [.055 – .083 in] |

Product Type Features

| | |
|--|-----------------------------|
| Shape Description | Anti-Rotational/Grounding |
| Terminal Features | Sheared |
| Ring Terminal Product Type | Closed Ring Tongue Terminal |
| Stud Size | #8, M4 |
| Sealable | No |
| Compatible With Discrete Wire Type | Stranded |
| Wire Insulation Support Retention Type | Insulation Support |

Usage Conditions

| | |
|-----------------------------|-----------------------------|
| Insulation Option | Uninsulated |
| Operating Temperature Range | -40 – 110 °C [-40 – 230 °F] |

Operation/Application

| | |
|------------------------------------|--------|
| Compatible With Wire Base Material | Copper |
|------------------------------------|--------|

Other

| | |
|--------------------|-----------|
| EU RoHS Compliance | Compliant |
| EU ELV Compliance | Compliant |

Product Compliance

[For compliance documentation, visit the product page on TE.com>](#)

| | |
|---|--|
| EU RoHS Directive 2011/65/EU | Compliant |
| EU ELV Directive 2000/53/EC | Compliant |
| China RoHS 2 Directive MIIT Order No 32, 2016 | No Restricted Materials Above Threshold |
| EU REACH Regulation (EC) No. 1907/2006 | Current ECHA Candidate List: JUNE 2024 (241) |



Candidate List Declared Against: JUNE 2024 (241)

Does not contain REACH SVHC

Halogen Content

Low Halogen - Br, Cl, F, I < 900 ppm per homogenous material. Also BFR/CFR/PVC Free

Solder Process Capability

Not reviewed for solder process capability

Product Compliance Disclaimer

This information is provided based on reasonable inquiry of our suppliers and represents our current actual knowledge based on the information they provided. This information is subject to change. The part numbers that TE has identified as EU RoHS compliant have a maximum concentration of 0.1% by weight in homogenous materials for lead, hexavalent chromium, mercury, PBB, PBDE, DBP, BBP, DEHP, DIBP, and 0.01% for cadmium, or qualify for an exemption to these limits as defined in the Annexes of Directive 2011/65/EU (RoHS2). Finished electrical and electronic equipment products will be CE marked as required by Directive 2011/65/EU. Components may not be CE marked. Additionally, the part numbers that TE has identified as EU ELV compliant have a maximum concentration of 0.1% by weight in homogenous materials for lead, hexavalent chromium, and mercury, and 0.01% for cadmium, or qualify for an exemption to these limits as defined in the Annexes of Directive 2000/53/EC (ELV). Regarding the REACH Regulation, the information TE provides on SVHC in articles for this part number is based on the latest European Chemicals Agency (ECHA) 'Guidance on requirements for substances in articles' posted at this URL: <https://echa.europa.eu/guidance-documents/guidance-on-reach>

Compatible Parts

TE Part # 160252-2
RING TONGUE IS AUTOMATIC 0.5-1.43MM2TPBR

TE Part # 160434-2
RING TONGUE I.S.

TE Part # 640051-1
RING TONGUE .164 18-14 AWG SST

TE Part # 173636-1
RING TERMINAL 22-16 AWG 0.622X11.3 TPCP

TE Part # 62613-3
RING .190 12-10 AWG 024 TPCU

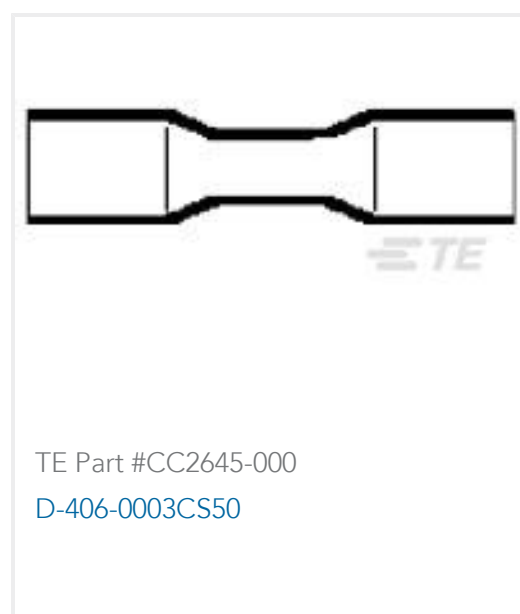
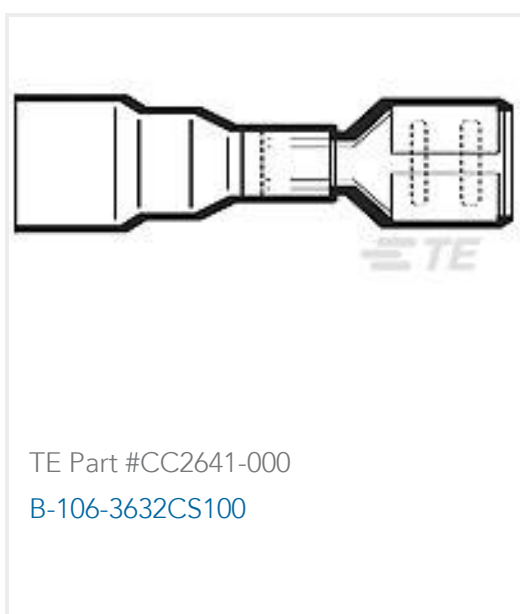
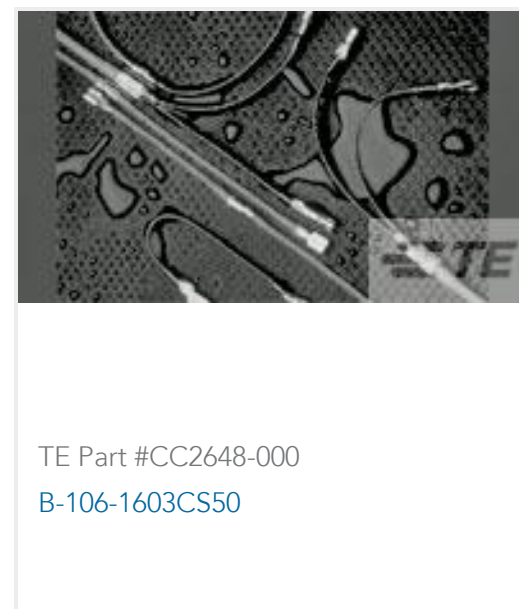
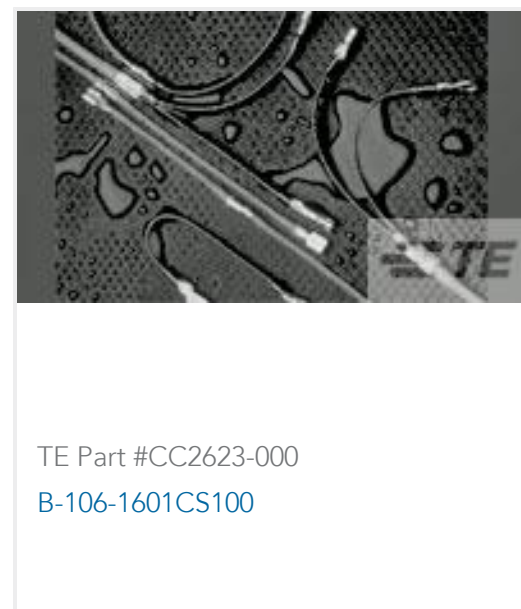
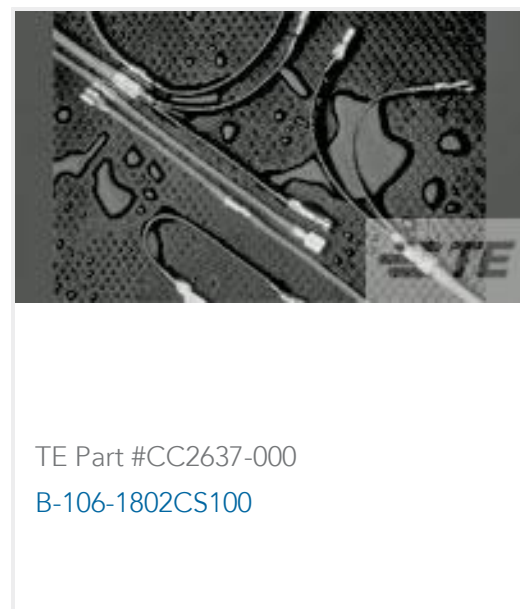
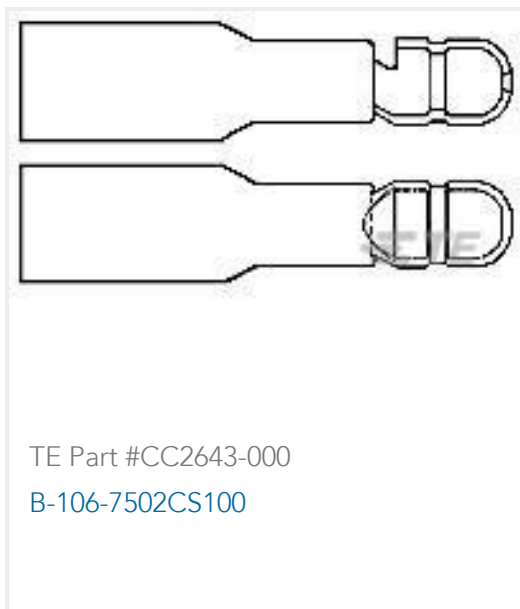
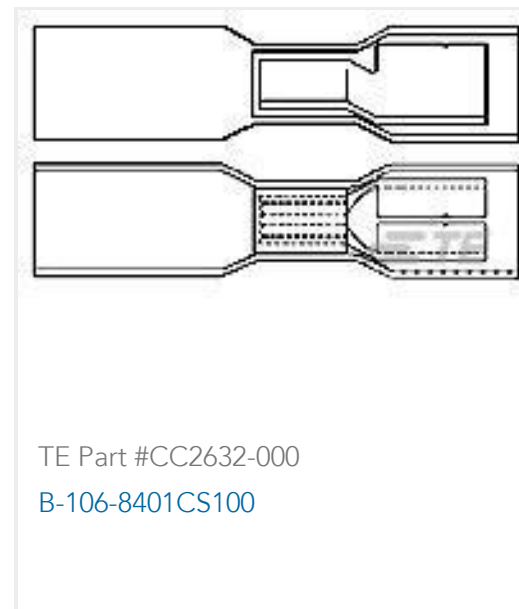
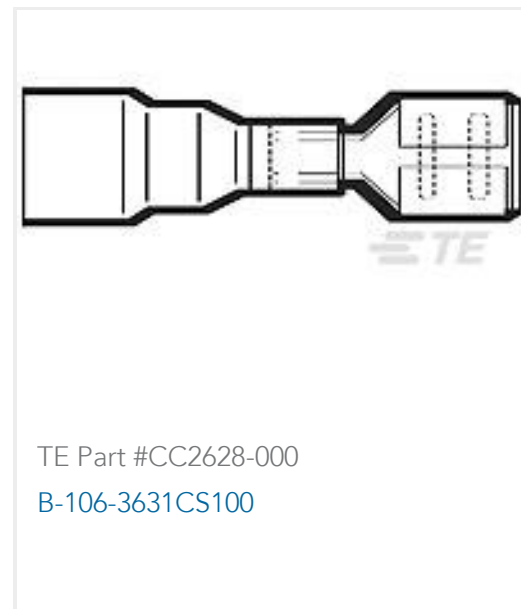
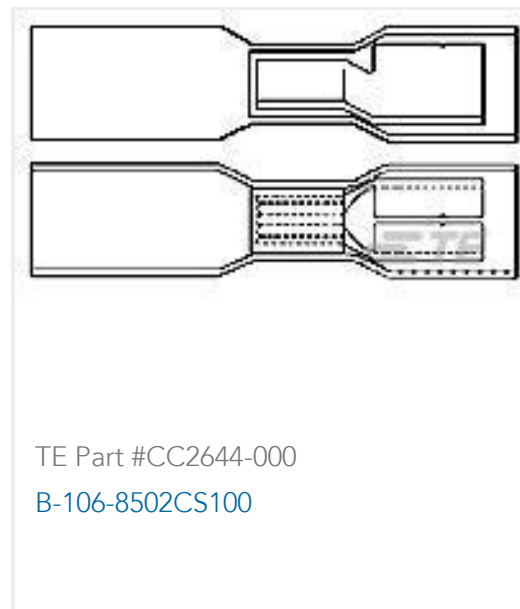
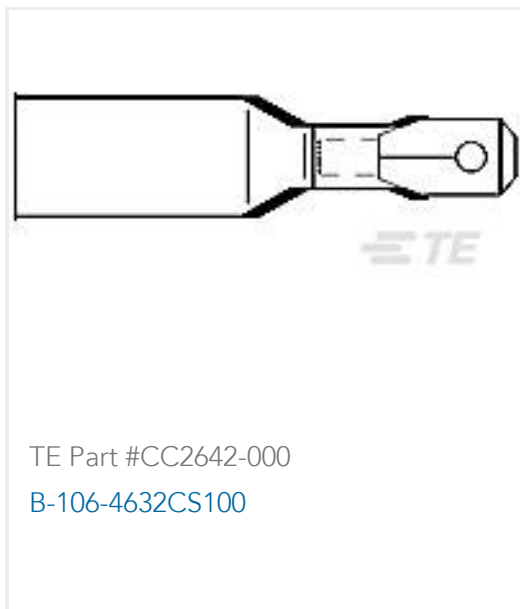
TE Part # 346102-4
RING TONGUE 0.5-1.0 MM2 0.6 X 15.2 CUSN

TE Part # 350509-1
RING 22-16 AWG BR

TE Part # 1217160-1
OPEN BARREL RING PHOS BRZ



Customers Also Bought



Documents

Product Drawings

Ring-Tongue A6-1, similar to DIN 46225

English

CAD Files

3D PDF

3D

Customer View Model

ENG_CVM_CVM_346100-4_A.2d_dxf.zip



English

Customer View Model

[ENG_CVM_CVM_346100-4_A.3d_igs.zip](#)

English

Customer View Model

[ENG_CVM_CVM_346100-4_A.3d_stp.zip](#)

English

By downloading the CAD file I accept and agree to the [Terms and Conditions](#) of use.

Product Specifications

Product Specification

English

Product Specification

English