



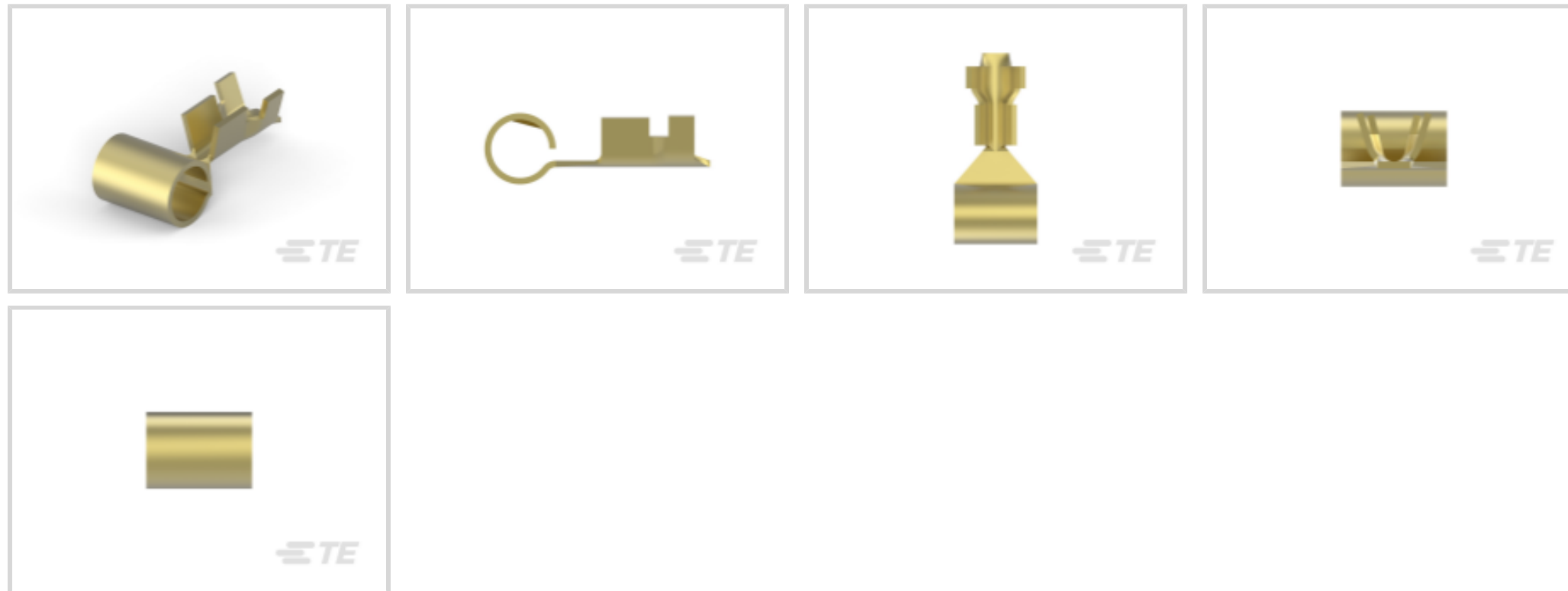
TE Internal #: 344469-2

Receptacle, 4 mm [.157 in] Pin Diameter, 20 – 16 AWG, .5 – 1.3 mm<sup>2</sup>

Wire, 1021 – 2582 CMA, Open Barrel, Unplated Plating, 11.05 mm [.435 in] Length

[View on TE.com >](#)

Terminals & Splices > Crimp Wire Pins, Tabs & Ferrules



Crimp Wire Terminal Type: **Receptacle**

Mating Pin Diameter: **4 mm [.157 in]**

Compatible Insulation Diameter Range: **2.13 mm, 1.5 – 2.13 mm [.059 – .083 in, .083 in]**

Wire Size: **.5 – 1.3 mm<sup>2</sup>**

## Features

### Product Type Features

Compatible With Discrete Wire Type

Stranded

### Configuration Features

Compatible With Wire & Cable Type

Discrete Wire

### Contact Features

Crimp Wire Terminal Type

Receptacle

Mating Pin Diameter

4 mm [.157 in]

Barrel Type

Open

Terminal Plating Material

Unplated

Terminal Orientation

Right Angle

### Mechanical Attachment

Wire Insulation Support

With

### Dimensions

Compatible Insulation Diameter Range

2.13 mm, 1.5 – 2.13 mm [.059 – .083 in][.083 in]

Wire Size

1021 – 2582 CMA



Barrel Inside Diameter	1.14 – 1.42 mm, 2.41 – 2.69 mm [.045 – .055 in] [.095 – .105 in]
Terminal Material Thickness	.39 mm [.016 in]
Overall Product Length	11.05 mm [.435 in]

### Usage Conditions

Insulation Option	Uninsulated
-------------------	-------------

### Packaging Features

Packaging Method	Reel
------------------	------

### Other

EU RoHS Compliance	Compliant
EU ELV Compliance	Compliant

## Product Compliance

[For compliance documentation, visit the product page on TE.com>](#)

EU RoHS Directive 2011/65/EU	Compliant
EU ELV Directive 2000/53/EC	Compliant
China RoHS 2 Directive MIIT Order No 32, 2016	No Restricted Materials Above Threshold
EU REACH Regulation (EC) No. 1907/2006	Current ECHA Candidate List: JUNE 2024 (241) Candidate List Declared Against: JUNE 2024 (241) Does not contain REACH SVHC
Halogen Content	Low Halogen - Br, Cl, F, I < 900 ppm per homogenous material. Also BFR/CFR/PVC Free
Solder Process Capability	Not applicable for solder process capability

#### Product Compliance Disclaimer

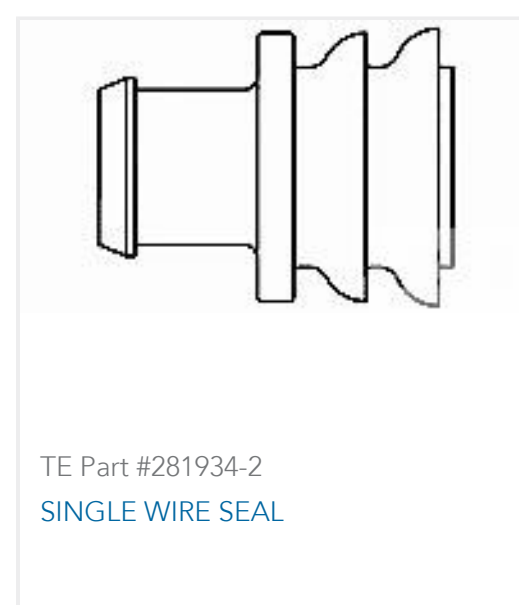
This information is provided based on reasonable inquiry of our suppliers and represents our current actual knowledge based on the information they provided. This information is subject to change. The part numbers that TE has identified as EU RoHS compliant have a maximum concentration of 0.1% by weight in homogenous materials for lead, hexavalent chromium, mercury, PBB, PBDE, DBP, BBP, DEHP, DIBP, and 0.01% for cadmium, or qualify for an exemption to these limits as defined in the Annexes of Directive 2011/65/EU (RoHS2). Finished electrical and electronic equipment products will be CE marked as required by Directive 2011/65/EU. Components may not be CE marked. Additionally, the part numbers that TE has identified as EU ELV compliant have a maximum concentration of 0.1% by weight in homogenous materials for lead, hexavalent chromium, and mercury, and 0.01% for cadmium, or qualify for an exemption to these limits as defined in the Annexes of Directive 2000/53/EC (ELV). Regarding the REACH Regulation, the information TE provides on SVHC in articles for this part number is based on the latest European Chemicals Agency (ECHA) 'Guidance on requirements for substances in articles' posted at this URL: <https://echa.europa.eu/guidance-documents/guidance-on-reach>



## Compatible Parts



## Customers Also Bought





## Documents

### Product Drawings

[ANGLE PIN RECEPTACLE 20-16 AWG PHBRZ](#)

English

---

### CAD Files

[3D PDF](#)

3D

Customer View Model

[ENG\\_CVM\\_CVM\\_344469-2\\_P.2d\\_dxf.zip](#)

English

Customer View Model

[ENG\\_CVM\\_CVM\\_344469-2\\_P.3d\\_igs.zip](#)

English

Customer View Model

[ENG\\_CVM\\_CVM\\_344469-2\\_P.3d\\_stp.zip](#)

English

By downloading the CAD file I accept and agree to the [Terms and Conditions](#) of use.