

342126-1 ✓ ACTIVE

PLASTI-GRIP

TE Internal #: 342126-1

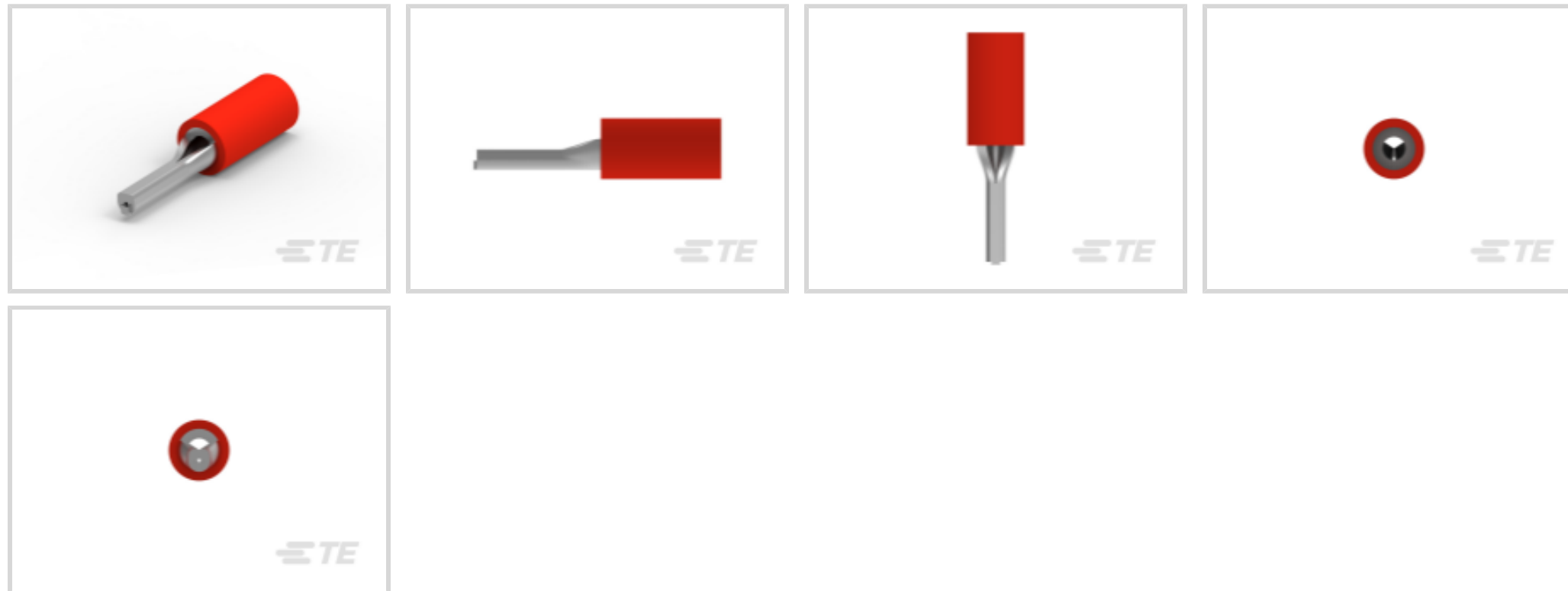
Wire Pin, 1.78 mm [.07 in] Pin Diameter, 22 – 16 AWG, .3 – 1.42 mm<sup>2</sup>

Wire, 509 – 3260 CMA, Closed Barrel, Tin Plating, PLASTI-GRIP

[View on TE.com >](#)



Terminals & Splices > Crimp Wire Pins, Tabs & Ferrules



Crimp Wire Terminal Type: **Wire Pin**

Mating Pin Diameter: **1.78 mm [.07 in]**

Compatible Insulation Diameter Range: **2.67 – 3.36 mm, 3.56 mm [.14 in, .105 – .14 in]**

Wire Size: **.3 – 1.42 mm<sup>2</sup>**

### Features

#### Body Features

Sleeve Material	PVC
Primary Product Color	Red

#### Product Type Features

Sealable	No
Compatible With Discrete Wire Type	Solid, Stranded
Wire Insulation Support Retention Type	Insulation Support

#### Contact Features

Contact Fabrication	Stamped & Formed
Crimp Wire Terminal Type	Wire Pin
Mating Pin Diameter	1.78 mm[.07 in]
Barrel Type	Closed
Terminal Plating Material	Tin
Contact Shape & Form	Round
Terminal Orientation	Straight

#### Configuration Features



Compatible With Wire & Cable Type	Discrete Wire
-----------------------------------	---------------

### Mechanical Attachment

Wire Insulation Support	With
-------------------------	------

### Dimensions

Compatible Insulation Diameter Range	2.67 – 3.36 mm, 3.56 mm [.14 in] [.105 – .14 in]
--------------------------------------	--

Wire Size	509 – 3260 CMA
-----------	----------------

Terminal Material Thickness	.79 mm [.031 in]
-----------------------------	------------------

Overall Product Length	20.57 mm [.81 in]
------------------------	-------------------

### Usage Conditions

Insulation Option	Partially Insulated
-------------------	---------------------

### Packaging Features

Packaging Method	Loose Piece
------------------	-------------

### Other

EU RoHS Compliance	Compliant
--------------------	-----------

EU ELV Compliance	Compliant
-------------------	-----------

### Product Compliance

[For compliance documentation, visit the product page on TE.com>](#)

EU RoHS Directive 2011/65/EU	Compliant
------------------------------	-----------

EU ELV Directive 2000/53/EC	Compliant
-----------------------------	-----------

China RoHS 2 Directive MIIT Order No 32, 2016	No Restricted Materials Above Threshold
---	---

EU REACH Regulation (EC) No. 1907/2006	Current ECHA Candidate List: JUNE 2024 (241) Candidate List Declared Against: JUNE 2024 (241) Does not contain REACH SVHC
--	---

Halogen Content	Not Low Halogen - contains Br or Cl > 900 ppm.
-----------------	--

Solder Process Capability	Not reviewed for solder process capability
---------------------------	--

#### Product Compliance Disclaimer

This information is provided based on reasonable inquiry of our suppliers and represents our current actual knowledge based on the information they provided. This information is subject to change. The part numbers that TE has identified as EU RoHS compliant have a maximum concentration of 0.1% by weight in homogenous materials for lead, hexavalent chromium, mercury, PBB, PBDE, DBP, BBP, DEHP, DIBP, and 0.01% for cadmium, or qualify for an exemption to these limits as defined in the Annexes of Directive 2011/65/EU (RoHS2). Finished electrical and electronic equipment products will be CE marked as required by Directive 2011/65/EU. Components may not be CE marked. Additionally, the part numbers that TE has identified as EU ELV compliant have a maximum concentration of 0.1% by weight in homogenous

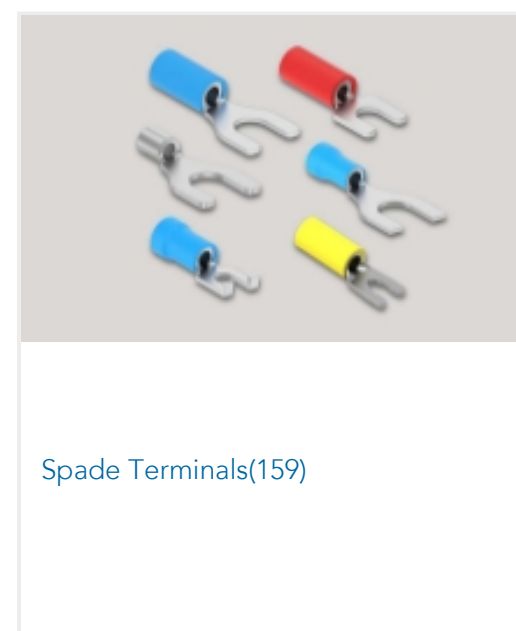
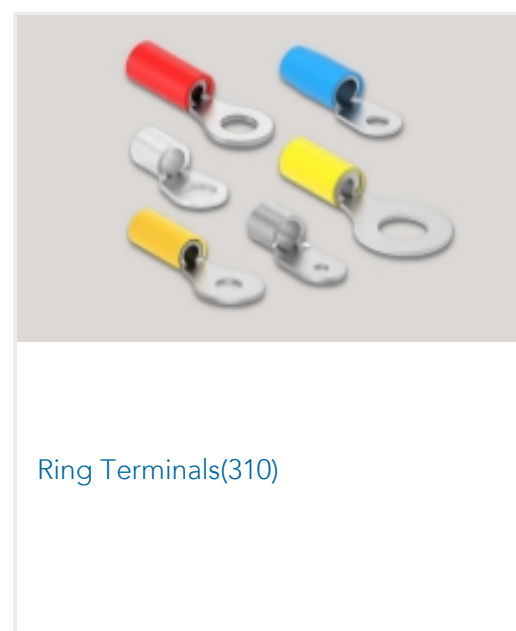
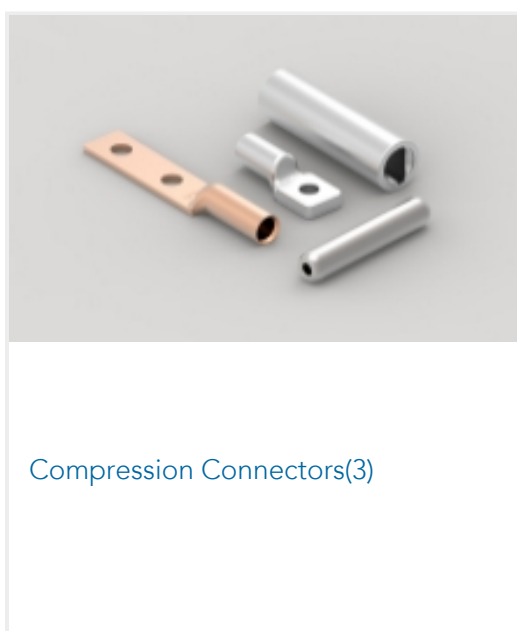


materials for lead, hexavalent chromium, and mercury, and 0.01% for cadmium, or qualify for an exemption to these limits as defined in the Annexes of Directive 2000/53/EC (ELV). Regarding the REACH Regulation, the information TE provides on SVHC in articles for this part number is based on the latest European Chemicals Agency (ECHA) 'Guidance on requirements for substances in articles' posted at this URL: <https://echa.europa.eu/guidance-documents/guidance-on-reach>

## Compatible Parts



## Also in the Series | PLASTI-GRIP



## Customers Also Bought



TE Part #321019  
TERMINAL,PIDG R 26-22 6



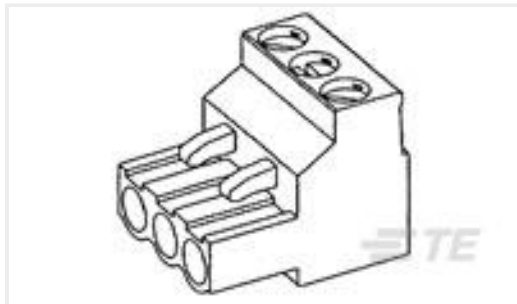
TE Part #5-146284-2  
02 MODII HDR SRST B/A .100CL



TE Part #3-582118-2  
TEST PROBE REC130 BI RED GPBR



TE Part #170823-4  
250 FASTON SLEEVE,REC.,  
TRANSPARENT



TE Part #796640-4  
4 POS 5.0 MM R/A PLUG,TRM BLK



TE Part #8-34161-1  
TERMINAL,PG R 16-14 10



TE Part #1443996-4  
COVER, 60 POS, W/O FUSE HLDR/NO  
EXT TEXT



TE Part #1443997-1  
BASE ASSEMBLY, 60 POSITION, BB  
EXT TEXT



TE Part #DT04-12PA-LE10  
REC, 12P, BLK, N, CAP, FLANGE, A



TE Part #5-146282-5  
05 MODII HDR SRST B/A .100CL

## Documents

### Product Drawings

#### 22-16 F.E.P.G. WIRE PIN

English

### CAD Files

#### 3D PDF

3D

#### Customer View Model

[ENG\\_CVM\\_CVM\\_342126-1\\_N.2d\\_dxf.zip](#)

English

#### Customer View Model

[ENG\\_CVM\\_CVM\\_342126-1\\_N.3d\\_igs.zip](#)

English

#### Customer View Model

[ENG\\_CVM\\_CVM\\_342126-1\\_N.3d\\_stp.zip](#)

English

By downloading the CAD file I accept and agree to the [Terms and Conditions](#) of use.

## Product Specifications

342126-1

Wire Pin, 1.78 mm [.07 in] Pin Diameter, 22 – 16 AWG, .3 – 1.42 mm<sup>2</sup> Wire, 509 – 3260  
CMA, Closed Barrel, Tin Plating, PLASTI-GRIP



## Application Specification

English