

# TMS-SCE-1K-1/2-2.0-8 ✓ ACTIVE



## TMS-SCE

TE Internal #: 3379810001

Gray, Military, Ladder, Recovered ID 4.22 mm [.166 in], 3:1, 1

Markers per Sleeve, 29.64 mm [1.16 in] Length, 12.7 mm [.5 in]

Expanded Inside, TMS-SCE

[View on TE.com >](#)

Identification & Labeling > Printable Tubing > TMS-SCE Military Grade Sleeves



Printable Tubing Type: **Ladder**

Printable Tubing Grade: **Military**

Shrink Ratio: **3:1**

Primary Product Color: **Gray**

Markers per Sleeve: **1**

[All TMS-SCE Military Grade Sleeves \(147\)](#)

## Features

### Product Type Features

Printable Tubing Type	Ladder
Printable Tubing Grade	Military

### Body Features

Shrink Ratio	3:1
Primary Product Color	Gray
Markers per Sleeve	1

### Dimensions

Product Length	29.64 mm[1.16 in]
Expanded Inside Diameter (Min)	12.7 mm[.5 in]
Recovered Inside Diameter (Max)	4.22 mm[.166 in]
Compatible Cable Diameter Range	4.64 – 10.79 mm[.183 – .425 in]

### Usage Conditions

Operating Temperature Range	-55 – 135 °C[-67 – 275 °F]
-----------------------------	----------------------------

### Printer/Label Features

Printer Technology	Thermal Transfer
--------------------	------------------



## Product Compliance

[For compliance documentation, visit the product page on TE.com>](#)

EU RoHS Directive 2011/65/EU	Compliant
EU ELV Directive 2000/53/EC	Compliant
China RoHS 2 Directive MIIT Order No 32, 2016	有害物质含量符合标准要求 No Restricted Substance(s) Above Threshold
EU REACH Regulation (EC) No. 1907/2006	Current ECHA Candidate List: JUNE 2025 (250) Candidate List Declared Against: JUNE 2025 (250) Does not contain REACH SVHC
Halogen Content	Not Low Halogen - contains Br or Cl > 900 ppm.
Solder Process Capability	Not applicable for solder process capability

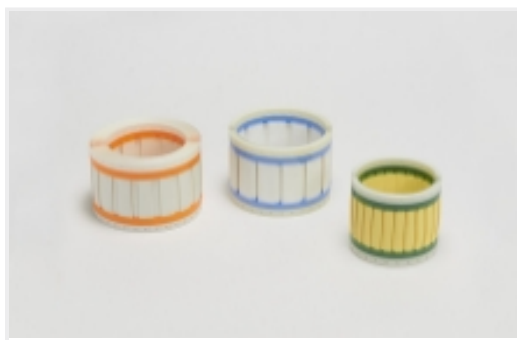
### Product Compliance Disclaimer

This information is provided based on reasonable inquiry of our suppliers and represents our current actual knowledge based on the information they provided. This information is subject to change. The part numbers that TE has identified as EU RoHS compliant have a maximum concentration of 0.1% by weight in homogenous materials for lead, hexavalent chromium, mercury, PBB, PBDE, DBP, BBP, DEHP, DIBP, and 0.01% for cadmium, or qualify for an exemption to these limits as defined in the Annexes of Directive 2011/65/EU (RoHS2). Finished electrical and electronic equipment products will be CE marked as required by Directive 2011/65/EU. Components may not be CE marked. Additionally, the part numbers that TE has identified as EU ELV compliant have a maximum concentration of 0.1% by weight in homogenous materials for lead, hexavalent chromium, and mercury, and 0.01% for cadmium, or qualify for an exemption to these limits as defined in the Annexes of Directive 2000/53/EC (ELV). Regarding the REACH Regulation, the information TE provides on SVHC in articles for this part number is based on the latest European Chemicals Agency (ECHA) 'Guidance on requirements for substances in articles' posted at this URL: <https://echa.europa.eu/guidance-documents/guidance-on-reach>

## Compatible Parts



## Also in the Series | TMS-SCE



Printable Tubing(147)

## Customers Also Bought



TE Part #CAT-D48-ST273  
DEUTSCH Connector Solid Contacts



TE Part #DT04-2P  
REC, 2P, GRY, N



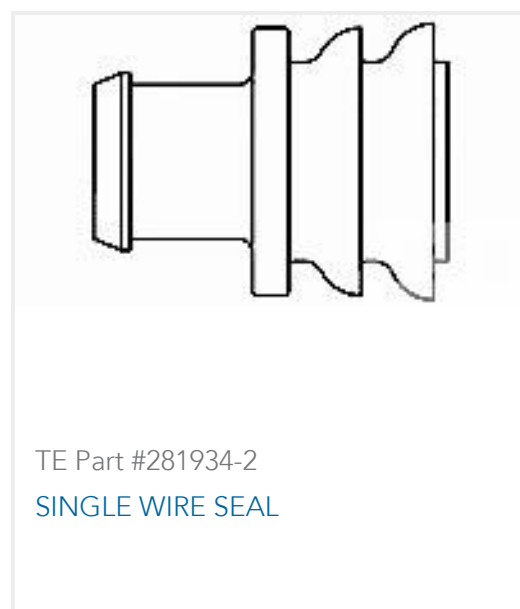
TE Part #DT06-2S  
PLG, 2P, GRY, N



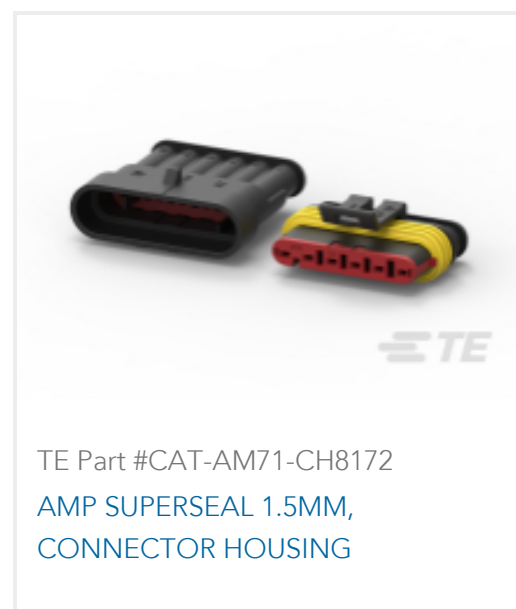
TE Part #CAT-D487-W416  
Wedgelocks: DEUTSCH DT



TE Part #114017-ZZ  
SEALING PLUG, SIZE 12/16, WHT



TE Part #281934-2  
SINGLE WIRE SEAL



TE Part #CAT-AM71-CH8172  
AMP SUPERSEAL 1.5MM,  
CONNECTOR HOUSING

## Documents

### Product Drawings

[TMS-SCE-1K-1/2-2.0-8](#)

English

### Datasheets & Catalog Pages

[TMS-SCE Heat Shrinkable Sleeves](#)

English

[Cable Identification Product Shelf Life](#)

English

### Product Specifications

[Product Specification](#)

English

[IDENTIFICATION PRINTER PRODUCT RIBBON MATRIX](#)

English

### Instruction Sheets

[Instruction Sheet \(non U.S.\)](#)

TMS-SCE-1K-1/2-2.0-8

Gray, Military, Ladder, Recovered ID 4.22 mm [.166 in], 3:1, 1 Markers per Sleeve,  
29.64 mm [1.16 in] Length, 12.7 mm [.5 in] Expanded Inside, TMS-SCE



English