



Wire Protection & Management > Heat Shrink Shapes > Heat Shrink Caps > Splice Sealing End Cap(ES-Cap)



Wall Type: **Dual Wall**

Adhesive Requirement: **Adhesive Precoat**

Operating Temperature Range: **-40 – 105 °C [-40 – 221 °F]**

EU RoHS Compliance: **Compliant**

EU ELV Compliance: **Compliant**

[All Splice Sealing End Cap\(ES-Cap\) \(32\)](#)

Features

Operation/Application

Mechanical Resistance	Mechanical Damage, Fluids, Strain Relief, Abrasion
-----------------------	--

Industry Standards

Compatible With Agency/Standards Products	UL
UL Rating	Recognized

Identification Marking

Marked	No.1
--------	------

Body Features

Shrink Ratio	4:1
Primary Product Color	Black
Flexibility	Semi-Rigid
Lining Type	Adhesive
Primary Product Material	Crosslinked Polyolefin
Sealant Type	Anti-Flux

Dimensions

Recovered Wall Thickness (Nominal)	1.2 mm[.047 in]
------------------------------------	-----------------



Product Length	35 mm[1.378 in]
Wall Thickness	Thin
Recovered Inside Diameter (Max)	1.3 mm[.051 in]
Expanded Inside Diameter (Min)	5.7 mm[.224 in]
Compatible Cable Diameter Range	5.7 mm[.22 in]

Usage Conditions

Flammability Performance	Flame-Retardant
Resistance Properties	Moisture & Spray Protection, Splash Protection, Limited Immersion Protection
Fluid Resistance Type	Water, Automatic Transmission Fluid, Lubricating Oil, Engine Coolant, Brake Fluid, Power Steering Fluid, Diesel Fuel, Engine Cleaner
Operating Temperature Range	-40 – 105 °C[-40 – 221 °F]

Configuration Features

Modification	C1
Adhesive Requirement	Adhesive Precoat

Product Type Features

Wall Type	Dual Wall
-----------	-----------

Other

EU RoHS Compliance	Compliant
EU ELV Compliance	Compliant

Product Compliance

[For compliance documentation, visit the product page on TE.com>](#)

EU RoHS Directive 2011/65/EU	Compliant
EU ELV Directive 2000/53/EC	Compliant
China RoHS 2 Directive MIIT Order No 32, 2016	No Restricted Materials Above Threshold
EU REACH Regulation (EC) No. 1907/2006	Current ECHA Candidate List: JUNE 2024 (241) Candidate List Declared Against: JUNE 2024 (241) Does not contain REACH SVHC
Halogen Content	Not Low Halogen - contains Br or Cl > 900 ppm.
Solder Process Capability	Not applicable for solder process capability

Product Compliance Disclaimer

This information is provided based on reasonable inquiry of our suppliers and represents our current actual knowledge based on the information they provided. This information is subject to change. The part numbers that TE has identified as EU RoHS compliant have a maximum concentration of 0.1% by weight in homogenous materials for lead, hexavalent chromium, mercury, PBB, PBDE, DBP, BBP, DEHP, DIBP, and 0.01% for cadmium, or qualify for an exemption to these limits as defined in the Annexes of Directive 2011/65/EU (RoHS2). Finished electrical and electronic equipment products will be CE marked as required by Directive 2011/65/EU. Components may not be CE marked. Additionally, the part numbers that TE has identified as EU ELV compliant have a maximum concentration of 0.1% by weight in homogenous materials for lead, hexavalent chromium, and mercury, and 0.01% for cadmium, or qualify for an exemption to these limits as defined in the Annexes of Directive 2000/53/EC (ELV). Regarding the REACH Regulation, the information TE provides on SVHC in articles for this part number is based on the latest European Chemicals Agency (ECHA) 'Guidance on requirements for substances in articles' posted at this URL: <https://echa.europa.eu/guidance-documents/guidance-on-reach>

Compatible Parts



TE Part # 955018-000
CLTEQ-M105-TUNNEL-OVEN



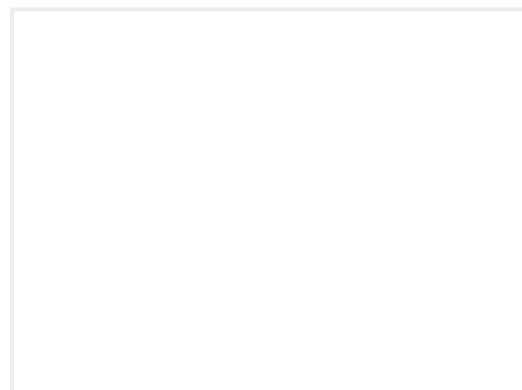
TE Part # EG41000001
ES-CAP-NO.1-C1-0-35MM



TE Part # 2375320-1
XB19 Belt Heater, STD



TE Part # 1-2376800-3
RBK-X1C, W/ AIR COOLING



TE Part # 1-2375320-1
XB19 BELT HEATER, AUTO SHUT OFF



TE Part # 2376800-1
RBK-X1C STD



TE Part # 2234800-1
RBK-X1 STD



TE Part # EG1114-000
CV1981-ST-230V1600W-EU



TE Part # 2234800-2
RBK-X1 CE STD



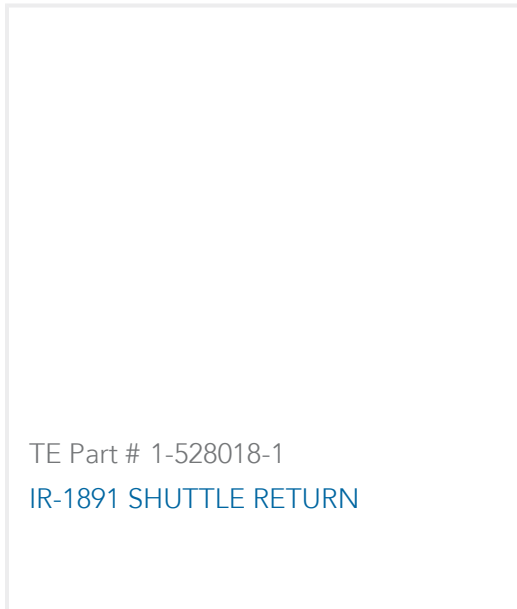
TE Part # 2280355-1
220 V MODEL 17



TE Part # 1-2234800-4
RBK-X1 CE, W/ AIR COOLING



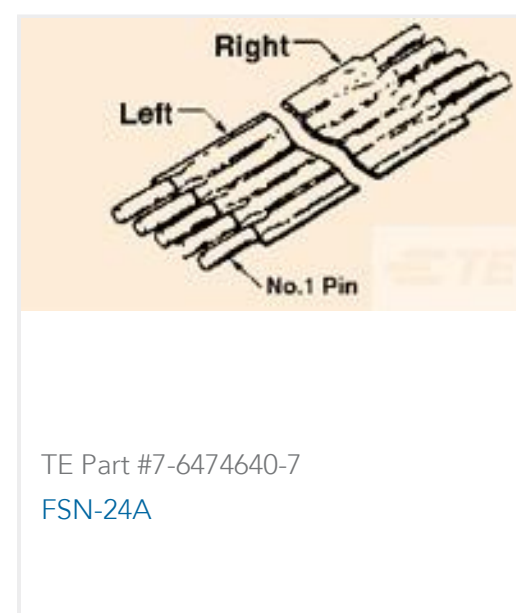
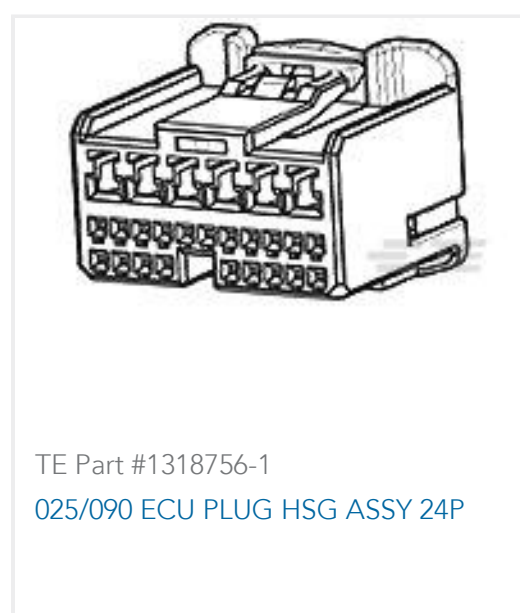
TE Part # 2394980-1
MOD 105 TUN OVEN, 69" ENTRY,
STARDARD

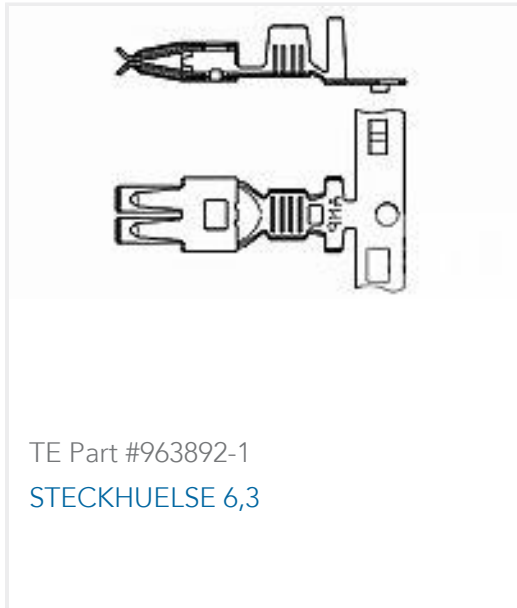


Also in the Series | RAYCHEM ES-CAP



Customers Also Bought





Documents

Product Drawings

[ES-CAP-NO.1-C1-0-35MM](#)

English

Datasheets & Catalog Pages

[Measuring_Single_Wall_Tubing](#)

English

[ES Caps Pages from 9-1773447-9](#)

English

[Selecting_Correct_Tubing_1216](#)

English

[ES CAP Data Sheet](#)

English

[Semirigid Adhesive-Lined, Polyolefin Heat-Shrinkable Sealing Caps](#)

English

Product Specifications

[Application Specification](#)

English