

TDS10SGRSTR04 ✓ ACTIVE

Alcoswitch | Alcoswitch DIP TDS

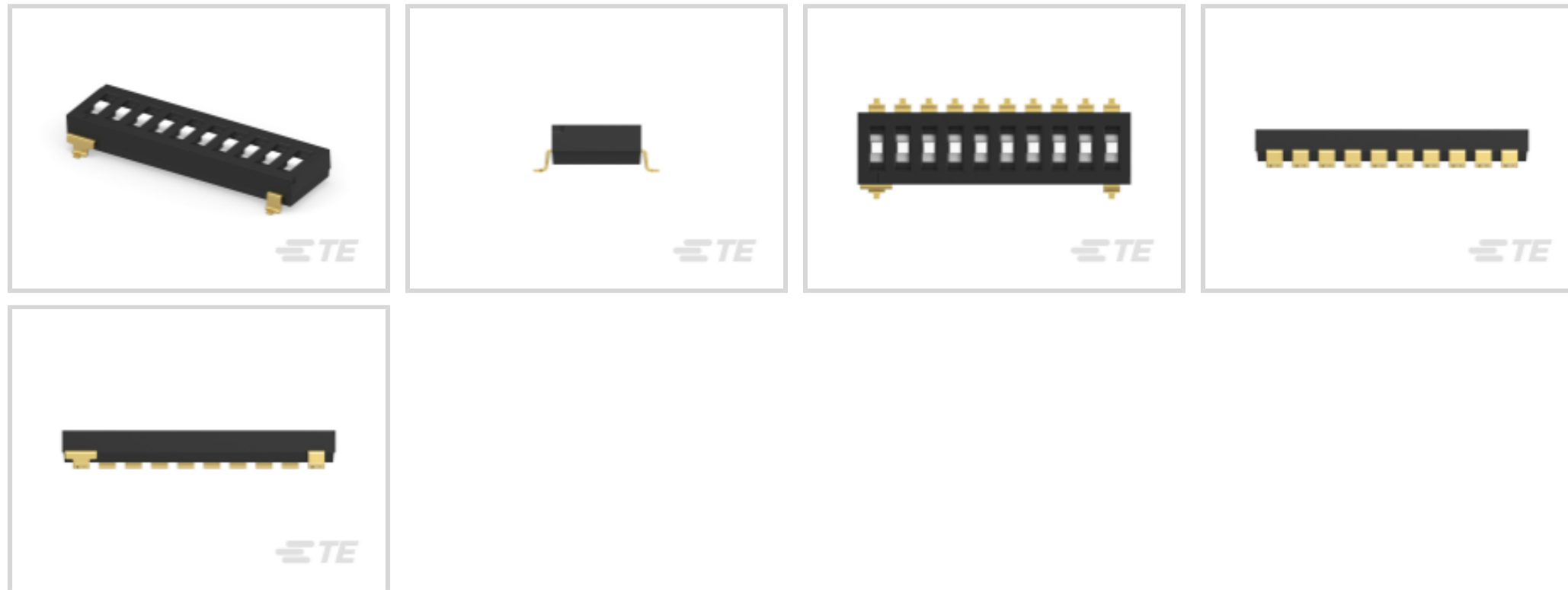
TE Internal #: 3-2319747-0

DIP Switch, Gold Contact Plating, Black, High Temperature Nylon, Sealed, 10 Switch, -20 – 85 °C, Slide Actuator, Alcoswitch DIP TDS

[View on TE.com >](#)



Switches > DIP & SIP Switches



DIP & SIP Switch Type: **DIP**

Switch Contact Plating Material: **Gold**

Case Color: **Black**

Case Material: **High Temperature Nylon**

Sealed Device: **Yes**

Features

Dimensions

Product Length	26.56 mm[1.046 in]
Product Height	4.1 mm[.161 in]

Packaging Features

Packaging Method	Tape & Reel
Packaging Quantity	900

Configuration Features

Number of Positions	10
Number of Switches	10
Configuration (Pole-Throw)	Single Pole - Three Throw

Body Features

Sealing Method	Sealing Tape
Actuator Color	White
Product Orientation	Vertical
Case Color	Black



Case Material	High Temperature Nylon
---------------	------------------------

Product Type Features

DIP & SIP Switch Type	DIP
-----------------------	-----

Sealed Device	Yes
---------------	-----

Actuator Style	Slide Actuator
----------------	----------------

Contact Features

Switch Contact Plating Material	Gold
---------------------------------	------

Contact Base Material	Copper Alloy
-----------------------	--------------

Usage Conditions

Operating Temperature Range	-20 – 85 °C
-----------------------------	-------------

Electrical Characteristics

Contact Current Rating	.025 A
------------------------	--------

Operating Voltage	24 VDC
-------------------	--------

Termination Features

Termination Method to PCB	Surface Mount
---------------------------	---------------

Housing Features

Centerline (Pitch)	2.54 mm[.1 in]
--------------------	----------------

Other

EU RoHS Compliance	Compliant
--------------------	-----------

EU ELV Compliance	Compliant
-------------------	-----------

Product Compliance

[For compliance documentation, visit the product page on TE.com>](#)

EU RoHS Directive 2011/65/EU	Compliant
------------------------------	-----------

EU ELV Directive 2000/53/EC	Compliant
-----------------------------	-----------

China RoHS 2 Directive MIIT Order No 32, 2016	No Restricted Materials Above Threshold
---	---

EU REACH Regulation (EC) No. 1907/2006	Current ECHA Candidate List: JUNE 2024 (241) Candidate List Declared Against: JUNE 2024 (241) Does not contain REACH SVHC
--	---

Halogen Content	Low Halogen - Br, Cl, F, I < 900 ppm per homogenous material. Also BFR/CFR/PVC Free
-----------------	---

Solder Process Capability

Not reviewed for solder process capability

Product Compliance Disclaimer

This information is provided based on reasonable inquiry of our suppliers and represents our current actual knowledge based on the information they provided. This information is subject to change. The part numbers that TE has identified as EU RoHS compliant have a maximum concentration of 0.1% by weight in homogenous materials for lead, hexavalent chromium, mercury, PBB, PBDE, DBP, BBP, DEHP, DIBP, and 0.01% for cadmium, or qualify for an exemption to these limits as defined in the Annexes of Directive 2011/65/EU (RoHS2). Finished electrical and electronic equipment products will be CE marked as required by Directive 2011/65/EU. Components may not be CE marked. Additionally, the part numbers that TE has identified as EU ELV compliant have a maximum concentration of 0.1% by weight in homogenous materials for lead, hexavalent chromium, and mercury, and 0.01% for cadmium, or qualify for an exemption to these limits as defined in the Annexes of Directive 2000/53/EC (ELV). Regarding the REACH Regulation, the information TE provides on SVHC in articles for this part number is based on the latest European Chemicals Agency (ECHA) 'Guidance on requirements for substances in articles' posted at this URL: <https://echa.europa.eu/guidance-documents/guidance-on-reach>

Compatible Parts



TE Part # 1-2319747-6
TRI-STATE DIP 4P G RAISED T&R



TE Part # 1-2319747-1
TRI-STATE DIP 4P G RECESS SEAL TUBE



TE Part # 2-2319747-6
TRI-STATE DIP 4P G RECESS SEAL T&R

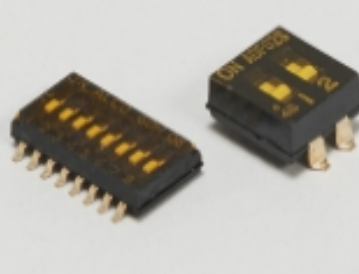


TE Part # 2319747-1
TRI-STATE DIP 4P G RAISED TUBE



TE Part # 2-2319747-1
TRI-STATE DIP 4P G RECESS T&R

Also in the Series | Alcoswitch DIP TDS



DIP & SIP Switches(20)

Customers Also Bought



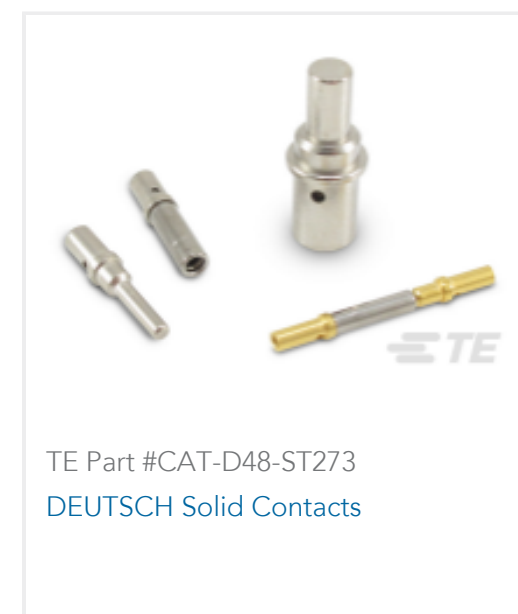
TE Part #DT04-2P
REC, 2P, GRY, N



TE Part #DT06-2S
PLG, 2P, GRY, N



TE Part #CAT-D487-W416
Wedgelocks: DEUTSCH DT



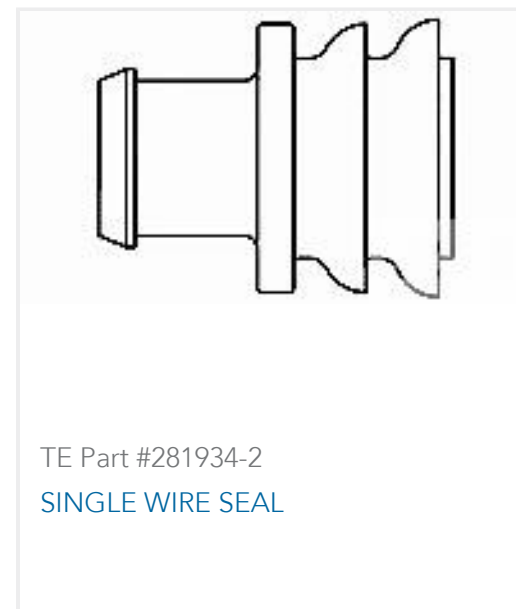
TE Part #CAT-D48-ST273
DEUTSCH Solid Contacts



TE Part #114017-ZZ
SEALING PLUG, SIZE 12/16, WHT



TE Part #CAT-AM71-CH8172
AMP SUPERSEAL 1.5MM,
CONNECTOR HOUSING



TE Part #281934-2
SINGLE WIRE SEAL

Documents

Product Drawings

[TRI-STATE DIP 10P G RECESS SEAL T&R](#)

English

CAD Files

[3D PDF](#)

3D

Customer View Model

[ENG_CVM_CVM_3-2319747-0_B.2d_dxf.zip](#)

English

Customer View Model

[ENG_CVM_CVM_3-2319747-0_B.3d_igs.zip](#)

English

Customer View Model

[ENG_CVM_CVM_3-2319747-0_B.3d_stp.zip](#)

English

By downloading the CAD file I accept and agree to the [Terms and Conditions](#) of use.

Datasheets & Catalog Pages

[ALCOSWITCH DIP Swtich TDS Series](#)

English