



Product Compliance

[For compliance documentation, visit the product page on TE.com>](#)

EU RoHS Directive 2011/65/EU	Compliant
EU ELV Directive 2000/53/EC	Compliant
China RoHS 2 Directive MIIT Order No 32, 2016	No Restricted Materials Above Threshold
EU REACH Regulation (EC) No. 1907/2006	Current ECHA Candidate List: JUNE 2024 (241) Candidate List Declared Against: JUNE 2024 (241) Does not contain REACH SVHC
Halogen Content	Not Low Halogen - contains Br or Cl > 900 ppm.
Solder Process Capability	Not applicable for solder process capability

Product Compliance Disclaimer

This information is provided based on reasonable inquiry of our suppliers and represents our current actual knowledge based on the information they provided. This information is subject to change. The part numbers that TE has identified as EU RoHS compliant have a maximum concentration of 0.1% by weight in homogenous materials for lead, hexavalent chromium, mercury, PBB, PBDE, DBP, BBP, DEHP, DIBP, and 0.01% for cadmium, or qualify for an exemption to these limits as defined in the Annexes of Directive 2011/65/EU (RoHS2). Finished electrical and electronic equipment products will be CE marked as required by Directive 2011/65/EU. Components may not be CE marked. Additionally, the part numbers that TE has identified as EU ELV compliant have a maximum concentration of 0.1% by weight in homogenous materials for lead, hexavalent chromium, and mercury, and 0.01% for cadmium, or qualify for an exemption to these limits as defined in the Annexes of Directive 2000/53/EC (ELV). Regarding the REACH Regulation, the information TE provides on SVHC in articles for this part number is based on the latest European Chemicals Agency (ECHA) 'Guidance on requirements for substances in articles' posted at this URL: <https://echa.europa.eu/guidance-documents/guidance-on-reach>

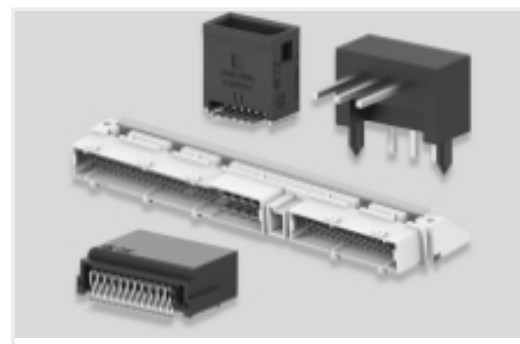
Compatible Parts



Also in the Series | **GRACE INERTIA 2.0**



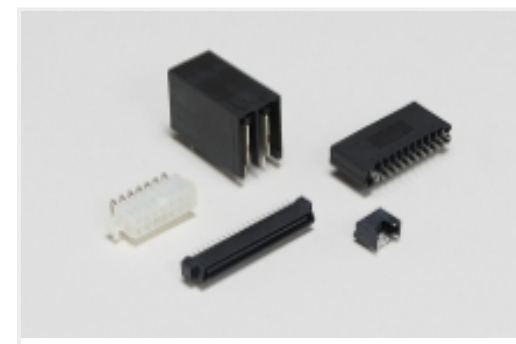
Connector Contacts(4)



PCB Headers & Receptacles(70)



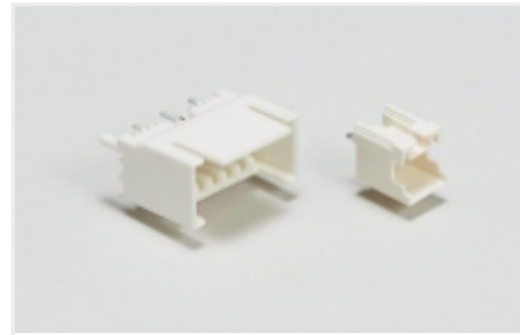
Rectangular Connector Housings(20)



Standard Rectangular Connectors(38)



Wire-to-Board Connector Assemblies & Housings(1)



Wire-to-Board Headers & Receptacles (70)

Customers Also Bought



TE Part #CAT-G7534A-P729
STD Temp Sig GRACE INERTIA Plug



TE Part #1747066-2
GRACE INERTIA CONN 2.5 PLUG
HSG 2P NATUR



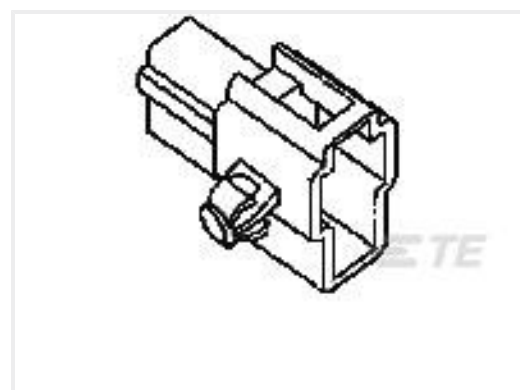
TE Part #2-1747066-4
GRACE INERTIA CONN 2.5 PLUG
HSG 4P BLUE



TE Part #1747066-6
GRACE INERTIA CONN 2.5 PLUG
HSG 6P NATUR



TE Part #1747066-4
GRACE INERTIA CONN 2.5 PLUG
HSG 4P NATUR



TE Part #172383-1
FF 250 REC HSG 2P NYLON NAT P/M



TE Part #CAT-G7534A-R2435
Sig GRACE INERTIA Receptacle



TE Part #1-1747066-2
GRACE INERTIA CONN 2.5 PLUG
HSG 2P RED

Documents

[CAD Files](#)

[3D PDF](#)

[3D](#)

[Customer View Model](#)

[ENG_CVM_CVM_3-1971030-4_F.2d_dxf.zip](#)

English

[Customer View Model](#)

[ENG_CVM_CVM_3-1971030-4_F.3d_igs.zip](#)



English

Customer View Model

[ENG_CVM_CVM_3-1971030-4_F.3d_stp.zip](#)

English

By downloading the CAD file I accept and agree to the [Terms and Conditions](#) of use.

Product Specifications

[Product Specification](#)

English