

RN73C1J332RBTD ✓ ACTIVE

Holsworthy | Holsworthy RN73

TE Internal #: 3-1879137-7

332 ohm, Surface Mount Precision Resistor, Thin Film, 0603, .063 W, .1 %, ±10 ppm/°C, Solder, 2 Terminations, .45 mm [.018 in] Height, Holsworthy RN73

[View on TE.com >](#)



Passive Components > Resistors > Surface Mount Resistors



Resistance Value: 332 Ω

Resistor Type: Precision Resistor

Element Type: Thin Film

Package Size Code: 0603

Power Rating: .063 W

Features

Industry Standards

Moisture Sensitivity Level	1
----------------------------	---

Electrical Characteristics

Operating Voltage	50 V
Resistance Value	332 Ω
Power Rating	.063 W
Resistance Class	Up to 1kΩ
Passive Component Tolerance	.1 %

Product Type Features

Resistor Type	Precision Resistor
Element Type	Thin Film
Package Size Code	0603

Configuration Features

Number of Resistors	1
---------------------	---

Termination Features

Surface Mount Resistor Termination Type	Solder
Number of Terminations	2

Dimensions



Product Height	.45 mm[.018 in]
Product Length	1.55 mm[.061 in]
Product Width	.8 mm[.031 in]

Usage Conditions

Temperature Coefficient	±10 ppm/°C
-------------------------	------------

Packaging Features

Packaging Method	Taped & Reeled
------------------	----------------

Other

EU RoHS Compliance	Compliant
EU ELV Compliance	Compliant

Product Compliance

[For compliance documentation, visit the product page on TE.com>](#)

EU RoHS Directive 2011/65/EU	Compliant
EU ELV Directive 2000/53/EC	Compliant
China RoHS 2 Directive MIIT Order No 32, 2016	No Restricted Materials Above Threshold
EU REACH Regulation (EC) No. 1907/2006	Current ECHA Candidate List: JUNE 2024 (241) Candidate List Declared Against: JUNE 2024 (241) Does not contain REACH SVHC
Halogen Content	Low Halogen - Br, Cl, F, I < 900 ppm per homogenous material. Also BFR/CFR/PVC Free
Solder Process Capability	Reflow solder capable to 260°C

Product Compliance Disclaimer

This information is provided based on reasonable inquiry of our suppliers and represents our current actual knowledge based on the information they provided. This information is subject to change. The part numbers that TE has identified as EU RoHS compliant have a maximum concentration of 0.1% by weight in homogenous materials for lead, hexavalent chromium, mercury, PBB, PBDE, DBP, BBP, DEHP, DIBP, and 0.01% for cadmium, or qualify for an exemption to these limits as defined in the Annexes of Directive 2011/65/EU (RoHS2). Finished electrical and electronic equipment products will be CE marked as required by Directive 2011/65/EU. Components may not be CE marked. Additionally, the part numbers that TE has identified as EU ELV compliant have a maximum concentration of 0.1% by weight in homogenous materials for lead, hexavalent chromium, and mercury, and 0.01% for cadmium, or qualify for an exemption to these limits as defined in the Annexes of Directive 2000/53/EC (ELV). Regarding the REACH Regulation, the information TE provides on SVHC in articles for this part number is based on the latest European Chemicals Agency (ECHA) 'Guidance on requirements for substances in articles' posted at this URL: <https://echa.europa.eu/guidance-documents/guidance-on-reach>

Compatible Parts




TE Part # 5-1879136-8
RN 0603 51R1 0.1% 10PPM 5K RL



TE Part # 9-1879137-0
RN 0603 1K18 0.1% 10PPM 5K RL



TE Part # 7-1879136-1
RN 0603 69R8 0.1% 10PPM 5K RL



TE Part # 7-1879136-5
RN 0603 76R8 0.1% 10PPM 5K RL



TE Part # 7-1879136-6
RN 0603 78R7 0.1% 10PPM 5K RL



TE Part # 6-1879136-1
RN 0603 54R9 0.1% 10PPM 5K RL



TE Part # 2-1879136-1
RN 0603 21R 0.1% 10PPM 5K RL



TE Part # 7-1879136-0
RN 0603 68R1 0.1% 10PPM 5K RL



TE Part # 8-1879136-0
RN 0603 86R6 0.1% 10PPM 5K RL



TE Part # 8-1879137-6
RN 0603 1K07 0.1% 10PPM 5K RL



TE Part # 4-1879136-9
RN 0603 41R2 0.1% 10PPM 5K RL



TE Part # 1879137-2
RN 0603 143R 0.1% 10PPM 5K RL



TE Part # 2-1879136-3
RN 0603 22R1 0.1% 10PPM 5K RL



TE Part # 1879137-9
RN 0603 169R 0.1% 10PPM 5K RL



TE Part # 1-1879137-4
RN 0603 191R 0.1% 10PPM 5K RL



TE Part # 2-1879136-7
RN 0603 24R3 0.1% 10PPM 5K RL



TE Part # 1-1879137-0
RN 0603 174R 0.1% 10PPM 5K RL



TE Part # 1-1879137-2
RN 0603 182R 0.1% 10PPM 5K RL

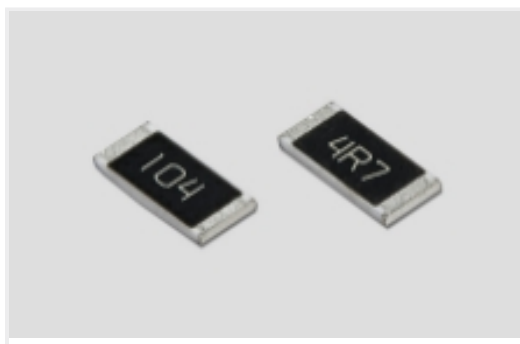


TE Part # 1879137-8
RN 0603 165R 0.1% 10PPM 5K RL



TE Part # 1879137-3
RN 0603 147R 0.1% 10PPM 5K RL

Also in the Series | [Holsworthy RN73](#)



Surface Mount Resistors(3641)

Customers Also Bought



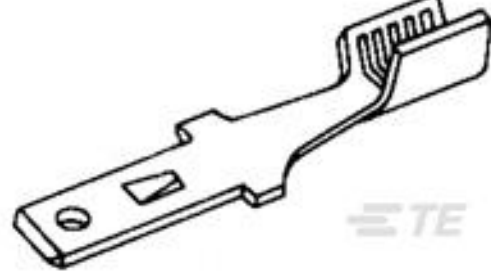
TE Part #2-1415898-6
RTS3LF24



TE Part #5-1879138-5
RN 0603 5K9 0.1% 10PPM 5K RL



TE Part #5-2301994-4
RJ45 JACK INT.MAG. 10/100 1X1



TE Part #62445-1
187 AMVAR FFTAB FLT 020TPBR



TE Part #5-1879137-4
RN 0603 499R 0.1% 10PPM 5K RL



TE Part #2350791-2
M12 X-M-8,90,CRIMP,CAT7,TE 2297799-1



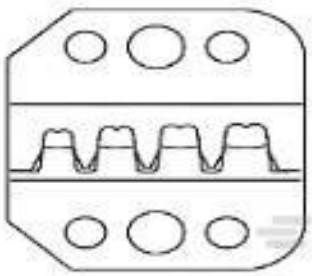
TE Part #1625931-2
MCU 22R 10% 1"PL[RS]"



TE Part #9-1879138-2
RN 0603 14K7 0.1% 10PPM 5K RL



TE Part #1969694-5
PTL 1X5 PCB HEADER R/A STDTEMP KEY A NAT



TE Part #58548-2
DIE ASSEMBLY

Documents

Product Drawings

[RN 0603 332R 0.1% 10PPM 5K RL](#)

English

CAD Files

[3D PDF](#)

3D

Customer View Model

[ENG_CVM_CVM_3-1879137-7_BA.2d_dxf.zip](#)



English

Customer View Model

[ENG_CVM_CVM_3-1879137-7_BA.3d_igs.zip](#)

English

Customer View Model

[ENG_CVM_CVM_3-1879137-7_BA.3d_stp.zip](#)

English

By downloading the CAD file I accept and agree to the [Terms and Conditions](#) of use.

Datasheets & Catalog Pages

[1309350_PASSIVE_COMPONENT](#)

English

[High Precision Resistors \(SMD\) - Type RN73 Series - Tyco Electronics Passives](#)

English

[8-1773459-4_POWER_FILTERING_AND_RESISTIVE_SOLUTIONS_FOR_ELEVATORS_AND_ESCALATORS](#)

English