

3-1825059-1 ✓ ACTIVE

[Alcoswitch](#) | [Alcoswitch ADF](#)

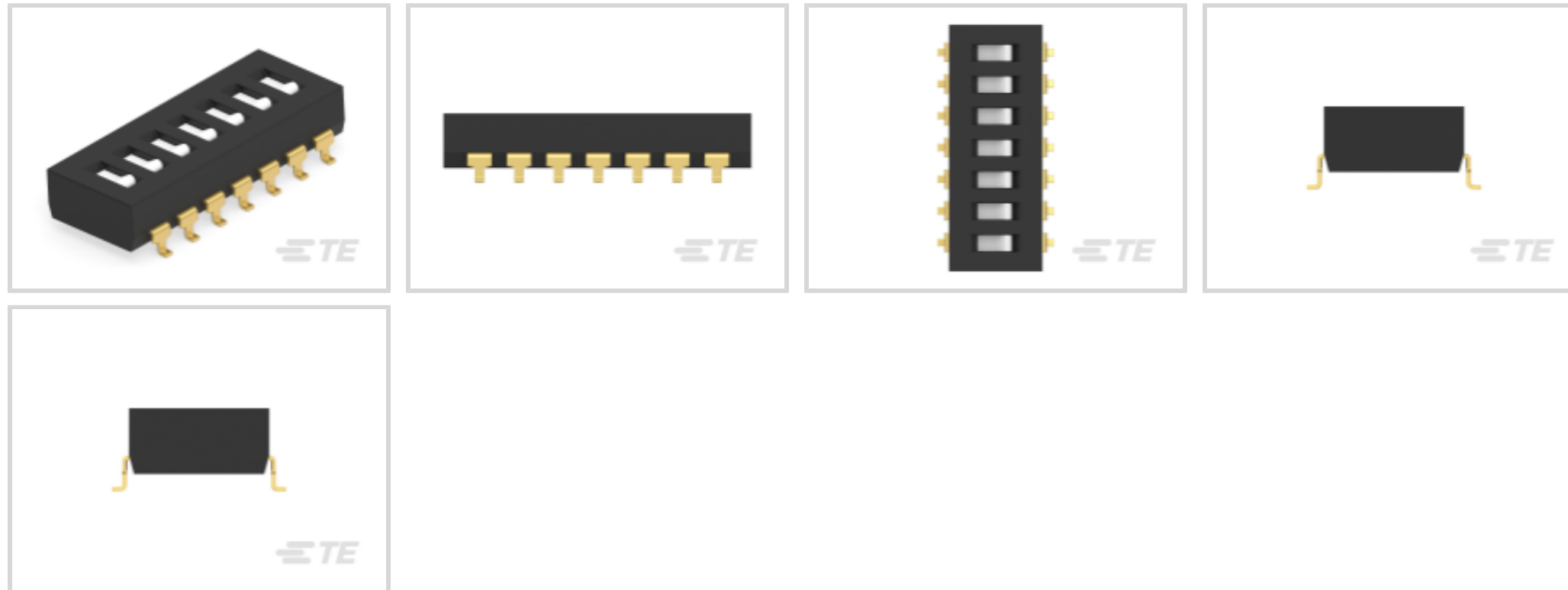
TE Internal #: 3-1825059-1

DIP Switch, Gold Flash Contact Plating, Black, Polyphenylene Sulfide (PPS), 7 Switch, -30 – 85 °C, Flush Actuator / Slide Actuator, Alcoswitch ADF

[View on TE.com >](#)



Switches > DIP & SIP Switches



DIP & SIP Switch Type: **DIP**

Switch Contact Plating Material: **Gold Flash**

Case Color: **Black**

Case Material: **Polyphenylene Sulfide (PPS)**

Sealed Device: **No**

Features

Operation/Application

| | |
|--------------------------|-----------------------|
| Assembly Process Feature | Auto-Insert Packaging |
|--------------------------|-----------------------|

Industry Standards

| | |
|------------------------|----------|
| UL Flammability Rating | UL 94V-0 |
|------------------------|----------|

Dimensions

| | |
|----------------|-------------------|
| Product Length | 19.76 mm[.778 in] |
|----------------|-------------------|

| | |
|----------------|-----------------|
| Product Height | 3.5 mm[.138 in] |
|----------------|-----------------|

Packaging Features

| | |
|------------------|-------------|
| Packaging Method | Tape & Reel |
|------------------|-------------|

| | |
|--------------------|----|
| Packaging Quantity | 20 |
|--------------------|----|

Configuration Features

| | |
|---------------------|---|
| Number of Positions | 7 |
|---------------------|---|

| | |
|--------------------|---|
| Number of Switches | 7 |
|--------------------|---|

| | |
|----------------------------|----------------------------|
| Configuration (Pole-Throw) | Single Pole - Single Throw |
|----------------------------|----------------------------|



Body Features

| | |
|----------------|-----------------------------|
| Actuator Color | White |
| Case Color | Black |
| Case Material | Polyphenylene Sulfide (PPS) |

Contact Features

| | |
|---|--------------|
| | 1.2 μin |
| PCB Contact Termination Area Plating Material | Nickel |
| Switch Contact Plating Material | Gold Flash |
| Contact Base Material | Copper Alloy |

Product Type Features

| | |
|-----------------------|--------------------------------|
| Leg Style | Gull Wing |
| DIP & SIP Switch Type | DIP |
| Sealed Device | No |
| Actuator Style | Flush Actuator, Slide Actuator |

Usage Conditions

| | |
|-----------------------------|-------------|
| Operating Temperature Range | -30 – 85 °C |
|-----------------------------|-------------|

Electrical Characteristics

| | |
|------------------------|-------|
| Contact Current Rating | 1 A |
| Operating Voltage | 5 VDC |

Termination Features

| | |
|---------------------------|---------------|
| Termination Method to PCB | Surface Mount |
|---------------------------|---------------|

Housing Features

| | |
|--------------------|----------------|
| Centerline (Pitch) | 2.54 mm[.1 in] |
|--------------------|----------------|

Other

| | |
|--------------------|-----------|
| EU RoHS Compliance | Compliant |
| EU ELV Compliance | Compliant |

Product Compliance

[For compliance documentation, visit the product page on TE.com>](#)

| | |
|---|---|
| EU RoHS Directive 2011/65/EU | Compliant |
| EU ELV Directive 2000/53/EC | Compliant |
| China RoHS 2 Directive MIIT Order No 32, 2016 | No Restricted Materials Above Threshold |

EU REACH Regulation (EC) No. 1907/2006

Current ECHA Candidate List: JUNE 2024 (241)

Candidate List Declared Against: JUNE 2022 (224)

Does not contain REACH SVHC

Halogen Content

BFR/CFR/PVC Free, but Br/Cl >900 ppm in other sources.

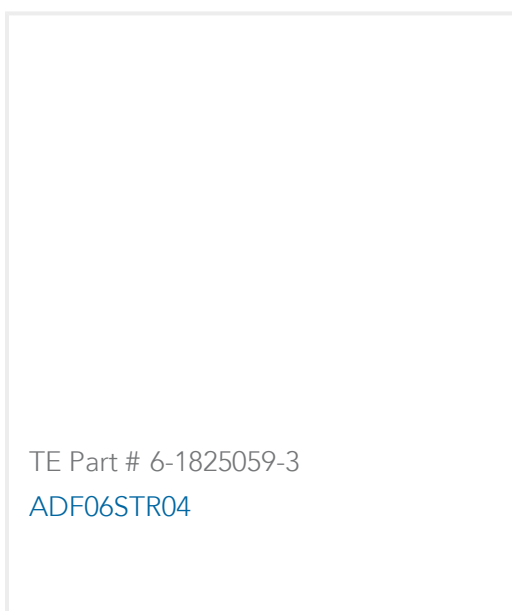
Solder Process Capability

Reflow solder capable to 260°C

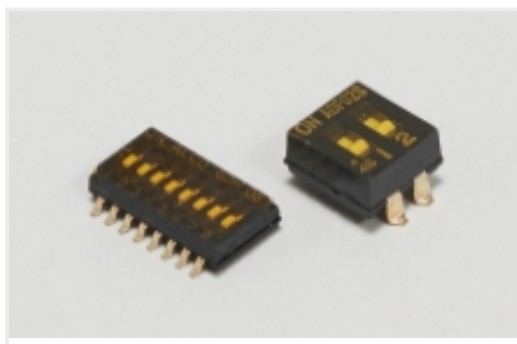
Product Compliance Disclaimer

This information is provided based on reasonable inquiry of our suppliers and represents our current actual knowledge based on the information they provided. This information is subject to change. The part numbers that TE has identified as EU RoHS compliant have a maximum concentration of 0.1% by weight in homogenous materials for lead, hexavalent chromium, mercury, PBB, PBDE, DBP, BBP, DEHP, DIBP, and 0.01% for cadmium, or qualify for an exemption to these limits as defined in the Annexes of Directive 2011/65/EU (RoHS2). Finished electrical and electronic equipment products will be CE marked as required by Directive 2011/65/EU. Components may not be CE marked. Additionally, the part numbers that TE has identified as EU ELV compliant have a maximum concentration of 0.1% by weight in homogenous materials for lead, hexavalent chromium, and mercury, and 0.01% for cadmium, or qualify for an exemption to these limits as defined in the Annexes of Directive 2000/53/EC (ELV). Regarding the REACH Regulation, the information TE provides on SVHC in articles for this part number is based on the latest European Chemicals Agency (ECHA) 'Guidance on requirements for substances in articles' posted at this URL: <https://echa.europa.eu/guidance-documents/guidance-on-reach>

Compatible Parts



Also in the Series | [Alcoswitch ADF](#)



DIP & SIP Switches(10)

Customers Also Bought



TE Part #CAT-AM71-CH8172
AMP SUPERSEAL 1.5MM,
CONNECTOR HOUSING



TE Part #DT04-2P
REC, 2P, GRY, N



TE Part #DT06-2S
PLG, 2P, GRY, N



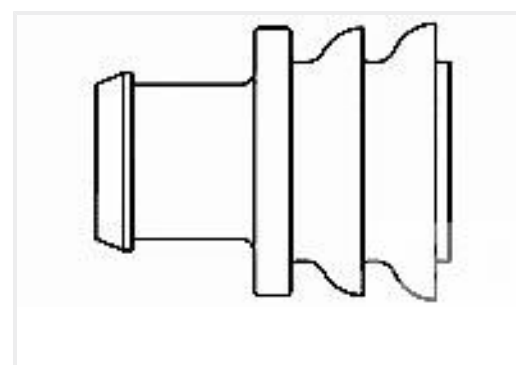
TE Part #CAT-D487-W416
Wedgelocks: DEUTSCH DT



TE Part #CAT-D48-ST273
DEUTSCH Solid Contacts



TE Part #114017-ZZ
SEALING PLUG, SIZE 12/16, WHT



TE Part #281934-2
SINGLE WIRE SEAL

Documents

CAD Files

3D PDF

3D

Customer View Model

[ENG_CVM_CVM_3-1825059-1_B.2d_dxf.zip](#)

English

Customer View Model

[ENG_CVM_CVM_3-1825059-1_B.3d_igs.zip](#)

English

Customer View Model

[ENG_CVM_CVM_3-1825059-1_B.3d_stp.zip](#)

English

By downloading the CAD file I accept and agree to the [Terms and Conditions](#) of use.

Datasheets & Catalog Pages

[SWITCHES_CORE_PROGRAM_CATALOG](#)

English

3-1825059-1

DIP Switch, Gold Flash Contact Plating, Black, Polyphenylene Sulfide (PPS), 7 Switch,
-30 – 85 °C, Flush Actuator / Slide Actuator, Alcoswitch ADF

