

3-1761711-1 ✓ ACTIVE

AMP-LATCH

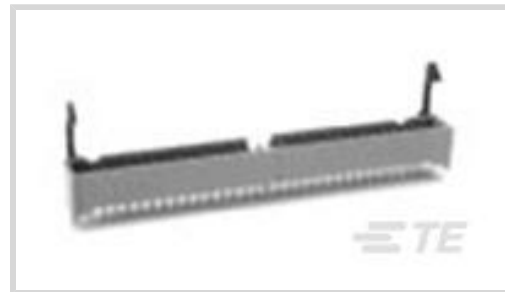
TE Internal #: 3-1761711-1

Wire-to-Board, 34 Position, 2.54 mm [.1 in] Centerline, Vertical, Through Hole - Solder, 2 Row, Plug, Low Profile, Ribbon Cable Connectors

[View on TE.com >](#)



Connectors > PCB Connectors > Wire-to-Board Connectors > FFC, FPC & Ribbon Connectors > Ribbon Cable Connectors



Connector System: **Wire-to-Board**

Number of Positions: **34**

Centerline (Pitch): **2.54 mm [.1 in]**

PCB Mount Retention: **Without**

PCB Mount Orientation: **Vertical**

Features

Usage Conditions

Housing Temperature Rating	High
----------------------------	------

Industry Standards

UL Flammability Rating	UL 94V-0
------------------------	----------

Contact Features

Contact Underplating Material	Nickel
-------------------------------	--------

Contact Mating Area Plating Material Thickness	.762 μm[30 μin]
--	-----------------

Mating Square Post Dimension	.64 mm[.025 in]
------------------------------	-----------------

Contact Shape & Form	Square
----------------------	--------

PCB Contact Termination Area Plating Material Thickness	2.54 μm[100 μin]
---	------------------

Contact Mating Area Plating Material	Gold Flash
--------------------------------------	------------

Contact Base Material	Phosphor Bronze
-----------------------	-----------------

PCB Contact Termination Area Plating Material	Tin
---	-----

Contact Type	Pin
--------------	-----

Packaging Features

Packaging Quantity	50
--------------------	----

Packaging Method	Package
------------------	---------

Body Features

Primary Product Color	Blue
-----------------------	------



Connector Profile	Low
-------------------	-----

Dimensions

Shrouded End Dimension	3.76 mm[.148 in]
Connector Height	10.26 mm[.4 in]
Connector Length	50.8 mm[2 in]
Row-to-Row Spacing	2.54 mm[.1 in]

Termination Features

Termination Post & Tail Diameter	.64 mm[.025 in]
Termination Post & Tail Length	4.11 mm[.162 in]
Termination Method to PCB	Through Hole - Solder

Mechanical Attachment

Panel Mount Feature	Without
Mating Alignment	With
PCB Mount Alignment	Without
PCB Mount Retention	Without
Mating Alignment Type	Center
Mating Retention	With
Mating Retention Type	Ejection Latch
Connector Mounting Type	Board Mount

Housing Features

Mating Entry Location	Top
Housing Material	PBT
Centerline (Pitch)	2.54 mm[.1 in]

Product Type Features

Connector Product Type	Connector Assembly
Connector Mating Latch & Lock Type	Long
Ribbon Cable Connector Header Type	Pin Header
Connector System	Wire-to-Board
Connector & Housing Type	Plug
Connector & Contact Terminates To	Printed Circuit Board

Configuration Features

Number of Positions	34
---------------------	----



PCB Mount Orientation	Vertical
-----------------------	----------

Number of Rows	2
----------------	---

Operation/Application

Circuit Application	Signal
---------------------	--------

Other

EU RoHS Compliance	Compliant
--------------------	-----------

EU ELV Compliance	Compliant
-------------------	-----------

Product Compliance

[For compliance documentation, visit the product page on TE.com>](#)

EU RoHS Directive 2011/65/EU	Compliant
------------------------------	-----------

EU ELV Directive 2000/53/EC	Compliant
-----------------------------	-----------

China RoHS 2 Directive MIIT Order No 32, 2016	No Restricted Materials Above Threshold
---	---

EU REACH Regulation (EC) No. 1907/2006	Current ECHA Candidate List: JUNE 2024 (241) Candidate List Declared Against: JUNE 2024 (241) Does not contain REACH SVHC
--	---

Halogen Content	Not Low Halogen - contains Br or Cl > 900 ppm.
-----------------	--

Solder Process Capability	Wave solder capable to 265°C
---------------------------	------------------------------

Product Compliance Disclaimer

This information is provided based on reasonable inquiry of our suppliers and represents our current actual knowledge based on the information they provided. This information is subject to change. The part numbers that TE has identified as EU RoHS compliant have a maximum concentration of 0.1% by weight in homogenous materials for lead, hexavalent chromium, mercury, PBB, PBDE, DBP, BBP, DEHP, DIBP, and 0.01% for cadmium, or qualify for an exemption to these limits as defined in the Annexes of Directive 2011/65/EU (RoHS2). Finished electrical and electronic equipment products will be CE marked as required by Directive 2011/65/EU. Components may not be CE marked. Additionally, the part numbers that TE has identified as EU ELV compliant have a maximum concentration of 0.1% by weight in homogenous materials for lead, hexavalent chromium, and mercury, and 0.01% for cadmium, or qualify for an exemption to these limits as defined in the Annexes of Directive 2000/53/EC (ELV). Regarding the REACH Regulation, the information TE provides on SVHC in articles for this part number is based on the latest European Chemicals Agency (ECHA) 'Guidance on requirements for substances in articles' posted at this URL: <https://echa.europa.eu/guidance-documents/guidance-on-reach>

Compatible Parts




TE Part # 3-6437021-6
609-3441CELF=FSKT IDC S 34 30A



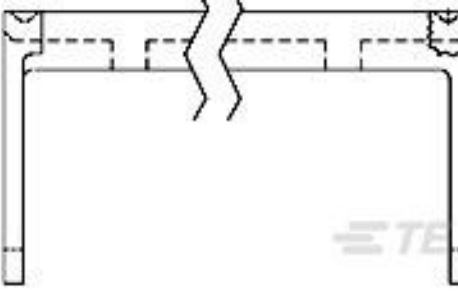
TE Part # 1-1658526-8
609-3430LF FEM SOCKET,LEAD FREE



TE Part # 1-1658526-9
609-3441LF FEM SOCKET,LEAD FREE



TE Part # 2-1658527-8
622-3441LF=FSKT IDC S 34 30AU



TE Part # 3-1437021-2
609-3431HD=FSKT IDC S 34 SR



TE Part # 1658528-6
636-3441LF FEM SOCKET,LEAD FREE



TE Part # 1658621-8
34 NOVO MIL/CTR 15DP,LEAD FREE



TE Part # 499252-6
034 STRAIN RELIEF A-L RCPT



TE Part # 1658623-8
34 NOVO MIL 30DP, LEAD FREE



TE Part # 1658620-8
34 NOVO MIL 15DP, LEAD FREE



TE Part # 1658622-8
34 NOVO MIL/CTR 30DP,LEAD FREE

Customers Also Bought



TE Part #2-1761606-7
IDC LOW PRO HDR 20P VERT LA



TE Part #5103309-5
A/L LOW PRO HDR 20P VERT BLACK



TE Part #2199119-4
M.2 0.5PITCH 3.2H KEY E 15U" AU



TE Part #DT13-48PABCD-R015
HDR, 48P, BLK, RA EEC, NI/CU, ABCD



TE Part #5205818-3
FEMALE SCREWLOCK,PLTD



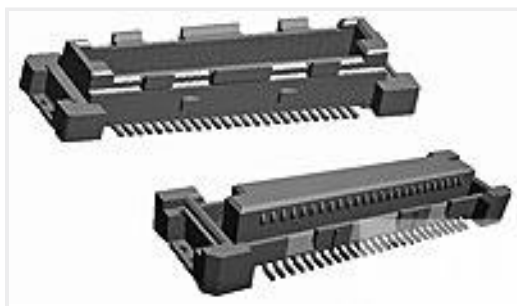
TE Part #7-2176369-7
RQ 0603 249R 0.1% 10PPM 5K RL



TE Part #1-2176325-8
CRGP 0402 270R 1%



TE Part #3-647166-2
2P MTA100 HDR ASSY,SM,FL,LF



TE Part #1-5353190-0
.6FHR04H,140,S,GIG,08/Sn,TR,NSYes



TE Part #5103309-7
A/L LOW PRO HDR 34P VERT BLACK

Documents

Product Drawings

[IDC LOW PRO HDR 34P VERT LA](#)

English

CAD Files

[3D PDF](#)

3D

Customer View Model

[ENG_CVM_CVM_3-1761711-1_C.2d_dxf.zip](#)

English

Customer View Model

[ENG_CVM_CVM_3-1761711-1_C.3d_igs.zip](#)

English

Customer View Model

[ENG_CVM_CVM_3-1761711-1_C.3d_stp.zip](#)

English

By downloading the CAD file I accept and agree to the [Terms and Conditions](#) of use.