



Relays & Contactors > Electromechanical Relays



Relay & Contactor Type: **High Voltage Relay**

Current Type: **DC**

Contact Arrangement: **1 Form C SPDT-CO**

Contact Current Rating: **18 A**

Coil Voltage Rating: **26.5 VDC**

Features

Mechanical Attachment

Product Mounting Feature Type	Hex Nut
Product Mount Type	Panel Mount

Electrical Characteristics

Coil Resistance	335 Ω
Contact Switching Voltage (Max)	3.5 VDC
Contact Current Rating	18 A
Coil Voltage Rating	26.5 VDC
Contact Voltage Rating	3.5 VDC

Configuration Features

Relay Options	Power Switching, RF Rated
Contact Arrangement	1 Form C SPDT-CO

Product Type Features

Relay & Contactor Type	High Voltage Relay
------------------------	--------------------

Operation/Application

Current Type	DC
--------------	----

Termination Features

Main Termination & Connection Type	Bifurcated Terminal
Coil Termination & Connection Type	Turret Terminals



Other

EU RoHS Compliance	Not Compliant
EU ELV Compliance	Not Compliant

Product Compliance

[For compliance documentation, visit the product page on TE.com>](#)

EU RoHS Directive 2011/65/EU	Not Compliant
EU ELV Directive 2000/53/EC	Not Compliant
China RoHS 2 Directive MIIT Order No 32, 2016	Restricted Materials Above Threshold
EU REACH Regulation (EC) No. 1907/2006	Current ECHA Candidate List: JUNE 2024 (241) Candidate List Declared Against: JAN 2022 (223) Does not contain REACH SVHC
Halogen Content	Low Halogen - Br, Cl, F, I < 900 ppm per homogenous material. Also BFR/CFR/PVC Free
Solder Process Capability	Not lead free process capable

Product Compliance Disclaimer

This information is provided based on reasonable inquiry of our suppliers and represents our current actual knowledge based on the information they provided. This information is subject to change. The part numbers that TE has identified as EU RoHS compliant have a maximum concentration of 0.1% by weight in homogenous materials for lead, hexavalent chromium, mercury, PBB, PBDE, DBP, BBP, DEHP, DIBP, and 0.01% for cadmium, or qualify for an exemption to these limits as defined in the Annexes of Directive 2011/65/EU (RoHS2). Finished electrical and electronic equipment products will be CE marked as required by Directive 2011/65/EU. Components may not be CE marked. Additionally, the part numbers that TE has identified as EU ELV compliant have a maximum concentration of 0.1% by weight in homogenous materials for lead, hexavalent chromium, and mercury, and 0.01% for cadmium, or qualify for an exemption to these limits as defined in the Annexes of Directive 2000/53/EC (ELV). Regarding the REACH Regulation, the information TE provides on SVHC in articles for this part number is based on the latest European Chemicals Agency (ECHA) 'Guidance on requirements for substances in articles' posted at this URL: <https://echa.europa.eu/guidance-documents/guidance-on-reach>

Compatible Parts



Also in the Series | Kilovac HC



DC Relays(11)

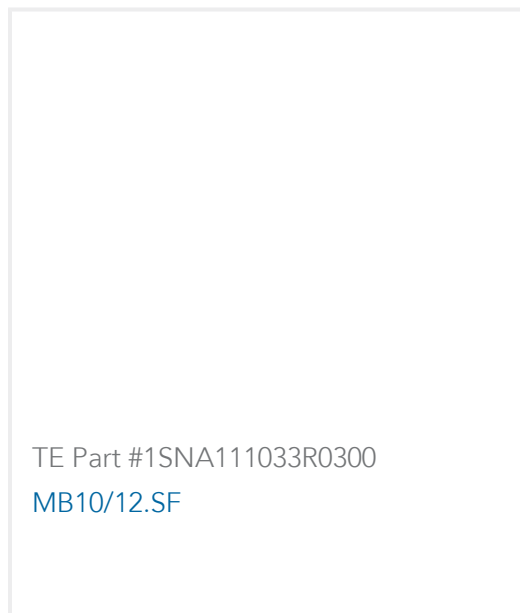


High Voltage Relays(11)

Customers Also Bought



TE Part #2372208-1
SDE HDT-1561-NG DEUTSCH 16-20AWG ASSY



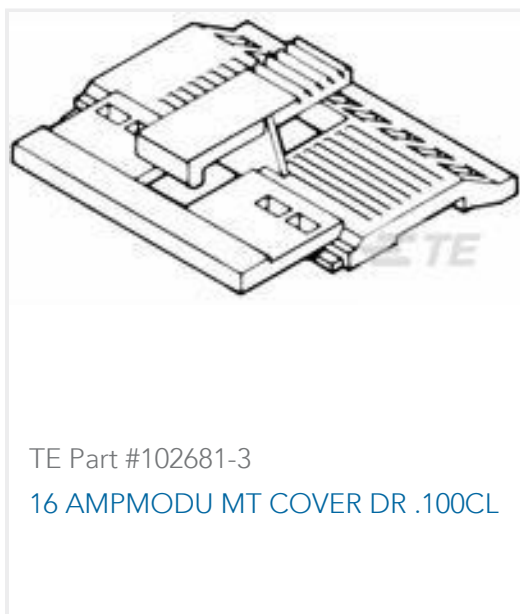
TE Part #1SNA111033R0300
MB10/12.SF



TE Part #EC6406-000
13611101



TE Part #2106135-4
Assembly, Free Hanging Plug, SLC, 4 pos



TE Part #102681-3
16 AMPMODU MT COVER DR .100CL



TE Part #8-1879253-3
RP 2B 20R 0.1% 15PPM 1K RL



TE Part #2106123-2
Contact, Receptacle, Tin Plated, Loose P



TE Part #DT06-08SC
PLG, 8P, GRN, N, C



TE Part #EC6505-000
13611606



TE Part #1SNA117628R2200
FEM12S

Documents

Product Drawings

[HC-3=RELAY, VACUUM, SPDT](#)

English

Datasheets & Catalog Pages

[5-1773450-5_sec7_HC-1](#)

English

HC-3

High Voltage Relay, DC, 1 Form C SPDT-CO, 18 A Contact Rating, 26.5 VDC Coil Voltage, 3.5 VDC Contact Voltage, Panel Mount, Kilovac HC

