



Relays & Contactors > Electromechanical Relays



Relay & Contactor Type: **High Voltage Relay**

Contact Arrangement: **1 Form C SPDT-CO**

Current Type: **DC**

Contact Current Rating: **25 A**

Coil Voltage Rating: **12 VDC**

## Features

### Product Type Features

Relay & Contactor Type	High Voltage Relay
------------------------	--------------------

### Configuration Features

Relay Options	Power Switching, RF Rated
Contact Arrangement	1 Form C SPDT-CO

### Electrical Characteristics

Contact Current Rating	25 A
Coil Voltage Rating	12 VDC
Contact Voltage Rating	10 VDC
Coil Resistance	70 Ω

### Termination Features

Main Termination & Connection Type	Solder Terminals
Coil Termination & Connection Type	Turret Terminals

### Mechanical Attachment

Product Mounting Feature Type	Flanged
Product Mount Type	Panel Mount

### Operation/Application

Current Type	DC
--------------	----



Other

Contact Current Class	>16 – ≤25 A
-----------------------	-------------

Product Compliance

[For compliance documentation, visit the product page on TE.com>](#)

EU RoHS Directive 2011/65/EU	Compliant
EU ELV Directive 2000/53/EC	Not Compliant
China RoHS 2 Directive MIIT Order No 32, 2016	有害物质含量符合标准要求 No Restricted Substance(s) Above Threshold
EU REACH Regulation (EC) No. 1907/2006	Current ECHA Candidate List: JUNE 2025 (250) Candidate List Declared Against: JAN 2025 (247) SVHC > Threshold: TBBPA (33.33% in 10633904965) <b>Article Safe Usage Statements:</b> Do not eat, drink or smoke when using this product. Wash thoroughly after handling. Recycle if possible and dispose of the article by following all applicable governmental regulations relevant to your geographic location.
Halogen Content	Low Halogen - Br, Cl, F < 900 ppm per homogenous material. Also BFR/CFR/PVC Free
Solder Process Capability	Not lead free process capable

Product Compliance Disclaimer

This information is provided based on reasonable inquiry of our suppliers and represents our current actual knowledge based on the information they provided. This information is subject to change. The part numbers that TE has identified as EU RoHS compliant have a maximum concentration of 0.1% by weight in homogenous materials for lead, hexavalent chromium, mercury, PBB, PBDE, DBP, BBP, DEHP, DIBP, and 0.01% for cadmium, or qualify for an exemption to these limits as defined in the Annexes of Directive 2011/65/EU (RoHS2). Finished electrical and electronic equipment products will be CE marked as required by Directive 2011/65/EU. Components may not be CE marked. Additionally, the part numbers that TE has identified as EU ELV compliant have a maximum concentration of 0.1% by weight in homogenous materials for lead, hexavalent chromium, and mercury, and 0.01% for cadmium, or qualify for an exemption to these limits as defined in the Annexes of Directive 2000/53/EC (ELV). Regarding the REACH Regulation, the information TE provides on SVHC in articles for this part number is based on the latest European Chemicals Agency (ECHA) 'Guidance on requirements for substances in articles' posted at this URL: <https://echa.europa.eu/guidance-documents/guidance-on-reach>

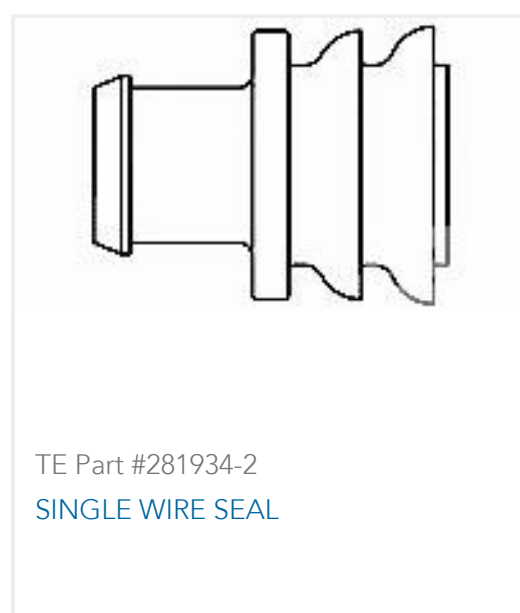
Compatible Parts



### Also in the Series | Kilovac K43



### Customers Also Bought



### Documents

#### Product Drawings

[K43C734=RELAY, VACUUM, SPDT](#)

English

#### Datasheets & Catalog Pages

[5-1773450-5\\_sec7\\_K43](#)

English

K43C734

High Voltage Relay, DC, 1 Form C SPDT-CO, 25 A Contact Rating, 12 VDC Coil  
Voltage, 10 VDC Contact Voltage, Panel Mount, Kilovac K43

