

3-1437719-3 ✓ ACTIVE



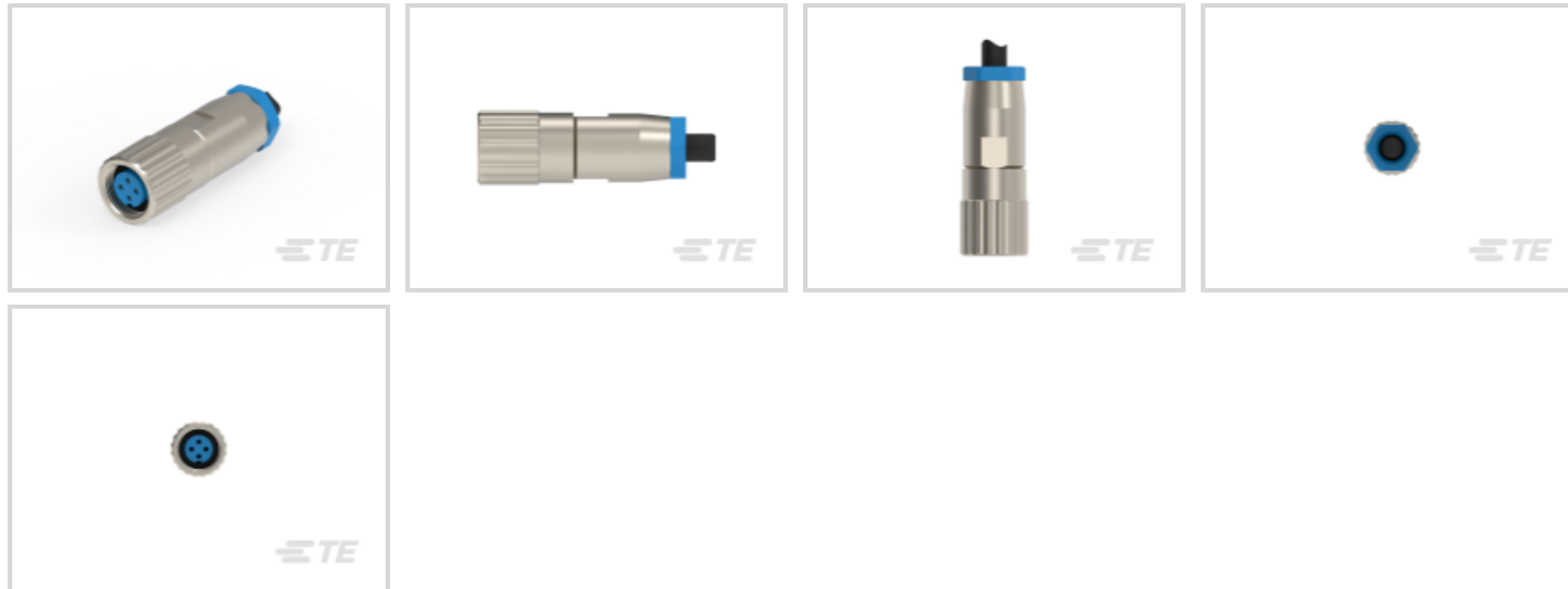
[Triad 01 Cable Plug](#), [Triad 01 Solder](#)

TE Internal #: 3-1437719-3

4 Position Circular Connector, Cable-to-Cable, Sealable, Wire & Cable, Signal, Cable Mount (Free-Hanging), Reverse Gender, Nickel, Triad 01 Cable Plug

[View on TE.com >](#)

Connectors > Circular Connectors > Standard Circular Connectors



Number of Positions: 4

Connector System: **Cable-to-Cable**

Sealable: **Yes**

Connector & Contact Terminates To: **Wire & Cable**

Contact Current Rating (Max): **3 A**

Features

Electrical Characteristics

Operating Voltage	60 VAC
-------------------	--------

Industry Standards

UL Flammability Rating	UL 94V-2
------------------------	----------

Termination Features

Termination Method to Wire & Cable	Solder
------------------------------------	--------

Packaging Features

Packaging Quantity	25
--------------------	----

Dimensions

Compatible Insulation Diameter Range	5 mm
--------------------------------------	------

Assembly Length	38 mm
-----------------	-------

Wire Size	24 AWG
-----------	--------

Body Features

Environmental Protection Type	Sealed
-------------------------------	--------



Environmental Protection	IP65
--------------------------	------

Shell Plating Material	Nickel
------------------------	--------

Shell Base Material	CuZn
---------------------	------

Circular Connector Insulation Material Type	PBT
---	-----

Hermetically Sealed	No
---------------------	----

Mechanical Attachment

Mating Alignment	With
------------------	------

Connector Mounting Type	Cable Mount (Free-Hanging)
-------------------------	----------------------------

Mating Alignment Type	Polarization
-----------------------	--------------

Mating Retention	With
------------------	------

Operation/Application

Durability Rating	500 Cycles
-------------------	------------

Circuit Application	Signal
---------------------	--------

Shielded	No
----------	----

Product Type Features

Prewired	Yes
----------	-----

Connector Product Type	Connector Assembly
------------------------	--------------------

Connector System	Cable-to-Cable
------------------	----------------

Sealable	Yes
----------	-----

Connector & Contact Terminates To	Wire & Cable
-----------------------------------	--------------

Circular Connector Type	Receptacle
-------------------------	------------

Shell Type	Metal
------------	-------

Configuration Features

Number of Positions	4
---------------------	---

Number of Power Positions	0
---------------------------	---

Number of Signal Positions	4
----------------------------	---

Contacts Preloaded	Yes
--------------------	-----

Contact Features

Contact Current Rating (Max)	3 A
------------------------------	-----

Reverse Gender	Yes
----------------	-----

Contact Layout Arrangement	Circular
----------------------------	----------

Circular Connector Contact Type	Socket
---------------------------------	--------

Usage Conditions

Operating Temperature Range	-40 – 80 °C[-40 – 176 °F]
-----------------------------	---------------------------

Other

EU RoHS Compliance	Compliant with Exemptions
EU ELV Compliance	Compliant with Exemptions

Product Compliance

[For compliance documentation, visit the product page on TE.com>](#)

EU RoHS Directive 2011/65/EU	Compliant with Exemptions
EU ELV Directive 2000/53/EC	Compliant with Exemptions
China RoHS 2 Directive MIIT Order No 32, 2016	Restricted Materials Above Threshold
EU REACH Regulation (EC) No. 1907/2006	Current ECHA Candidate List: JUNE 2024 (241) Candidate List Declared Against: JUNE 2024 (241) SVHC > Threshold: Pb (3% in Component Part)

Article Safe Usage Statements:

Do not eat, drink or smoke when using this product. Wash thoroughly after handling. Recycle if possible and dispose of the article by following all applicable governmental regulations relevant to your geographic location.

Halogen Content	Low Halogen - Br, Cl, F, I < 900 ppm per homogenous material. Also BFR/CFR/PVC Free
Solder Process Capability	Hand solderable with lead free solder

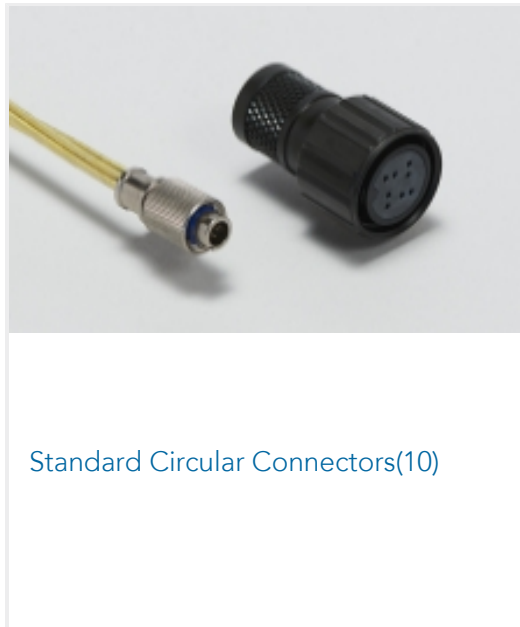
Product Compliance Disclaimer

This information is provided based on reasonable inquiry of our suppliers and represents our current actual knowledge based on the information they provided. This information is subject to change. The part numbers that TE has identified as EU RoHS compliant have a maximum concentration of 0.1% by weight in homogenous materials for lead, hexavalent chromium, mercury, PBB, PBDE, DBP, BBP, DEHP, DIBP, and 0.01% for cadmium, or qualify for an exemption to these limits as defined in the Annexes of Directive 2011/65/EU (RoHS2). Finished electrical and electronic equipment products will be CE marked as required by Directive 2011/65/EU. Components may not be CE marked. Additionally, the part numbers that TE has identified as EU ELV compliant have a maximum concentration of 0.1% by weight in homogenous materials for lead, hexavalent chromium, and mercury, and 0.01% for cadmium, or qualify for an exemption to these limits as defined in the Annexes of Directive 2000/53/EC (ELV). Regarding the REACH Regulation, the information TE provides on SVHC in articles for this part number is based on the latest European Chemicals Agency (ECHA) 'Guidance on requirements for substances in articles' posted at this URL: <https://echa.europa.eu/guidance-documents/guidance-on-reach>

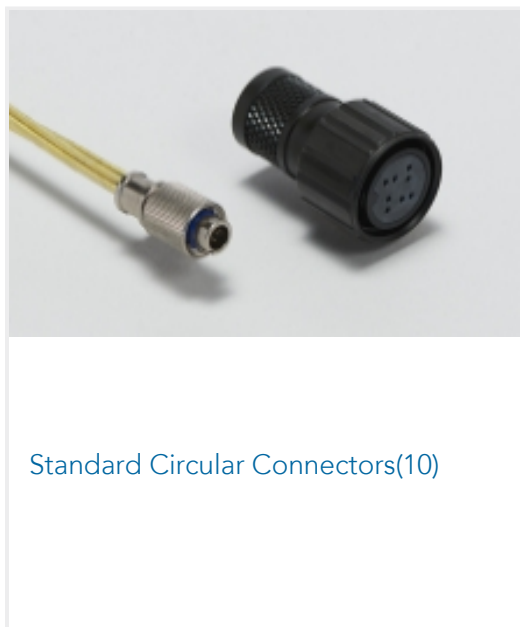
Compatible Parts



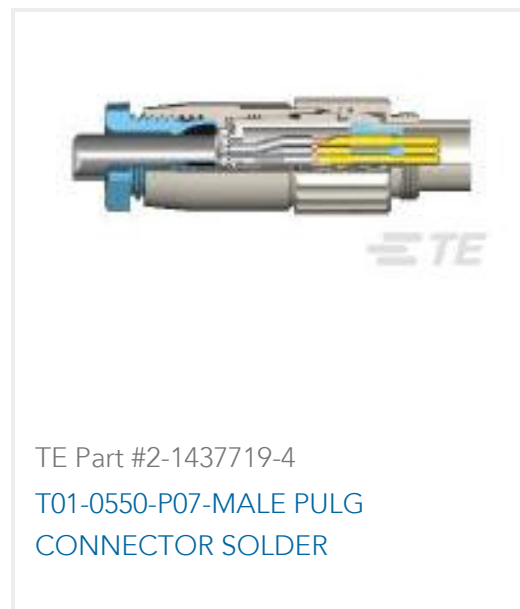
Also in the Series | [Triad 01 Cable Plug](#)

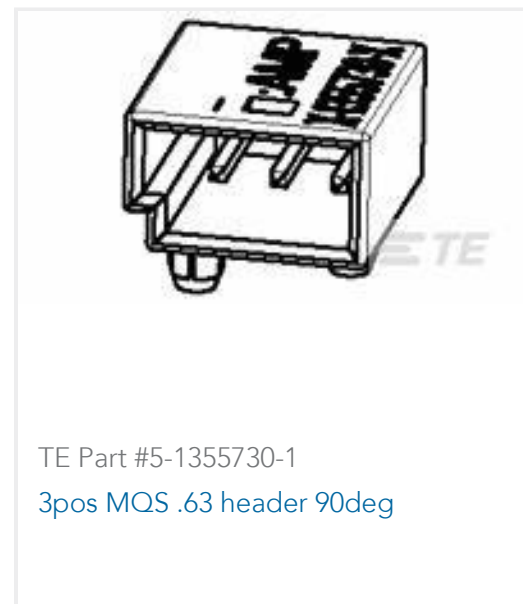
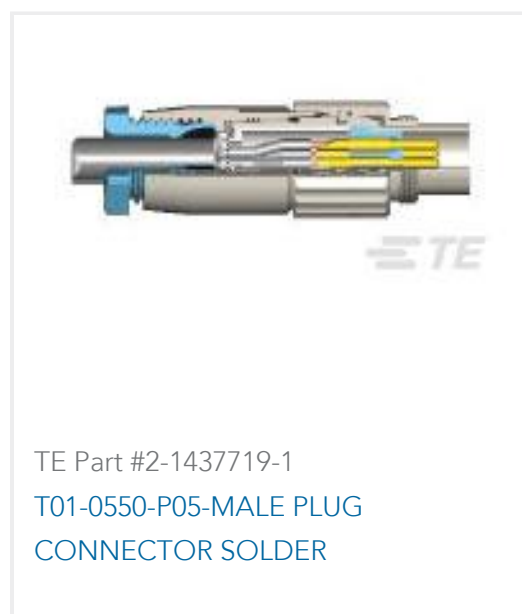


Also in the Series | [Triad 01 Solder](#)



Customers Also Bought





Documents

Product Drawings

[T01-0550-S04-FEMALE PLUG CONNECTOR SOLDE](#)

English

[T01-0550-S04-FEMALE PLUG CONNECTOR SOLDE](#)

English

CAD Files

[3D PDF](#)

3D

Customer View Model

[ENG_CVM_CVM_3-1437719-3_B.2d_dxf.zip](#)

English

Customer View Model

[ENG_CVM_CVM_3-1437719-3_B.3d_igs.zip](#)

English

Customer View Model

[ENG_CVM_CVM_3-1437719-3_B.3d_stp.zip](#)

English

By downloading the CAD file I accept and agree to the [Terms and Conditions](#) of use.

Datasheets & Catalog Pages

[M8 / M12 Connector System Catalog](#)

English

Product Specifications

[Product Specification](#)

English

3-1437719-3

4 Position Circular Connector, Cable-to-Cable, Sealable, Wire & Cable, Signal, Cable Mount (Free-Hanging), Reverse Gender, Nickel, Triad 01 Cable Plug

