

# SWK121F315 ✕ OBSOLETE

Alcoswitch

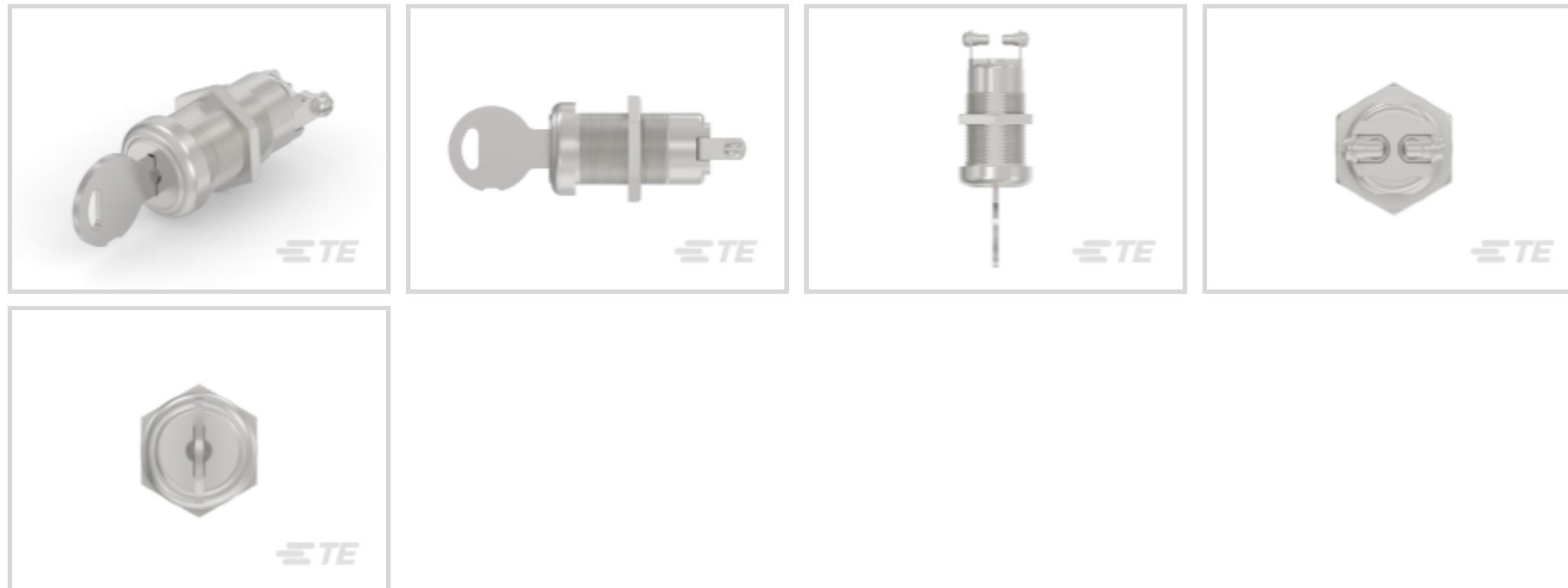
TE Internal #: 3-1437597-6

TE Internal Description: SWK121F315=SW KEY LOCK KEY F-3

[View on TE.com >](#)



Switches > Keylock Switches



Contact Current Rating: **15 A, 5 A**

Configuration (Pole-Throw): **Single Pole - Single Throw**

Operating Voltage: **24 VDC**

Operating Function: **Position 2 Off, Position 1 On**

## Features

### Mechanical Attachment

Product Mount Type

Panel Mount

### Operation/Application

Durability Rating

20000 Cycles

### Product Type Features

Frame Material

Polished Chrome

Switch Connection Type

Screw

Switch Type

Key Lock Switch

### Usage Conditions

Oil-Tight

No

Operating Temperature (Max)

85 °C

### Body Features

Actuator Travel

90°

Actuator Material

Brass

Key Changes

25 Standard

Body Material

Zinc Alloy

### Configuration Features

Number of Positions	2
Configuration (Pole-Throw)	Single Pole - Single Throw
Operating Function	Position 2 Off, Position 1 On
Panel Cutout Size	19.3 x 17.7 mm [.76 x .64 in]

### Electrical Characteristics

Dielectric Withstanding Voltage (Max)	1000 VAC
Contact Current Rating	15 A, 5 A
Operating Voltage	24 VDC
Contact Resistance	50 mΩ

### Housing Features

Remove Key	Position 2
Cylinder Material	Zinc Alloy

### Other

Soldering Type	Hand
EU RoHS Compliance	Compliant
EU ELV Compliance	Compliant

### Contact Features

Contact Finish	Silver
----------------	--------

### Product Compliance

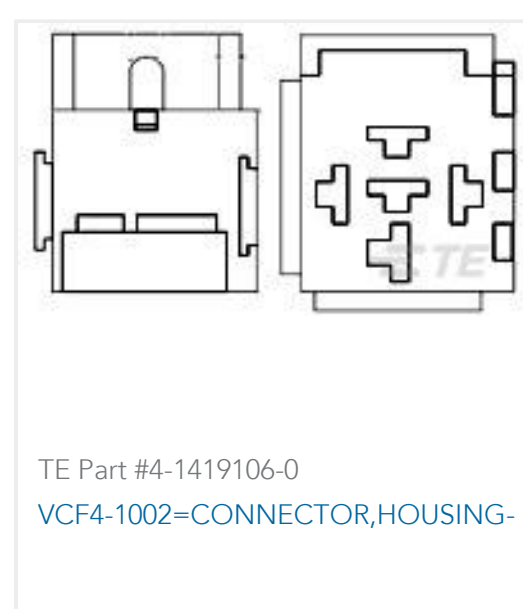
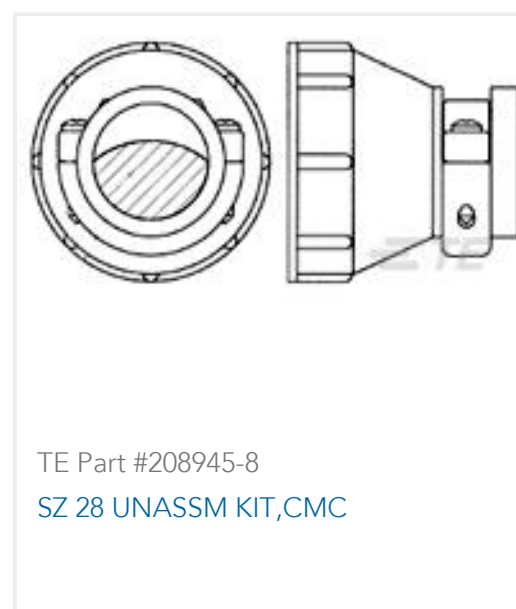
[For compliance documentation, visit the product page on TE.com>](#)

EU RoHS Directive 2011/65/EU	Compliant
EU ELV Directive 2000/53/EC	Compliant
China RoHS 2 Directive MIIT Order No 32, 2016	No Restricted Materials Above Threshold
EU REACH Regulation (EC) No. 1907/2006	Current ECHA Candidate List: JUNE 2024 (241) Candidate List Declared Against: JUNE 2023 (235) Does not contain REACH SVHC
Halogen Content	Low Halogen - Br, Cl, F, I < 900 ppm per homogenous material. Also BFR/CFR/PVC Free
Solder Process Capability	Not applicable for solder process capability

#### Product Compliance Disclaimer

This information is provided based on reasonable inquiry of our suppliers and represents our current actual knowledge based on the information they provided. This information is subject to change. The part numbers that TE has identified as EU RoHS compliant have a maximum concentration of 0.1% by weight in homogenous materials for lead, hexavalent chromium, mercury, PBB, PBDE, DBP, BBP, DEHP, DIBP, and 0.01% for cadmium, or qualify for an exemption to these limits as defined in the Annexes of Directive 2011/65/EU (RoHS2). Finished electrical and electronic equipment products will be CE marked as required by Directive 2011/65/EU. Components may not be CE marked. Additionally, the part numbers that TE has identified as EU ELV compliant have a maximum concentration of 0.1% by weight in homogenous materials for lead, hexavalent chromium, and mercury, and 0.01% for cadmium, or qualify for an exemption to these limits as defined in the Annexes of Directive 2000/53/EC (ELV). Regarding the REACH Regulation, the information TE provides on SVHC in articles for this part number is based on the latest European Chemicals Agency (ECHA) 'Guidance on requirements for substances in articles' posted at this URL: <https://echa.europa.eu/guidance-documents/guidance-on-reach>

## Customers Also Bought



## Documents

[CAD Files](#)

[3D PDF](#)

[3D](#)

[Customer View Model](#)

[ENG\\_CVM\\_CVM\\_3-1437597-6\\_99.2d\\_dxf.zip](#)

English



Customer View Model

[ENG\\_CVM\\_CVM\\_3-1437597-6\\_99.3d\\_igs.zip](#)

English

Customer View Model

[ENG\\_CVM\\_CVM\\_3-1437597-6\\_99.3d\\_stp.zip](#)

English

By downloading the CAD file I accept and agree to the [Terms and Conditions](#) of use.

**Datasheets & Catalog Pages**

[SWITCHES\\_CORE\\_PROGRAM\\_CATALOG](#)

English