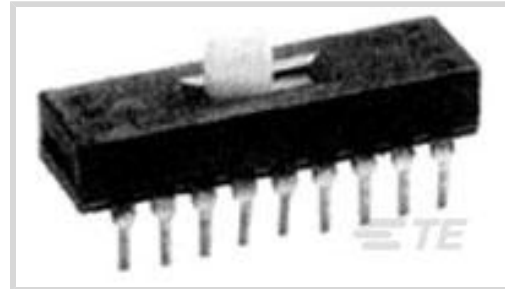




Switches > Slide Switches



Contact Current Rating: **.3 A**

Configuration (Pole-Throw): **Six Pole - Double Throw**

Contact Base Material: **Copper Alloy**

Number of Actuators: **Single**

Number of Positions: **2**

Features

Operation/Application

Assembly Process Feature	Auto-Insert Packaging
--------------------------	-----------------------

Industry Standards

UL Flammability Rating	UL 94V-0
------------------------	----------

Other

Grade	Telecom
-------	---------

Packaging Features

Packaging Method	Tube
------------------	------

Dimensions

Product Width	7.37 mm[.29 in]
Product Length	25.4 mm[1 in]
Actuator Length	2.79 mm[.11 in]

Termination Features

Termination Post & Tail Length	4.06 mm[.16 in]
Termination Method to PCB	Through Hole - Solder

Body Features

Actuator Orientation	Top
Actuator Profile	Extended
Actuator Material	Nylon
Actuator Color	White

Electrical Characteristics

Contact Current Rating	.3 A
Operating Voltage	28 VDC

Configuration Features

Configuration (Pole-Throw)	Six Pole - Double Throw
Number of Actuators	Single
Number of Positions	2
Operating Function	On On

Contact Features

Contact Base Material	Copper Alloy
Switch Contact Plating Material	Silver

Product Compliance

[For compliance documentation, visit the product page on TE.com>](#)

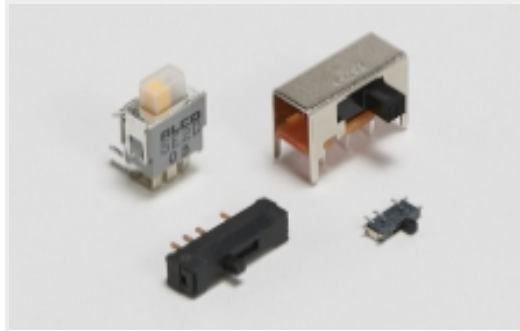
EU RoHS Directive 2011/65/EU	Not Yet Reviewed
EU ELV Directive 2000/53/EC	Not Yet Reviewed
China RoHS 2 Directive MIIT Order No 32, 2016	Restricted Materials Above Threshold
EU REACH Regulation (EC) No. 1907/2006	Current ECHA Candidate List: JUNE 2024 (241) Candidate List Declared Against: JUN 2018 (191) SVHC > Threshold: Not Yet Reviewed
Halogen Content	Not Yet Reviewed for halogen content
Solder Process Capability	Wave solder capable to 265°C

Product Compliance Disclaimer

This information is provided based on reasonable inquiry of our suppliers and represents our current actual knowledge based on the information they provided. This information is subject to change. The part numbers that TE has identified as EU RoHS compliant have a maximum concentration of 0.1% by weight in homogenous materials for lead, hexavalent chromium, mercury, PBB, PBDE, DBP, BBP, DEHP, DIBP, and 0.01% for cadmium, or qualify for an exemption to these limits as defined in the Annexes of Directive 2011/65/EU (RoHS2). Finished electrical and electronic equipment products will be CE marked as required by Directive 2011/65/EU. Components may not be CE marked. Additionally, the part numbers that TE has identified as EU ELV compliant have a maximum concentration of 0.1% by weight in homogenous materials for lead, hexavalent chromium, and mercury, and 0.01% for cadmium, or qualify for an exemption to these limits as defined in the Annexes of Directive 2000/53/EC (ELV). Regarding the REACH Regulations, TE's information on SVHC in articles for this part number is still based on the European Chemical Agency (ECHA) 'Guidance on requirements for substances in articles' (Version: 2, April 2011), applying the 0.1% weight on weight concentration threshold at the finished product level. TE is aware of the European Court of Justice ruling of September 10th, 2015 also known as O5A (Once An Article Always An Article) stating that, in case of 'complex object', the threshold for a SVHC must be applied to both the

product as a whole and simultaneously to each of the articles forming part of its composition. TE has evaluated this ruling based on the new ECHA "Guidance on requirements for substances in articles" (June 2017, version 4.0) and will be updating its statements accordingly.

Also in the Series | [Alcoswitch ASE/F](#)



Slide Switches(46)

Customers Also Bought



TE Part #CAT-AM71-CH8172
AMP SUPERSEAL 1.5MM,
CONNECTOR HOUSING



TE Part #114017-ZZ
SEALING PLUG, SIZE 12/16, WHT



TE Part #DT04-2P
REC, 2P, GRY, N



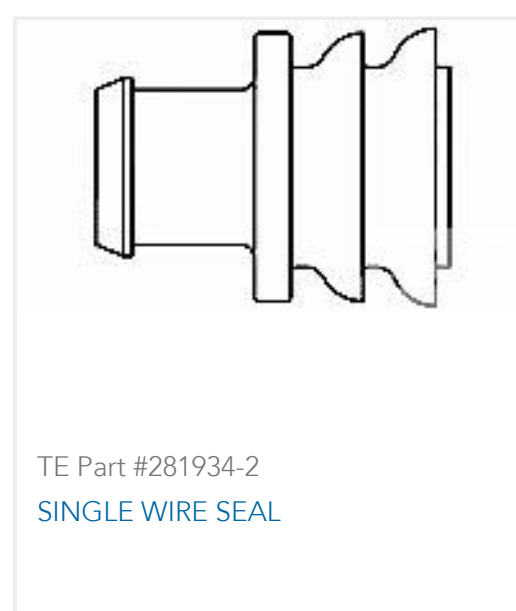
TE Part #DT06-2S
PLG, 2P, GRY, N



TE Part #CAT-D487-W416
Wedgelocks: DEUTSCH DT



TE Part #CAT-D48-ST273
DEUTSCH Solid Contacts



TE Part #281934-2
SINGLE WIRE SEAL

Documents

Product Drawings

[ASE62=6PDT AUTO-SLIDE](#)

English

CAD Files

Customer View Model

[ENG_CVM_CVM_3-1437581-1_L.3d_igs.zip](#)

English

Customer View Model

[ENG_CVM_CVM_3-1437581-1_L.3d_stp.zip](#)

English



Customer View Model

[ENG_CVM_CVM_3-1437581-1_L.2d_dxf.zip](#)

English

[3D PDF](#)

3D

By downloading the CAD file I accept and agree to the [Terms and Conditions](#) of use.

Datasheets & Catalog Pages

[SWITCHES_CORE_PROGRAM_CATALOG](#)

English