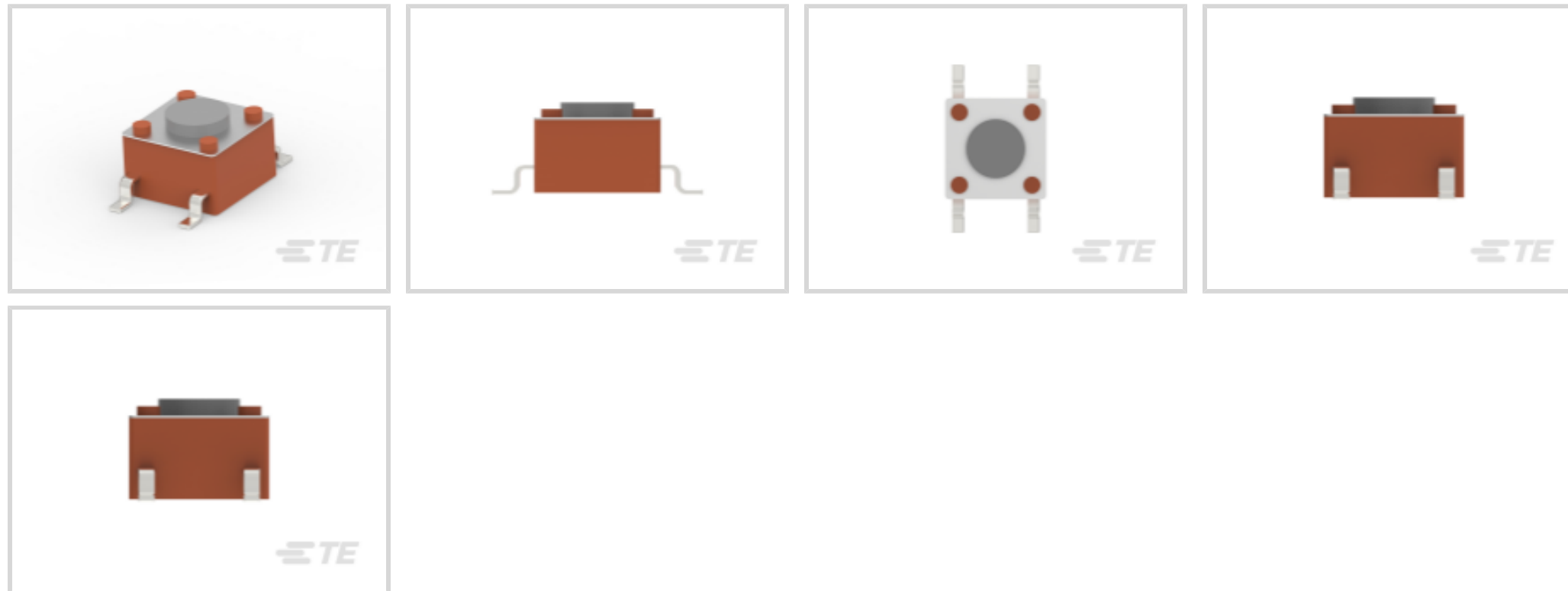




Switches > Tactile Switches



Contact Current Rating: **50 mA**  
 Actuator Style: **Round Actuator**  
 Operating Function: **Off (On)**  
 Contact Base Material: **Copper Alloy**  
 Switch Contact Plating Material: **Silver**

### Features

#### Packaging Features

Packaging Method	Package/Box
------------------	-------------

#### Dimensions

Button Width	3.5 mm[.138 in]
Product Height	4.3 mm[.169 in]
Actuator Length	.7 mm[.028 in]

#### Body Features

Case Material	LCP
Actuator Profile	Extended
Case Color	Black
Actuator Material	PPS
Cover Material	Steel
Actuator Force	160 g[5.64 oz]
Product Orientation	Vertical
Actuator Color	Gray



### Configuration Features

Switch Feedback Type	Tactile
ESD Grounding Terminal	Without
Ganged	With
Operating Function	Off (On)
Support Bracket	Without
Configuration (Pole-Throw)	Single Pole - Single Throw
Number of Actuators	Single

### Product Type Features

Leg Style	Gull Wing
Switch Connection Type	Printed Circuit Board
Illuminated	Without
Actuator Style	Round Actuator

### Contact Features

Contact Current Rating	50 mA
Contact Base Material	Copper Alloy
Switch Contact Plating Material	Silver

### Housing Features

Low Profile	With
Process Sealed	No

### Electrical Characteristics

Operating Voltage	24 VDC
-------------------	--------

### Termination Features

Termination Method to PCB	Surface Mount
---------------------------	---------------

### Usage Conditions

Operating Temperature Range	-40 – 85 °C
-----------------------------	-------------

### Other

EU RoHS Compliance	Compliant
EU ELV Compliance	Compliant

### Product Compliance

[For compliance documentation, visit the product page on TE.com>](#)



EU RoHS Directive 2011/65/EU	Compliant
EU ELV Directive 2000/53/EC	Compliant
China RoHS 2 Directive MIIT Order No 32, 2016	No Restricted Materials Above Threshold
EU REACH Regulation (EC) No. 1907/2006	Current ECHA Candidate List: JUNE 2024 (241) Candidate List Declared Against: JUNE 2024 (241) Does not contain REACH SVHC
Halogen Content	Low Halogen - Br, Cl, F, I < 900 ppm per homogenous material. Also BFR/CFR/PVC Free
Solder Process Capability	Reflow solder capable to 260°C

Product Compliance Disclaimer

This information is provided based on reasonable inquiry of our suppliers and represents our current actual knowledge based on the information they provided. This information is subject to change. The part numbers that TE has identified as EU RoHS compliant have a maximum concentration of 0.1% by weight in homogenous materials for lead, hexavalent chromium, mercury, PBB, PBDE, DBP, BBP, DEHP, DIBP, and 0.01% for cadmium, or qualify for an exemption to these limits as defined in the Annexes of Directive 2011/65/EU (RoHS2). Finished electrical and electronic equipment products will be CE marked as required by Directive 2011/65/EU. Components may not be CE marked. Additionally, the part numbers that TE has identified as EU ELV compliant have a maximum concentration of 0.1% by weight in homogenous materials for lead, hexavalent chromium, and mercury, and 0.01% for cadmium, or qualify for an exemption to these limits as defined in the Annexes of Directive 2000/53/EC (ELV). Regarding the REACH Regulation, the information TE provides on SVHC in articles for this part number is based on the latest European Chemicals Agency (ECHA) 'Guidance on requirements for substances in articles' posted at this URL: <https://echa.europa.eu/guidance-documents/guidance-on-reach>


## Compatible Parts



TE Part # 1571218-5  
TACT,SMT,12X12,SEALED,260GR



TE Part # 2-1825910-9  
FSM14JAAH=6MM TACT SWITCH, HIGH TEMP



TE Part # 1825027-4  
FSMRA2JHL04=R/A,TACT PB SW,100



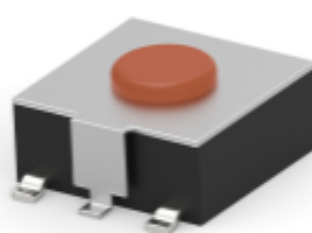
TE Part # 1977223-5  
FSM2JSMAAS=6MM TACT SWITCH, SMT 260gf



TE Part # 1977223-3  
FSM2JSMAS=6MM TACT SWITCH, SMT 160gf



TE Part # 1571563-5  
FSM14JSMAA=TACT SWITCH,SMT



TE Part # 1-1437565-8  
FSM1LPATR=TACT SWITCH 6X6MIL S



TE Part # 147997-1  
FSM4JART=SWITCH,TACTILE, 6MMX6M




TE Part # 1977223-1  
FSM2JSMLS=6MM TACT SWITCH,  
SMT 100gf




TE Part # 2-1825910-2  
FSM12JH=6MM TACT SWITCH, HIGH  
TEMP



TE Part # 2-1437565-2  
FSM2JART=ON T/R




TE Part # 2-1437565-9  
FSM2JSMAATR=TACTILE 260G  
FORCE



TE Part # 2-1977223-8  
FSM14JSMAS=6MM TACT SWITCH,  
SMT 160gf



TE Part # 1825967-1  
FSMCDH=6.0mm Tact W/SQ Act. &  
High Temp



TE Part # 1825027-1  
FSMRA1JHL04=R/A, TACT PB SW, 100




TE Part # 1825086-2  
TACT, SMT, GULL WING, 4X6MM, AG/PL



TE Part # 1825955-6  
FSM3JH=6MM TACT SWITCH, HT W  
/ESD



TE Part # 1571625-2  
TACT, 6X6, SMT, J-LEAD, 50GF, T&R




TE Part # 1571636-8  
TACT, SMT, GULL WING, 160GF, T&R



TE Part # 1571218-3  
TACT, SMT, 12X12, SEALED, T&R

Also in the Series | [Alcoswitch FSMJSMA](#)

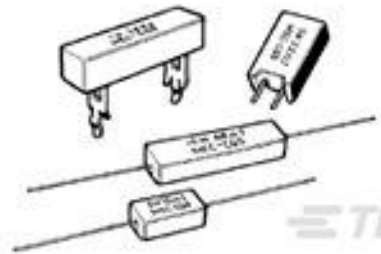


Tactile Switches(22)

Customers Also Bought



TE Part #1-104071-0  
08 SYSTEM 50 HDR SRST SHRD



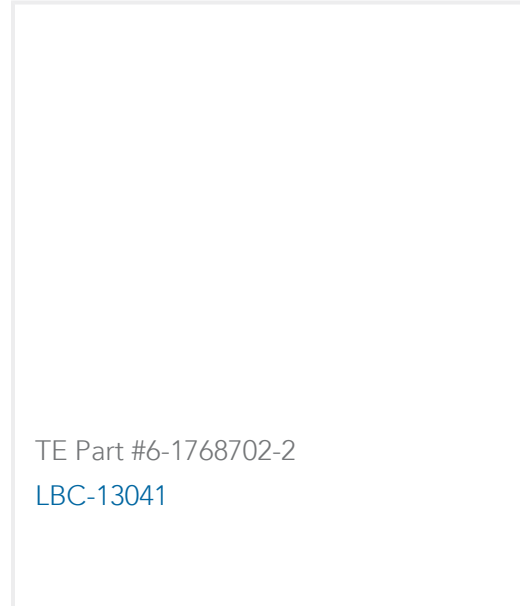
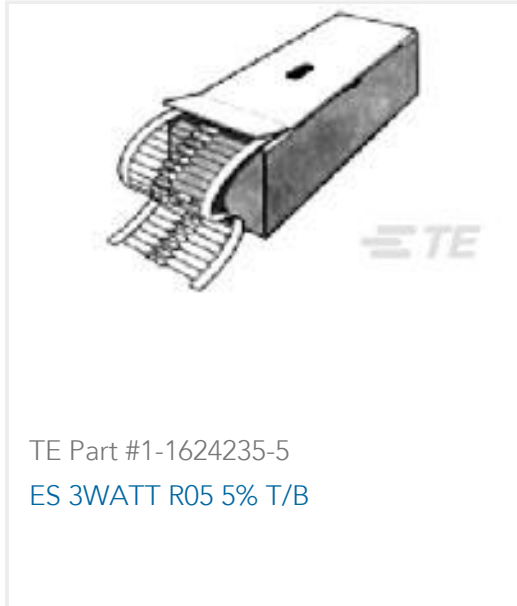
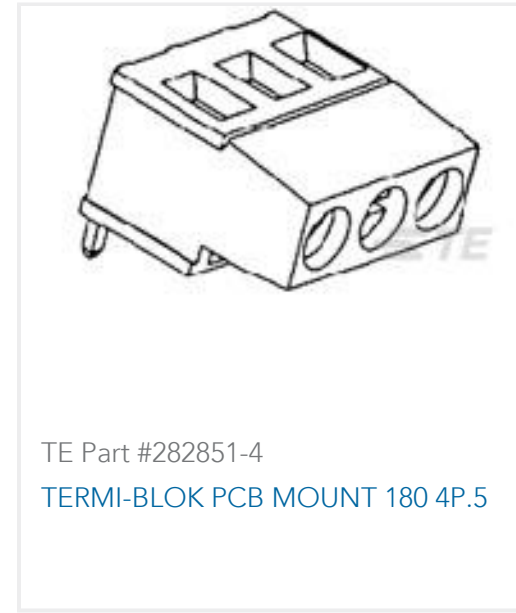
TE Part #1623782-8  
SOM5 2K2 5% (METAL FILM)



TE Part #254416-E  
SMCQ 32 M AB VV 8-23 CL \* H007 137  
E005



TE Part #1-1649326-3  
RT114012



## Documents

### Product Drawings

[FSM2JSMATR=ON T/R](#)

English

### CAD Files

[3D PDF](#)

3D

Customer View Model

[ENG\\_CVM\\_CVM\\_3-1437565-0\\_V1.3d\\_igs.zip](#)

English

Customer View Model

[ENG\\_CVM\\_CVM\\_3-1437565-0\\_V1.2d\\_dxf.zip](#)

English

Customer View Model

[ENG\\_CVM\\_CVM\\_3-1437565-0\\_V1.3d\\_stp.zip](#)

English

By downloading the CAD file I accept and agree to the [Terms and Conditions](#) of use.

### Datasheets & Catalog Pages

[SWITCHES\\_CORE\\_PROGRAM\\_CATALOG](#)

English

[Products for Mobile Equipment](#)

English