

MADISON CABLE

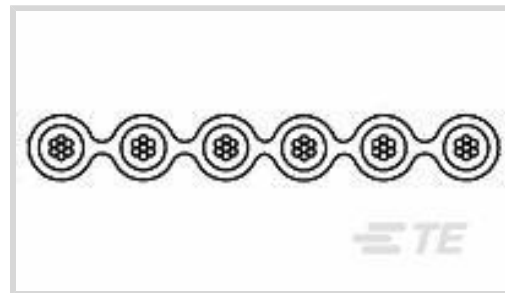
TE Internal #: 3-1437356-0

TE Internal Description: 171-10G100M=10P 28A

[View on TE.com >](#)



Wire & Cable > Ribbon & Flat Cable



Number of Conductors: 10

Shielded: No

Wire & Cable Insulation Material: PVC

Cable Length: 30.48 m [328.1 ft]

Conductor Material: Tinned Copper

Features

Industry Standards

Compatible With Agency/Standards Products	UL
UL Listing	AWM Style 2651

Packaging Features

Packaging Method	Reel
------------------	------

Signal Characteristics

Cross Talk (Near End)	5 %
Cross Talk (Far End)	6.7 %

Electrical Characteristics

Current Rating	2 A
Propagation Delay	4.53 ns/m
Capacitance	46 pF/m[28 pF/ft]
Impedance	100 Ω
Operating Voltage	300 V

Dimensions

Cable Insulation Width	12.7 mm[.5 in]
Cable Insulation Thickness	.91 mm[.036 in]
Cable Length	30.48 m[328.1 ft]
Wire Size	.08 mm ²
Strand Size	36 AWG

Body Features

Jacket Material	PVC
Cable Color	Blue
Wire & Cable Insulation Material	PVC
Conductor Material	Tinned Copper

Configuration Features

Number of Conductors	10
Number of Strands	7

Operation/Application

Shielded	No
----------	----

Housing Features

Centerline (Pitch)	1.27 mm[.05 in]
--------------------	-----------------

Other

EU RoHS Compliance	Compliant
EU ELV Compliance	Compliant

Product Compliance

[For compliance documentation, visit the product page on TE.com>](#)

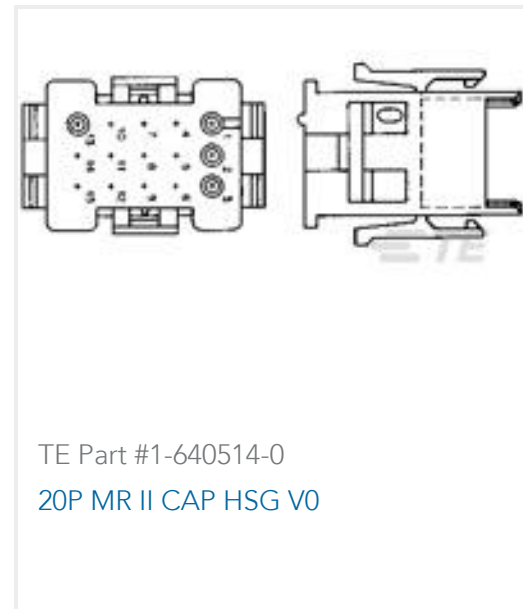
EU RoHS Directive 2011/65/EU	Compliant
EU ELV Directive 2000/53/EC	Compliant
China RoHS 2 Directive MIIT Order No 32, 2016	No Restricted Materials Above Threshold
EU REACH Regulation (EC) No. 1907/2006	Current ECHA Candidate List: JUNE 2024 (241) Candidate List Declared Against: JAN 2022 (223) Does not contain REACH SVHC
Halogen Content	Not Low Halogen - contains Br or Cl > 900 ppm.
Solder Process Capability	Not applicable for solder process capability

Product Compliance Disclaimer

This information is provided based on reasonable inquiry of our suppliers and represents our current actual knowledge based on the information they provided. This information is subject to change. The part numbers that TE has identified as EU RoHS compliant have a maximum concentration of 0.1% by weight in homogenous materials for lead, hexavalent chromium, mercury, PBB, PBDE, DBP, BBP, DEHP, DIBP, and 0.01% for cadmium, or qualify for an exemption to these limits as defined in the Annexes of Directive 2011/65/EU (RoHS2). Finished electrical and electronic equipment products will be CE marked as required by Directive 2011/65/EU. Components may not be CE marked. Additionally, the part numbers that TE has identified as EU ELV compliant have a maximum concentration of 0.1% by weight in homogenous

materials for lead, hexavalent chromium, and mercury, and 0.01% for cadmium, or qualify for an exemption to these limits as defined in the Annexes of Directive 2000/53/EC (ELV). Regarding the REACH Regulation, the information TE provides on SVHC in articles for this part number is based on the latest European Chemicals Agency (ECHA) 'Guidance on requirements for substances in articles' posted at this URL: <https://echa.europa.eu/guidance-documents/guidance-on-reach>

Customers Also Bought



Documents

Product Drawings

171-10G100M=10P 28A

English