

## Agastat

TE Internal #: 3-1423164-0

Time Delay Relay, DC, 2 Form C DPDT-CO, 10 A Contact Rating,  
Chassis Mount, 75 °C [167 °F][View on TE.com >](#)

Relays &amp; Contactors &gt; Electromechanical Relays

Relay & Contactor Type: **Time Delay Relay**Contact Arrangement: **2 Form C DPDT-CO**Current Type: **DC**Contact Current Rating: **10 A**Main Termination & Connection Type: **Screw Terminals**

## Features

### Product Type Features

Relay & Contactor Type	Time Delay Relay
------------------------	------------------

### Configuration Features

Relay Options	Auxiliary Contacts
Contact Arrangement	2 Form C DPDT-CO

### Electrical Characteristics

Input Voltage	125 VDC
Contact Current Rating	10 A

### Termination Features

Main Termination & Connection Type	Screw Terminals
Coil Termination & Connection Type	Screw Terminals

### Mechanical Attachment

Product Mounting Feature Type	Mounting Brackets
Product Mount Type	Chassis Mount

### Dimensions

Product Width	82.55 mm[3.25 in]
Product Length	114.8 mm[4.52 in]
Product Height	78.4 mm[3.09 in]



### Usage Conditions

Operating Temperature Range	-30 – 75 °C
Environmental Ambient Temperature (Max)	75 °C[167 °F]

### Operation/Application

Repeatability (Max)	±10%
Type of Control	Knob
Timing Range (Off-Time)	180 – 1800 seconds
Mode of Operation	Off-Delay
Current Type	DC

### Other

Contact Current Class	>5 – ≤10 A
Height Class (Mechanical)	>70 mm[>2.756 in]
Length Class (Mechanical)	>70 mm[>2.756 in]
Width Class (Mechanical)	>33 mm[>1.299 in]

### Product Compliance

[For compliance documentation, visit the product page on TE.com>](#)

EU RoHS Directive 2011/65/EU	Not Compliant
EU ELV Directive 2000/53/EC	Not Compliant
China RoHS 2 Directive MIIT Order No 32, 2016	有害物质含量超出标准 Restricted Substance(s) Above Threshold
EU REACH Regulation (EC) No. 1907/2006	Current ECHA Candidate List: JUNE 2025 (250) Candidate List Declared Against: JAN 2025 (247) SVHC > Threshold: Cd (.2% in Component Part) Acids from CrO3 and Oligomers (.2% in Component Part) Pb (3.7% in 74019790) <b>Article Safe Usage Statements:</b> Use personal protective equipment as required. Do not eat, drink or smoke when using this product. Wash thoroughly after handling. Recycle if possible and dispose of the article by following all applicable governmental regulations relevant to your geographic location.
Halogen Content	Not Yet Reviewed for halogen content
Solder Process Capability	Not applicable for solder process capability

Product Compliance Disclaimer

This information is provided based on reasonable inquiry of our suppliers and represents our current actual knowledge based on the information they provided. This information is subject to change. The part numbers that TE has identified as EU RoHS compliant have a maximum concentration of 0.1% by weight in homogenous materials for lead, hexavalent chromium, mercury, PBB, PBDE, DBP, BBP, DEHP, DIBP, and 0.01% for cadmium, or qualify for an exemption to these limits as defined in the Annexes of Directive 2011/65/EU (RoHS2). Finished electrical and electronic equipment products will be CE marked as required by Directive 2011/65/EU. Components may not be CE marked. Additionally, the part numbers that TE has identified as EU ELV compliant have a maximum concentration of 0.1% by weight in homogenous materials for lead, hexavalent chromium, and mercury, and 0.01% for cadmium, or qualify for an exemption to these limits as defined in the Annexes of Directive 2000/53/EC (ELV). Regarding the REACH Regulations, TE's information on SVHC in articles for this part number is still based on the European Chemical Agency (ECHA) 'Guidance on requirements for substances in articles' (Version: 2, April 2011), applying the 0.1% weight on weight concentration threshold at the finished product level. TE is aware of the European Court of Justice ruling of September 10th, 2015 also known as O5A (Once An Article Always An Article) stating that, in case of 'complex object', the threshold for a SVHC must be applied to both the product as a whole and simultaneously to each of the articles forming part of its composition. TE has evaluated this ruling based on the new ECHA "Guidance on requirements for substances in articles" (June 2017, version 4.0) and will be updating its statements accordingly.

## Compatible Parts

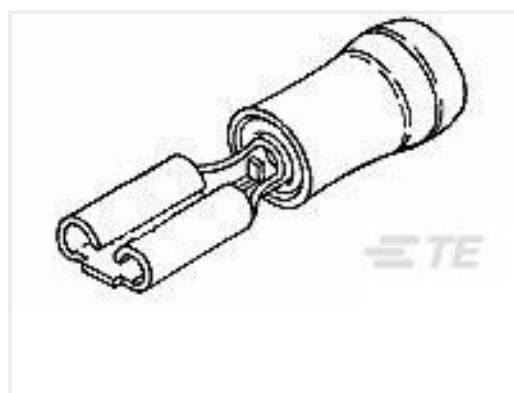


TE Part # 1423162-5  
7022AC=RLY,STD,OFF,2P 120VAC,1

## Customers Also Bought



TE Part #EC0437-000  
06153411



TE Part #165565-6  
TERM,RECPT,PIDG,110 FAST, 22-16,  
PHBR,AU



TE Part #342117-1  
22-16 F.E.P.G. SPADE 4BA STUD



TE Part #6-1755142-4  
7022WDIM=RLY,STD,OFF,2P,96V,50S,I,  
M



TE Part #9-2176397-8  
3502 11K 1%



TE Part #2176398-2  
3502 15K 1%



TE Part #1-2176398-4  
3502 47K 1%



TE Part #342066  
16-14 H.D.R/T 1/2" STUD BLACK



TE Part #7-1472995-0  
7012WDS=RLY,STD,ON,2P,96V,50S,S



TE Part #1755170-1  
7022OCIM=RLY,STD,OFF,2P,24V,15S,I,M

## Documents

### Product Drawings

7022PHT=RLY,STD,OFF,2P,125VDC

English