

K10P-11AT5-120 ✓ ACTIVE

Potter & Brumfield | Potter & Brumfield K10

TE Internal #: 3-1393144-3

General Purpose Power Relay, AC, Monostable, 2 Form C DPDT-CO, 15 A Contact Rating, 120 VAC Coil Voltage, Potter & Brumfield K10

[View on TE.com >](#)



Relays & Contactors > Electromechanical Relays



Relay & Contactor Type: **General Purpose Power Relay**

Coil Magnetic System: **Monostable**

Contact Arrangement: **2 Form C DPDT-CO**

Current Type: **AC**

Contact Current Rating: **15 A**

Features

Product Type Features

Relay & Contactor Type	General Purpose Power Relay
------------------------	-----------------------------

Configuration Features

Contact Number of Poles	2
Coil Special Features	UL Coil Insulation Class B
Contact Arrangement	2 Form C DPDT-CO

Electrical Characteristics

Contact Limiting Short-Time Current	15 A
Contact Limiting Making Current	15 A
Contact Limiting Continuous Current	15 A
Contact Limiting Breaking Current	15 A
Insulation Initial Dielectric Between Open Contacts	1000 Vrms
Insulation Initial Dielectric Between Adjacent Contacts	1500 Vrms
Contact Switching Load (Min)	300mA @ 12V
Coil Resistance	3900 Ω
Coil Power Rating AC	1.35 VA
Insulation Initial Resistance	1000 M Ω
Contact Current Rating	15 A
Coil Voltage Rating	120 VAC



Contact Voltage Rating	120 VAC
------------------------	---------

Insulation Initial Dielectric Between Contacts & Coil	1500 Vrms
---	-----------

Body Features

Product Weight	51 g[1.799 oz]
----------------	----------------

Enclosure Type	Dust Protected
----------------	----------------

Contact Features

Contact Material	Silver Cadmium Oxide
------------------	----------------------

Termination Features

Main Termination & Connection Type	Quick Connect Terminals
------------------------------------	-------------------------

Coil Termination & Connection Type	Quick Connect Terminals
------------------------------------	-------------------------

Mechanical Attachment

Product Mounting Feature Type	Flange with Mounting Slots
-------------------------------	----------------------------

Product Mount Type	Panel & Socket Mount
--------------------	----------------------

Dimensions

Product Width	21.69 mm[.853 in]
---------------	-------------------

Product Length	43.69 mm[1.72 in]
----------------	-------------------

Product Height	42.73 mm[1.68 in]
----------------	-------------------

Usage Conditions

Operating Temperature Range	-45 – 70 °C[-49 – 158 °F]
-----------------------------	---------------------------

Environmental Category of Protection	RTI
--------------------------------------	-----

Environmental Ambient Temperature (Max)	70 °C[158 °F]
---	---------------

Operation/Application

Coil Magnetic System	Monostable
----------------------	------------

Current Type	AC
--------------	----

Packaging Features

Packaging Method	Tray
------------------	------

Other

	>1.1 – ≤1.8 VA
--	----------------

Contact Current Class	>10 – ≤16 A
-----------------------	-------------

Height Class (Mechanical)	>33 – ≤45 mm[>1.299 – ≤1.772 in]
---------------------------	----------------------------------

Length Class (Mechanical)	>33 – ≤45 mm[>1.299 – ≤1.772 in]
---------------------------	----------------------------------



Width Class (Mechanical)	>16 – ≤22 mm[>.63 – ≤.866 in]
--------------------------	-------------------------------

Product Compliance

[For compliance documentation, visit the product page on TE.com>](#)

EU RoHS Directive 2011/65/EU	Compliant with Exemptions
EU ELV Directive 2000/53/EC	Not Compliant
China RoHS 2 Directive MIIT Order No 32, 2016	有害物质含量超出标准 Restricted Substance(s) Above Threshold
EU REACH Regulation (EC) No. 1907/2006	Current ECHA Candidate List: JUNE 2025 (250) Candidate List Declared Against: JUNE 2025 (250) SVHC > Threshold: Cadmium oxide (3.76% in 4800014) Article Safe Usage Statements: Use personal protective equipment as required. Do not eat, drink or smoke when using this product. Recycle if possible and dispose of the article by following all applicable governmental regulations relevant to your geographic location.
Halogen Content	Not Low Halogen - contains Br or Cl > 900 ppm.
Solder Process Capability	Not applicable for solder process capability

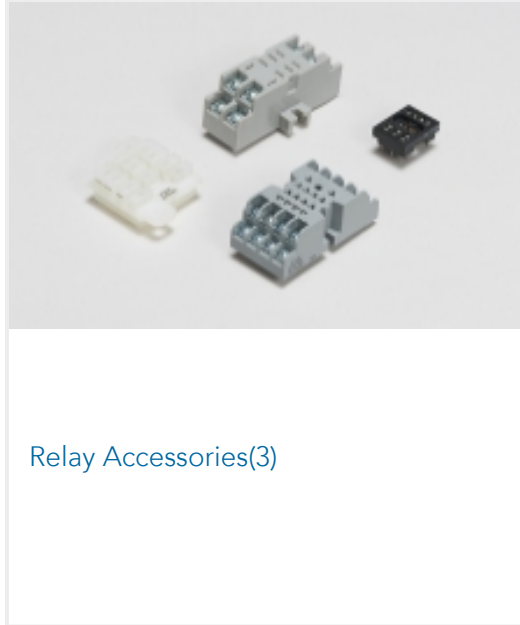
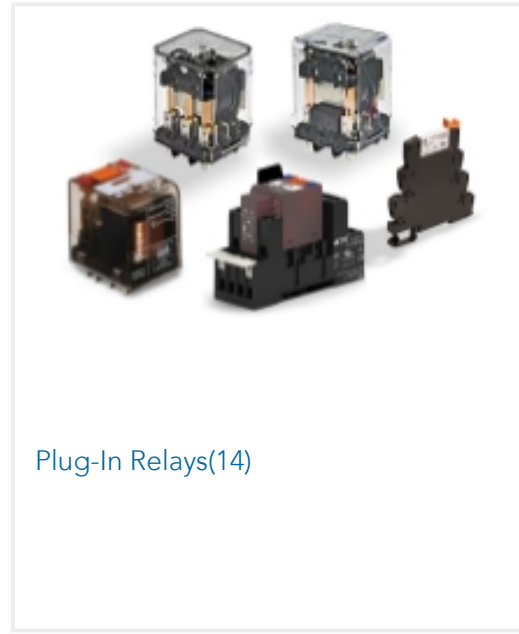
Product Compliance Disclaimer

This information is provided based on reasonable inquiry of our suppliers and represents our current actual knowledge based on the information they provided. This information is subject to change. The part numbers that TE has identified as EU RoHS compliant have a maximum concentration of 0.1% by weight in homogenous materials for lead, hexavalent chromium, mercury, PBB, PBDE, DBP, BBP, DEHP, DIBP, and 0.01% for cadmium, or qualify for an exemption to these limits as defined in the Annexes of Directive 2011/65/EU (RoHS2). Finished electrical and electronic equipment products will be CE marked as required by Directive 2011/65/EU. Components may not be CE marked. Additionally, the part numbers that TE has identified as EU ELV compliant have a maximum concentration of 0.1% by weight in homogenous materials for lead, hexavalent chromium, and mercury, and 0.01% for cadmium, or qualify for an exemption to these limits as defined in the Annexes of Directive 2000/53/EC (ELV). Regarding the REACH Regulation, the information TE provides on SVHC in articles for this part number is based on the latest European Chemicals Agency (ECHA) 'Guidance on requirements for substances in articles' posted at this URL: <https://echa.europa.eu/guidance-documents/guidance-on-reach>

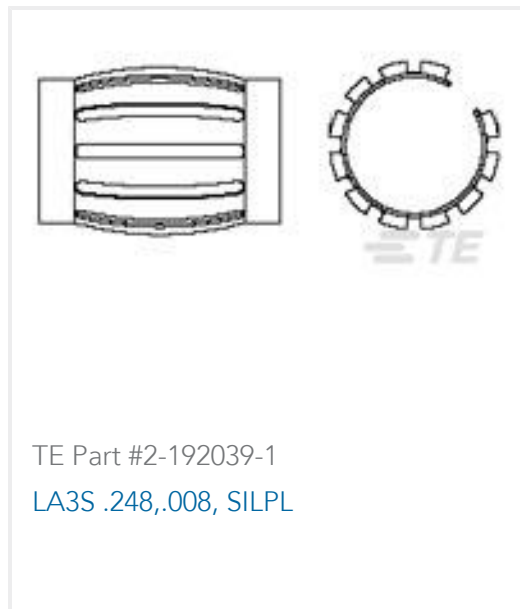
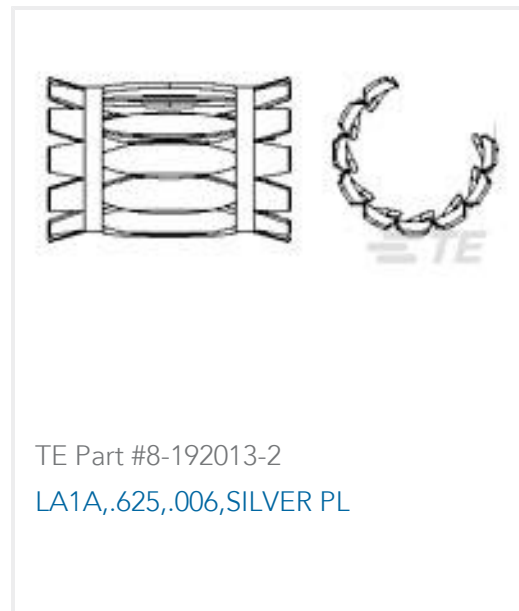
Compatible Parts



Also in the Series | **Potter & Brumfield K10**



Customers Also Bought



Documents



CAD Files

Customer View Model

[ENG_CVM_CVM_3-1393144-3_B.2d_dxf.zip](#)

English

3D PDF

3D

Customer View Model

[ENG_CVM_CVM_3-1393144-3_B.3d_igs.zip](#)

English

Customer View Model

[ENG_CVM_CVM_3-1393144-3_B.3d_stp.zip](#)

English

By downloading the CAD file I accept and agree to the [Terms and Conditions](#) of use.

Datasheets & Catalog Pages

K10 Series Miniature Relay

English

Product Specifications

Definitions General Purpose Relays

English

Agency Approvals

UL

English