

KUP-14D55-24 ✓ ACTIVE

Potter & Brumfield | Potter & Brumfield KUP

TE Internal #: 3-1393118-8

General Purpose Power Relay, DC, Monostable, 3 Form C 3PDT-CO, 10 A Contact Rating, 24 VDC Coil Voltage, Potter & Brumfield KUP

[View on TE.com >](#)



Relays & Contactors > Electromechanical Relays



Relay & Contactor Type: **General Purpose Power Relay**

Current Type: **DC**

Coil Magnetic System: **Monostable**

Contact Arrangement: **3 Form C 3PDT-CO**

Contact Current Rating: **10 A**

Features

Contact Features

Contact Material	Silver Cadmium Oxide
------------------	----------------------

Dimensions

Product Width	38.89 mm[1.53 in]
---------------	-------------------

Product Length	73.7 mm[2.9 in]
----------------	-----------------

Product Height	35.71 mm[1.4 in]
----------------	------------------

Packaging Features

Packaging Method	Package
------------------	---------

Other

Coil Power Rating Class	1 – 1.5 W
-------------------------	-----------

Contact Current Class	16 A
-----------------------	------

Environmental Ambient Temperature Class	50 – 70 °C
---	------------

Height Class (Mechanical)	30 – 40 mm
---------------------------	------------

Length Class (Mechanical)	40 – 50 mm
---------------------------	------------

Width Class (Mechanical)	30 – 40 mm
--------------------------	------------

EU RoHS Compliance	Compliant with Exemptions
--------------------	---------------------------

EU ELV Compliance	Compliant
-------------------	-----------

Usage Conditions

Operating Temperature Range	-45 – 70 °C[-49 – 158 °F]
-----------------------------	---------------------------

Environmental Category of Protection	RTI
--------------------------------------	-----

Environmental Ambient Temperature (Max)	70 °C[158 °F]
---	---------------

Body Features

Product Weight	85 g[2.988 oz]
----------------	----------------

Enclosure Type	Dust Protected
----------------	----------------

Mechanical Attachment

Product Mounting Feature Type	Flange with Mounting Slots
-------------------------------	----------------------------

Product Mount Type	Panel & Socket Mount
--------------------	----------------------

Electrical Characteristics

Contact Limiting Short-Time Current	10 A
-------------------------------------	------

Contact Limiting Making Current	10 A
---------------------------------	------

Contact Limiting Continuous Current	10 A
-------------------------------------	------

Contact Limiting Breaking Current	10 A
-----------------------------------	------

Insulation Initial Dielectric Between Open Contacts	1200 Vrms
---	-----------

Insulation Initial Dielectric Between Adjacent Contacts	2200 Vrms
---	-----------

Contact Switching Load (Min)	300mA @ 12V
------------------------------	-------------

Coil Resistance	472 Ω
-----------------	-------

Insulation Initial Resistance	100 MΩ
-------------------------------	--------

Contact Current Rating	10 A
------------------------	------

Coil Voltage Rating	24 VDC
---------------------	--------

Contact Voltage Rating	240 VAC
------------------------	---------

Coil Power Rating DC	1.25 W
----------------------	--------

Insulation Initial Dielectric Between Contacts & Coil	2200 Vrms
---	-----------

Configuration Features

Contact Number of Poles	3
-------------------------	---

Coil Special Features	UL Coil Insulation Class B
-----------------------	----------------------------

Contact Arrangement	3 Form C 3PDT-CO
---------------------	------------------

Product Type Features

Relay & Contactor Type	General Purpose Power Relay
------------------------	-----------------------------

Operation/Application

Current Type	DC
--------------	----

Coil Magnetic System	Monostable
----------------------	------------



Termination Features

Main Termination & Connection Type	Quick Connect Terminals
Coil Termination & Connection Type	Quick Connect Terminals

Product Compliance

[For compliance documentation, visit the product page on TE.com>](#)

EU RoHS Directive 2011/65/EU	Compliant with Exemptions
EU ELV Directive 2000/53/EC	Compliant
China RoHS 2 Directive MIIT Order No 32, 2016	Restricted Materials Above Threshold
EU REACH Regulation (EC) No. 1907/2006	Current ECHA Candidate List: JUNE 2024 (241) Candidate List Declared Against: JAN 2024 (240) SVHC > Threshold: Cadmium oxide (4.37% in Component Part) Article Safe Usage Statements: Use personal protective equipment as required. Do not eat, drink or smoke when using this product. Recycle if possible and dispose of the article by following all applicable governmental regulations relevant to your geographic location.
Halogen Content	Low Halogen - Br, Cl, F, I < 900 ppm per homogenous material. Also BFR/CFR/PVC Free
Solder Process Capability	Not applicable for solder process capability

Product Compliance Disclaimer

This information is provided based on reasonable inquiry of our suppliers and represents our current actual knowledge based on the information they provided. This information is subject to change. The part numbers that TE has identified as EU RoHS compliant have a maximum concentration of 0.1% by weight in homogenous materials for lead, hexavalent chromium, mercury, PBB, PBDE, DBP, BBP, DEHP, DIBP, and 0.01% for cadmium, or qualify for an exemption to these limits as defined in the Annexes of Directive 2011/65/EU (RoHS2). Finished electrical and electronic equipment products will be CE marked as required by Directive 2011/65/EU. Components may not be CE marked. Additionally, the part numbers that TE has identified as EU ELV compliant have a maximum concentration of 0.1% by weight in homogenous materials for lead, hexavalent chromium, and mercury, and 0.01% for cadmium, or qualify for an exemption to these limits as defined in the Annexes of Directive 2000/53/EC (ELV). Regarding the REACH Regulation, the information TE provides on SVHC in articles for this part number is based on the latest European Chemicals Agency (ECHA) 'Guidance on requirements for substances in articles' posted at this URL: <https://echa.europa.eu/guidance-documents/guidance-on-reach>

Compatible Parts



TE Part # 4-1419081-0
KUP-14DT5-24=RELAY,GENPUR,QC.1

Also in the Series | Potter & Brumfield KUP



AC Relays(31)



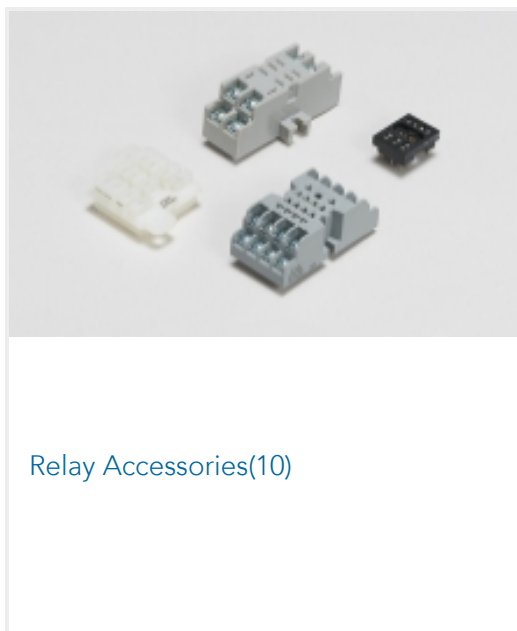
DC Relays(35)



Electromechanical Relays(66)



Plug-In Relays(66)



Relay Accessories(10)

Customers Also Bought



TE Part #1-794613-1
PIN CONT 26-30 15 GOLD L/P



TE Part #4-2176422-8
TLRP 2512 3.0W R004 1% 50PPM 4K RL



TE Part #3-1630186-4
HSA50 R047 5%



TE Part #3-643818-3
03P MTA156 CONN ASSY 20AWG YEL



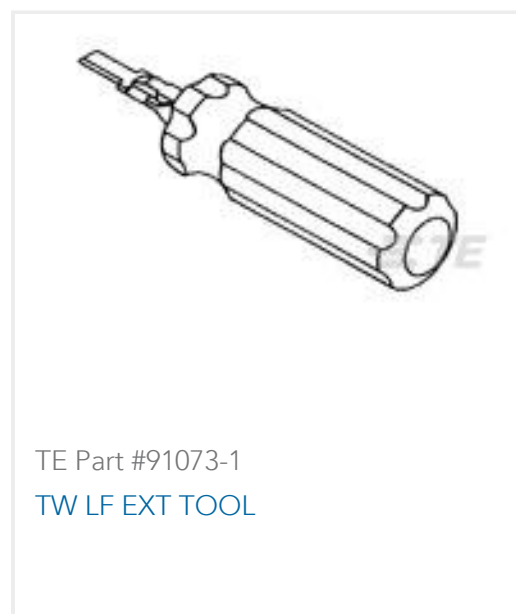
TE Part #1-794615-8
PANEL MT DBL ROW HSG 18 POS



TE Part #ANT-916-CW-RAH
Antenna 1/4 Wave R-Angle 916MHz
RPS



TE Part #2-794616-0
FREE HANG DBL ROW HSG 20 POS



TE Part #91073-1
TW LF EXT TOOL



Documents

CAD Files

Customer View Model

[ENG_CVM_CVM_3-1393118-8_D.2d_dxf.zip](#)

English

3D PDF

3D

Customer View Model

[ENG_CVM_CVM_3-1393118-8_D.3d_igs.zip](#)

English

Customer View Model

[ENG_CVM_CVM_3-1393118-8_D.3d_stp.zip](#)

English

By downloading the CAD file I accept and agree to the [Terms and Conditions](#) of use.

Datasheets & Catalog Pages

KU Sockets & Accessories

English

KUP Series Panel Plug-in Relay

English

Product Specifications

Definitions General Purpose Relays

English

Agency Approvals

UL

English

UL

English