

Product Compliance

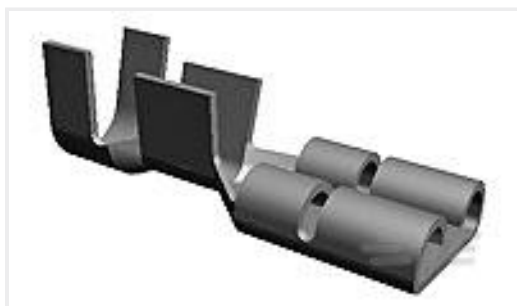
[For compliance documentation, visit the product page on TE.com>](#)

EU RoHS Directive 2011/65/EU	Compliant
EU ELV Directive 2000/53/EC	Compliant
China RoHS 2 Directive MIIT Order No 32, 2016	有害物质含量符合标准要求 No Restricted Substance(s) Above Threshold
EU REACH Regulation (EC) No. 1907/2006	Current ECHA Candidate List: JUNE 2025 (250) Candidate List Declared Against: JAN 2024 (240) Does not contain REACH SVHC
Halogen Content	Not Low Halogen - contains Br or Cl > 900 ppm.
Solder Process Capability	Not applicable for solder process capability

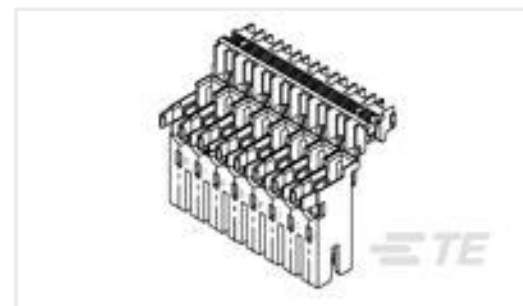
Product Compliance Disclaimer

This information is provided based on reasonable inquiry of our suppliers and represents our current actual knowledge based on the information they provided. This information is subject to change. The part numbers that TE has identified as EU RoHS compliant have a maximum concentration of 0.1% by weight in homogenous materials for lead, hexavalent chromium, mercury, PBB, PBDE, DBP, BBP, DEHP, DIBP, and 0.01% for cadmium, or qualify for an exemption to these limits as defined in the Annexes of Directive 2011/65/EU (RoHS2). Finished electrical and electronic equipment products will be CE marked as required by Directive 2011/65/EU. Components may not be CE marked. Additionally, the part numbers that TE has identified as EU ELV compliant have a maximum concentration of 0.1% by weight in homogenous materials for lead, hexavalent chromium, and mercury, and 0.01% for cadmium, or qualify for an exemption to these limits as defined in the Annexes of Directive 2000/53/EC (ELV). Regarding the REACH Regulation, the information TE provides on SVHC in articles for this part number is based on the latest European Chemicals Agency (ECHA) 'Guidance on requirements for substances in articles' posted at this URL: <https://echa.europa.eu/guidance-documents/guidance-on-reach>

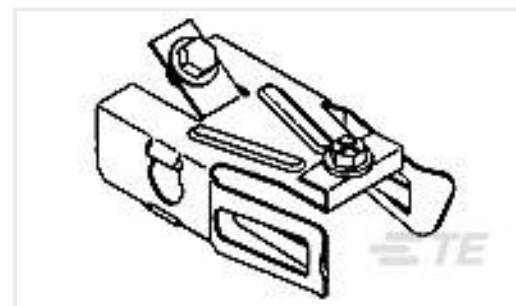
Customers Also Bought



TE Part #63993-1
250 FASTON REC 18-14 AWG TPBR



TE Part #1-282043-2
AMP MONO-SHAPE P.C.B.CONN3P.
GL



TE Part #640751-1
HEAVY DUTY BURNER CLIP ST



TE Part #2-1534415-2
DUOPL POW FEM CON2P



TE Part #1969591-3
HSG,REC,PANEL MOUNT,GWT,
SINGLE ROW,EP2.5



TE Part #2151792-1
OCEAN_2.0_Applicator-S-100F155OV-
RSM



TE Part #7-2151792-7
OCEAN_2.0_SPARE_PART_KIT-
100F155OV



TE Part #7-2266139-7
OCEAN_2.0_SPARE_PART_KIT-
055F070F



TE Part #284930-7
DUOPLUG STD FEMALE CONN., 7
POS, REINFOR



TE Part #2-284931-5
DUOPLUG Standard, female conn.

Documents

CAD Files

3D PDF

3D

Customer View Model

[ENG_CVM_CVM_293153-3_A.2d_dxf.zip](#)

English

Customer View Model

[ENG_CVM_CVM_293153-3_A.3d_igs.zip](#)

English

Customer View Model

[ENG_CVM_CVM_293153-3_A.3d_stp.zip](#)

English

By downloading the CAD file I accept and agree to the [Terms and Conditions](#) of use.

Datasheets & Catalog Pages

[RAST Connector System Catalog](#)

English

Product Specifications



[Application Specification](#)

English

[Agency Approvals](#)

[Agency Approval Document](#)

English