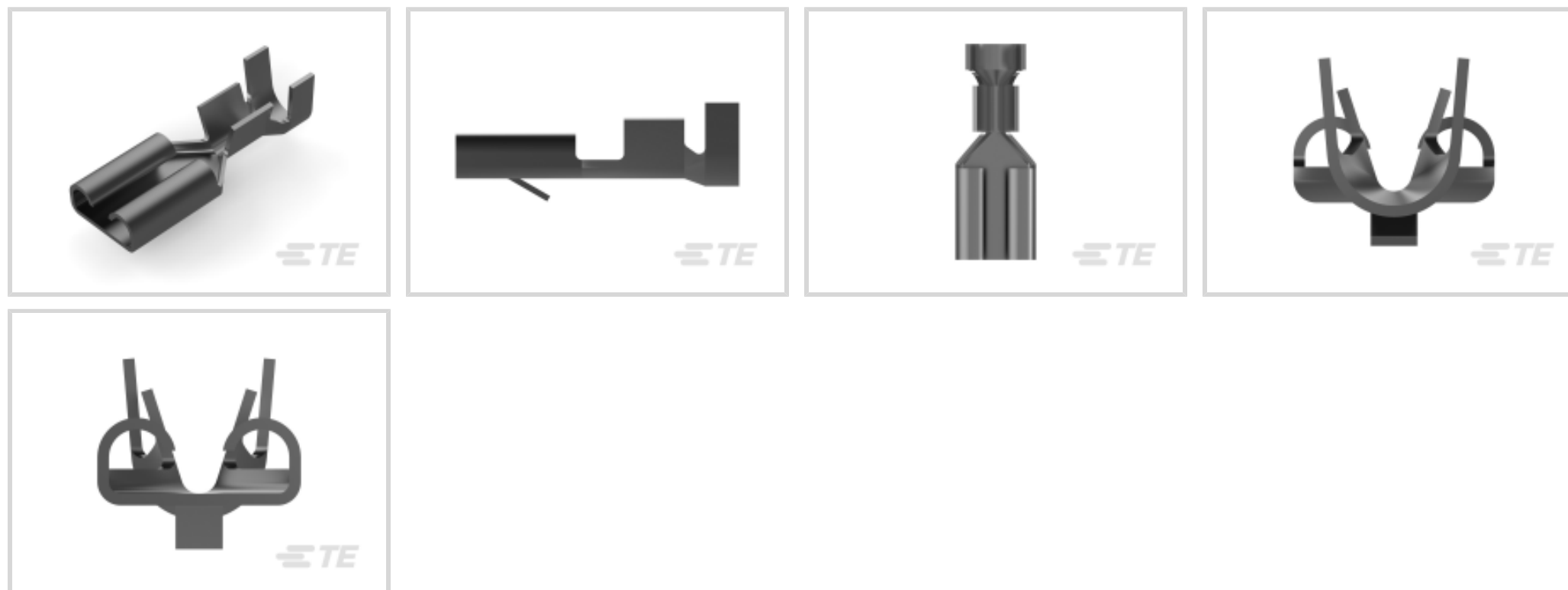




Terminals & Splices > Quick Disconnects



Quick Disconnect Terminal Type: **Receptacle**

Wire Size: .51 – 1.65 mm²

Mating Tab Width: 4.75 mm [.187 in]

Mating Tab Thickness: .81 mm [.032 in]

Features

Product Type Features

Insertion Force	Normal
-----------------	--------

Configuration Features

Compatible With Wire & Cable Type	Discrete Wire
Connection Capacity	Single

Electrical Characteristics

Voltage Rating	250 V
----------------	-------

Contact Features

Quick Disconnect Terminal Type	Receptacle
Mating Tab Width	4.75 mm [.187 in]
Mating Tab Thickness	.81 mm [.032 in]
Terminal Orientation	Straight
Contact Base Material	Brass
Terminal Plating Material	Pre-Tin
Crimp Type	F-Crimp



Barrel Type	Open
-------------	------

Termination Features

Product Terminates To	Wire & Cable
-----------------------	--------------

Mechanical Attachment

Locking Lance Height	1.2 mm
----------------------	--------

Wire Insulation Support	With
-------------------------	------

Mating Retention Type	Locking Lance
-----------------------	---------------

Extraction Force	4 Newton
------------------	----------

Dimensions

Product Length	16 mm [.629 in]
----------------	-----------------

Compatible Insulation Diameter Range	2.31 – 3.3 mm [.091 – .129 in]
--------------------------------------	--------------------------------

Terminal Material Thickness	.25 mm [.01 in]
-----------------------------	-----------------

Wire Size	.51 – 1.65 mm ²
-----------	----------------------------

Usage Conditions

Insulation Option	Uninsulated
-------------------	-------------

Operating Temperature Range	-40 – 110 °C [-40 – 230 °F]
-----------------------------	-----------------------------

Packaging Features

Packaging Quantity	8000
--------------------	------

Packaging Method	Strip/Reel
------------------	------------

Product Compliance

[For compliance documentation, visit the product page on TE.com>](#)

EU RoHS Directive 2011/65/EU	Compliant
------------------------------	-----------

EU ELV Directive 2000/53/EC	Compliant
-----------------------------	-----------

China RoHS 2 Directive MIIT Order No 32, 2016	有害物质含量符合标准要求 No Restricted Substance(s) Above Threshold
---	---

EU REACH Regulation (EC) No. 1907/2006	Current ECHA Candidate List: JUNE 2025 (250) Candidate List Declared Against: JUNE 2025 (250) Does not contain REACH SVHC
--	---

Halogen Content	Low Halogen - Br, Cl, F < 900 ppm per homogenous material. Also BFR/CFR/PVC Free
-----------------	--

Solder Process Capability	Not applicable for solder process capability
---------------------------	--

Product Compliance Disclaimer

This information is provided based on reasonable inquiry of our suppliers and represents our current actual knowledge based on the information they provided. This information is subject to change. The part numbers that TE has identified as EU RoHS compliant have a maximum concentration of 0.1% by weight in homogenous materials for lead, hexavalent chromium, mercury, PBB, PBDE, DBP, BBP, DEHP, DIBP, and 0.01% for cadmium, or qualify for an exemption to these limits as defined in the Annexes of Directive 2011/65/EU (RoHS2). Finished electrical and electronic equipment products will be CE marked as required by Directive 2011/65/EU. Components may not be CE marked. Additionally, the part numbers that TE has identified as EU ELV compliant have a maximum concentration of 0.1% by weight in homogenous materials for lead, hexavalent chromium, and mercury, and 0.01% for cadmium, or qualify for an exemption to these limits as defined in the Annexes of Directive 2000/53/EC (ELV). Regarding the REACH Regulation, the information TE provides on SVHC in articles for this part number is based on the latest European Chemicals Agency (ECHA) 'Guidance on requirements for substances in articles' posted at this URL: <https://echa.europa.eu/guidance-documents/guidance-on-reach>

Compatible Parts



TE Part # 281197-5
FF 187 REC 1.0-2.5MM2 PTBR (RE REELING)



TE Part # 175040-1
FF 187 REC 0.5-1.25MM2 PTBR



TE Part # 281197-6
FF 187 REC 1.0-2.5MM2 PTBR



TE Part # 2150309-1
OCEAN_2.0_APPLICATOR-E-090F130F-REM



TE Part # 2150309-2
OCEAN_2.0_APPLICATOR-E-090F130F-REA

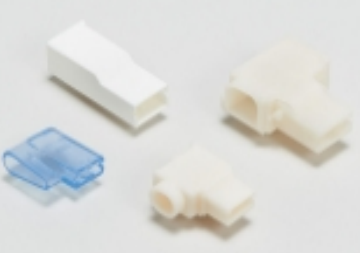


KIT
REPRESENTATION ONLY
TE Part # 7-2150309-7
OCEAN_2.0_SPARE_PART_KIT-090F130F




TE Part # 175042-1
FF 187 REC 2-3MM2 PTBR


Also in the Series | FASTIN-FASTON 187



Crimp Terminal Housings(5)

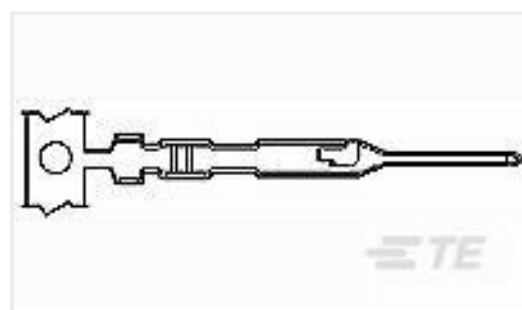


Insertion & Extraction Tools(1)



Quick Disconnects(20)

Customers Also Bought



TE Part #5-104505-2
MTE PIN 22-26 AWG PLTD



TE Part #350218-6
UMNL PIN 20-14 .0125AUPHBZ



TE Part #1986711-2
SCREWLESS, SW,2P,5.0 PCB



TE Part #2213772-9
AV22 SPM 3A MOVE RING LED
YELLOW 12V



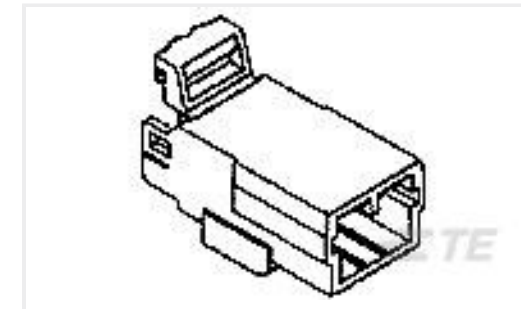
TE Part #3-2317570-6
AV22 SPL 3A MOVING RING R&G 12V
FL



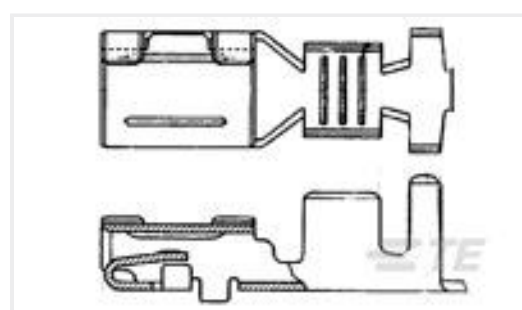
TE Part #142755-1
MIC IV COSI CONTACT



TE Part #1-144545-0
2 POS HSG SEALING MK IV



TE Part #174929-1
070 MLC W-W CAP HSG 4P NATURAL



TE Part #175040-1
FF 187 REC 0.5-1.25MM2 TPBR



TE Part #3-1393310-8
VCFM-1002=SOCKET,VCFM,5,PC,PLA-

Documents

Product Drawings

[FF 187 REC 0.5-1.5MM2 TPBR](#)

English

CAD Files

[3D PDF](#)

3D

Customer View Model

[ENG_CVM_CVM_280919-2_M.2d_dxf.zip](#)

English

Customer View Model

[ENG_CVM_CVM_280919-2_M.3d_igs.zip](#)

English

Customer View Model

[ENG_CVM_CVM_280919-2_M.3d_stp.zip](#)

English

By downloading the CAD file I accept and agree to the [Terms and Conditions](#) of use.

Datasheets & Catalog Pages



FASTIN_FASTON_Product_Line

English

Product Specifications

Application Specification

FASTIN-FASTON Connector, .187 rec. etc.