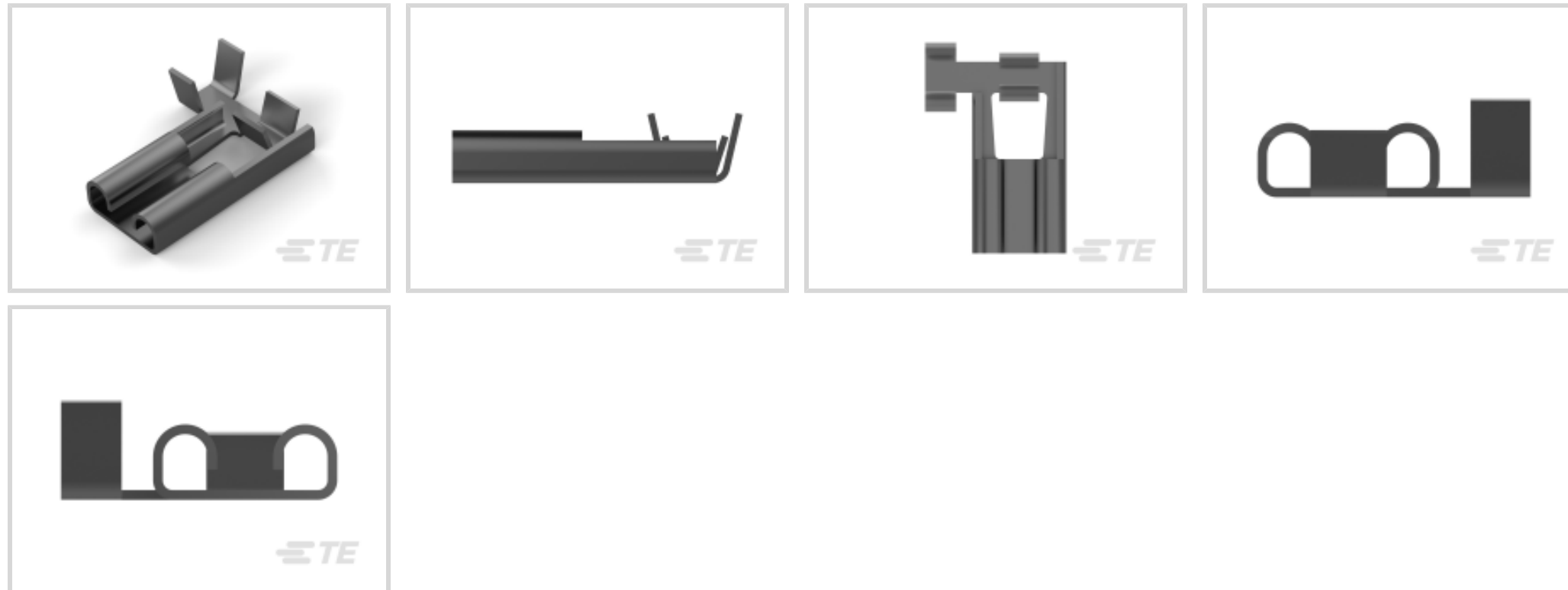




Terminals & Splices > Quick Disconnects



Quick Disconnect Terminal Type: **Receptacle**

Wire Size: .5 – 1.5 mm<sup>2</sup>

Mating Tab Width: 6.35 mm [.25 in]

Mating Tab Thickness: .81 mm [.032 in]

## Features

### Industry Standards

Compatible With Agency/Standards Products	UL
UL Flammability Rating	UL 94V-2

### Termination Features

Product Terminates To	Wire & Cable
-----------------------	--------------

### Configuration Features

Compatible With Wire & Cable Type	Discrete Wire
Connection Capacity	Single

### Electrical Characteristics

Voltage Rating	250 V
----------------	-------

### Mechanical Attachment

Wire Insulation Support	With
Mating Retention Type	Dimple

### Other

Line	Premier
------	---------



EU RoHS Compliance	Compliant
--------------------	-----------

EU ELV Compliance	Compliant
-------------------	-----------

### Packaging Features

Packaging Quantity	4000
--------------------	------

Packaging Method	Strip/Reel
------------------	------------

### Dimensions

Product Length	16.8 mm[.661 in]
----------------	------------------

Compatible Insulation Diameter Range	2.36 – 3.3 mm[.093 – .13 in]
--------------------------------------	------------------------------

Terminal Material Thickness	.41 mm[.016 in]
-----------------------------	-----------------

Wire Size	.5 – 1.5 mm <sup>2</sup>
-----------	--------------------------

### Product Type Features

Insertion Force	Normal
-----------------	--------

### Contact Features

Quick Disconnect Terminal Type	Receptacle
--------------------------------	------------

Mating Tab Width	6.35 mm[.25 in]
------------------	-----------------

Mating Tab Thickness	.81 mm[.032 in]
----------------------	-----------------

Terminal Orientation	Flag
----------------------	------

Contact Base Material	Brass
-----------------------	-------

Terminal Plating Material	Tin
---------------------------	-----

Crimp Type	F-Crimp
------------	---------

Barrel Type	Open
-------------	------

### Usage Conditions

Insulation Option	Uninsulated
-------------------	-------------

Operating Temperature Range	-40 – 110 °C[-40 – 230 °F]
-----------------------------	----------------------------

### Product Compliance

[For compliance documentation, visit the product page on TE.com>](#)

EU RoHS Directive 2011/65/EU	Compliant
------------------------------	-----------

EU ELV Directive 2000/53/EC	Compliant
-----------------------------	-----------

China RoHS 2 Directive MIIT Order No 32, 2016	No Restricted Materials Above Threshold
---	---

EU REACH Regulation (EC) No. 1907/2006	Current ECHA Candidate List: JUNE 2024 (241)
--	--



Candidate List Declared Against: JUNE 2024 (241)  
Does not contain REACH SVHC

Halogen Content	Low Halogen - Br, Cl, F, I < 900 ppm per homogenous material. Also BFR/CFR/PVC Free
Solder Process Capability	Not applicable for solder process capability

Product Compliance Disclaimer

This information is provided based on reasonable inquiry of our suppliers and represents our current actual knowledge based on the information they provided. This information is subject to change. The part numbers that TE has identified as EU RoHS compliant have a maximum concentration of 0.1% by weight in homogenous materials for lead, hexavalent chromium, mercury, PBB, PBDE, DBP, BBP, DEHP, DIBP, and 0.01% for cadmium, or qualify for an exemption to these limits as defined in the Annexes of Directive 2011/65/EU (RoHS2). Finished electrical and electronic equipment products will be CE marked as required by Directive 2011/65/EU. Components may not be CE marked. Additionally, the part numbers that TE has identified as EU ELV compliant have a maximum concentration of 0.1% by weight in homogenous materials for lead, hexavalent chromium, and mercury, and 0.01% for cadmium, or qualify for an exemption to these limits as defined in the Annexes of Directive 2000/53/EC (ELV). Regarding the REACH Regulation, the information TE provides on SVHC in articles for this part number is based on the latest European Chemicals Agency (ECHA) 'Guidance on requirements for substances in articles' posted at this URL: <https://echa.europa.eu/guidance-documents/guidance-on-reach>

## Compatible Parts

TE Part # 180388-2  
250 FASTON,REC.,20-16 AWG,TPBR

TE Part # 190735-7  
250 FASTON,FLAG,REC.,20-16 AWG,PTBR

TE Part # 2836223-2  
OCEAN\_2.0\_Applicator-S-100F140F-SSA

TE Part # 2376595-2  
250 FASTON PCB TAB TPBR

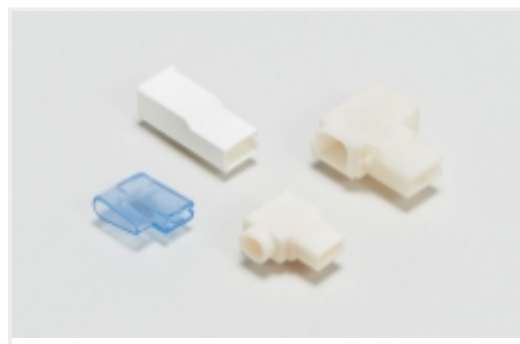
**KIT**  
REPRESENTATION ONLY

TE Part # 7-2836223-7  
OCEAN\_2.0\_SPARE\_PART\_KIT-100F140F

Also in the Series | **FASTON 250**



Compression Connectors(4)



Crimp Terminal Housings(118)



Insulation Boots & Sleeves(16)



Magnet Wire Terminals(1)



PCB Terminals(133)



Quick Disconnects(425)



Splices(4)

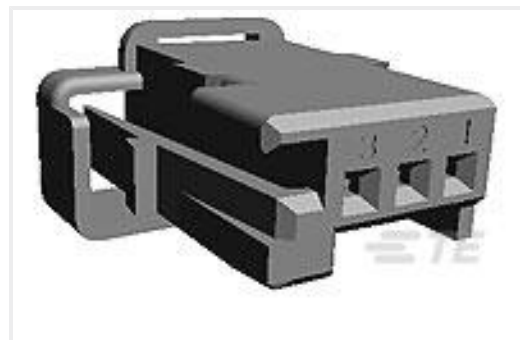
### Customers Also Bought



TE Part #1-1801175-1  
2W RECEPTACLE HP CONNECTOR  
BLACK



TE Part #2-2176349-8  
CRGCO 2512 1K8 1%



TE Part #953697-2  
3POS MQS REC



TE Part #HD10-3-96P  
REC, 3P, GRY, N, THRD, FLANGE, 16



TE Part #4-2176231-9  
3522 1K0 1% 3W



TE Part #6-2176070-5  
3521 4K7 1% 2W



TE Part #7-2176316-9  
MELF SMA-A 15R 1% 50PPM 0207 1W



TE Part #7-2176412-6  
5W XSM M/OX 5% 6K8



TE Part #1461492-2  
OJT-SS-105LM,000



TE Part #827040-1  
WITH SPRING

### Documents



### Product Drawings

[250 FASTON,FLAG,REC.,16-20 AWG,TPPB](#)

English

---

### CAD Files

[3D PDF](#)

3D

Customer View Model

[ENG\\_CVM\\_CVM\\_280050-7\\_BC.2d\\_dxf.zip](#)

English

Customer View Model

[ENG\\_CVM\\_CVM\\_280050-7\\_BC.3d\\_igs.zip](#)

English

Customer View Model

[ENG\\_CVM\\_CVM\\_280050-7\\_BC.3d\\_stp.zip](#)

English

By downloading the CAD file I accept and agree to the [Terms and Conditions](#) of use.

---

### Product Specifications

[FASTON & FASTIN-FASTON conn. .250 srs. flag rec. etc.](#)

[Application Specification](#)

---

### Agency Approvals

[UL Report](#)

English