



AMPLIVAR

TE Internal #: 280002-2

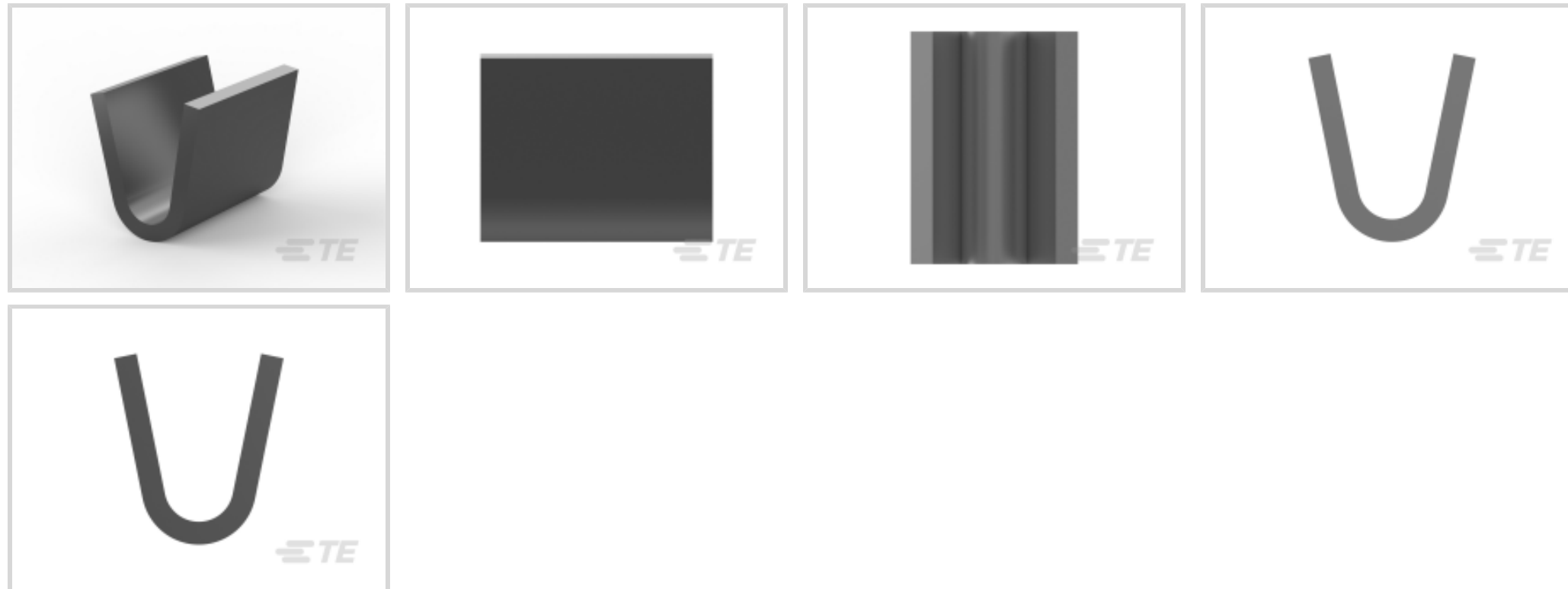
Pigtail Splice, 18.5 – 13.5 AWG, .8 – 2.5 mm² Wire, 1500 – 5000

CMA, Uninsulated, 3 Splice Capacity, Serrated, Brass, 7 Serration,

AMPLIVAR

[View on TE.com >](#)

Terminals & Splices > Splices



Splice Type: **Pigtail Splice**

Wire Size: **.8 – 2.5 mm²**

Sealable: **No**

Splice Capacity: **3**

Features

Product Type Features

Splice Type	Pigtail Splice
Sealable	No
Compatible With Discrete Wire Type	Magnet Wire, Solid

Configuration Features

Strip Orientation	End Feed
Splice Capacity	3
Number of Serrations	7

Electrical Characteristics

Operating Voltage	250 V
-------------------	-------

Body Features

Product Weight	.272 g
Splice Features	Serrated

Contact Features

Terminal Plating Material	Tin
---------------------------	-----



Contact Base Material	Brass
-----------------------	-------

Barrel Type	Open
-------------	------

Mechanical Attachment

Wire Insulation Support	Without
-------------------------	---------

Dimensions

Wire Size	1500 – 5000 CMA
-----------	-----------------

Barrel Inside Diameter	1.66 mm[.065 in]
------------------------	------------------

Terminal Material Thickness	.5 mm[.02 in]
-----------------------------	---------------

Product Length	5.72 mm[.225 in]
----------------	------------------

Usage Conditions

Insulation Option	Uninsulated
-------------------	-------------

Operating Temperature Range	-65 – 150 °C[-85 – 302 °F]
-----------------------------	----------------------------

Operation/Application

Compatible With Wire Base Material	Aluminum, Copper
------------------------------------	------------------

Industry Standards

Government Qualified Splice	No
-----------------------------	----

Packaging Features

Packaging Quantity	30000
--------------------	-------

Packaging Method	Strip
------------------	-------

Product Compliance

[For compliance documentation, visit the product page on TE.com>](#)

EU RoHS Directive 2011/65/EU	Compliant
------------------------------	-----------

EU ELV Directive 2000/53/EC	Compliant
-----------------------------	-----------

China RoHS 2 Directive MIIT Order No 32, 2016	有害物质含量符合标准要求 No Restricted Substance(s) Above Threshold
---	---

EU REACH Regulation (EC) No. 1907/2006	Current ECHA Candidate List: JUNE 2025 (250) Candidate List Declared Against: JUNE 2025 (250) Does not contain REACH SVHC
--	---

Halogen Content	Low Halogen - Br, Cl, F < 900 ppm per homogenous material. Also BFR/CFR/PVC Free
-----------------	--

Solder Process Capability	Not applicable for solder process capability
---------------------------	--

Product Compliance Disclaimer

This information is provided based on reasonable inquiry of our suppliers and represents our current actual knowledge based on the information they provided. This information is subject to change. The part numbers that TE has identified as EU RoHS compliant have a maximum concentration of 0.1% by weight in homogenous materials for lead, hexavalent chromium, mercury, PBB, PBDE, DBP, BBP, DEHP, DIBP, and 0.01% for cadmium, or qualify for an exemption to these limits as defined in the Annexes of Directive 2011/65/EU (RoHS2). Finished electrical and electronic equipment products will be CE marked as required by Directive 2011/65/EU. Components may not be CE marked. Additionally, the part numbers that TE has identified as EU ELV compliant have a maximum concentration of 0.1% by weight in homogenous materials for lead, hexavalent chromium, and mercury, and 0.01% for cadmium, or qualify for an exemption to these limits as defined in the Annexes of Directive 2000/53/EC (ELV). Regarding the REACH Regulation, the information TE provides on SVHC in articles for this part number is based on the latest European Chemicals Agency (ECHA) 'Guidance on requirements for substances in articles' posted at this URL: <https://echa.europa.eu/guidance-documents/guidance-on-reach>

Compatible Parts



TE Part # 1742324-2
AMVAR STAKE SPLICE 020TPBR



TE Part # 2150009-2
OCEAN_2.0_Applicator-E-110F-SEA



TE Part # 1-141175-2
AMPLIVAR SPL 5 SERR



TE Part # 1-141175-3
SPICE AMPLIVAR



KIT
REPRESENTATION ONLY

TE Part # 7-2150009-7
OCEAN_2.0_SPARE_PART_KIT-110F

Also in the Series | AMPLIVAR




Crimp Wire Pins, Tabs & Ferrules(4)



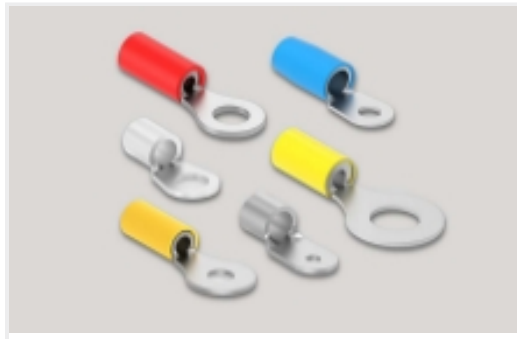
Magnet Wire Terminals(4)



PCB Terminals(1)



Quick Disconnects(39)



Ring Terminals(28)



Splices(69)

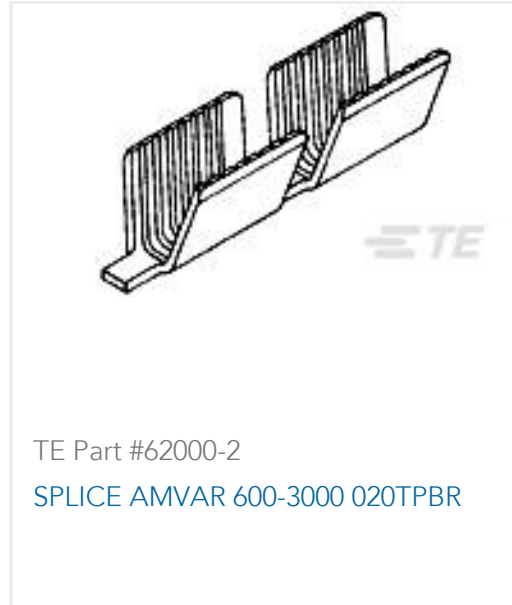
Customers Also Bought



TE Part #1SNG626158R0000
EP-SGL-PG135-GR-B



TE Part #5983226001
DSPL-NR2-0-50MM



TE Part #62000-2
SPLICE AMVAR 600-3000 020TPBR



TE Part #350687-1
UMNL SPLIT PIN PTPBR



TE Part #485043-2
SPLICE 4000-9000 .020 TPBR



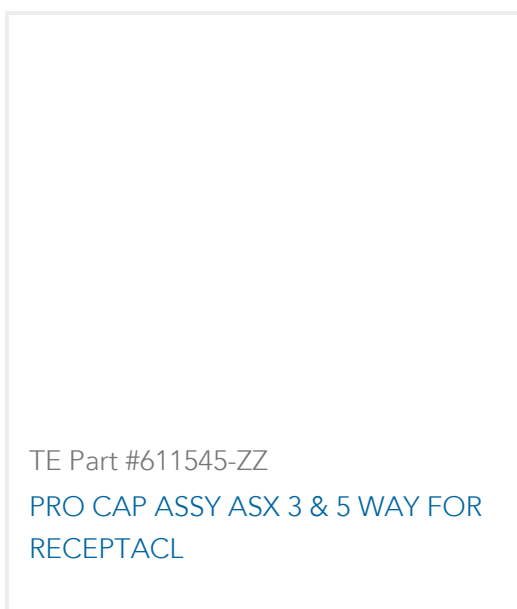
TE Part #737060-2
AMPLIVAR SPL 5 SERR W/INS SUP



TE Part #1487588-1
USB, A-B, 28/24, WHITE, 2.0M



TE Part #1718973-1
JUMPSTART TERMINAL ASSY



TE Part #611545-ZZ
PRO CAP ASSY ASX 3 & 5 WAY FOR RECEPTACL



TE Part #2176110-1
3W SM M/OX 5% 12K STEEL LEADS

Documents

Product Drawings

[AMPLIV 1500 5000](#)

English

CAD Files

[3D PDF](#)

[3D](#)

Customer View Model

[ENG_CVM_CVM_280002-2_U.2d_dxf.zip](#)



English

Customer View Model

[ENG_CVM_CVM_280002-2_U.3d_igs.zip](#)

English

Customer View Model

[ENG_CVM_CVM_280002-2_U.3d_stp.zip](#)

English

By downloading the CAD file I accept and agree to the [Terms and Conditions](#) of use.

Datasheets & Catalog Pages

[1654742_HOUSEHOLD_APPLIANCES_RAST5](#)

English

Magnet Wire Terminals & Splices

English

Product Specifications

Application Specification

English

AMPLIVAR 7 Serration Pigtail Splice

English