



Wire Protection & Management > Adhesives & Sealants > Sealant Tape

EU RoHS Compliance: **Compliant**EU ELV Compliance: **Compliant**

Features

Body Features

Primary Product Color	Black
-----------------------	-------

Dimensions

Product Length	3.05 m[10 ft]
----------------	---------------

Product Thickness	3.18 mm[.125 in]
-------------------	------------------

Product Width	95.25 mm[3.75 in]
---------------	-------------------

Usage Conditions

Operating Temperature Range	-29 – 66 °C[-20 – 150 °F]
-----------------------------	---------------------------

Packaging Features

Packaging Method	Roll
------------------	------

Packaging Quantity	1
--------------------	---

Other

EU RoHS Compliance	Compliant
--------------------	-----------

EU ELV Compliance	Compliant
-------------------	-----------

Product Compliance

[For compliance documentation, visit the product page on TE.com>](#)

EU RoHS Directive 2011/65/EU	Compliant
------------------------------	-----------

EU ELV Directive 2000/53/EC	Compliant
-----------------------------	-----------

China RoHS 2 Directive MIIT Order No 32, 2016	No Restricted Materials Above Threshold
---	---

EU REACH Regulation (EC) No. 1907/2006	Current ECHA Candidate List: JUNE 2024 (241) Candidate List Declared Against: JUNE 2024 (241)
--	--

Does not contain REACH SVHC

Halogen Content

Low Halogen - Br, Cl, F, I < 900 ppm per homogenous material. Also BFR/CFR/PVC Free

Solder Process Capability

Not applicable for solder process capability

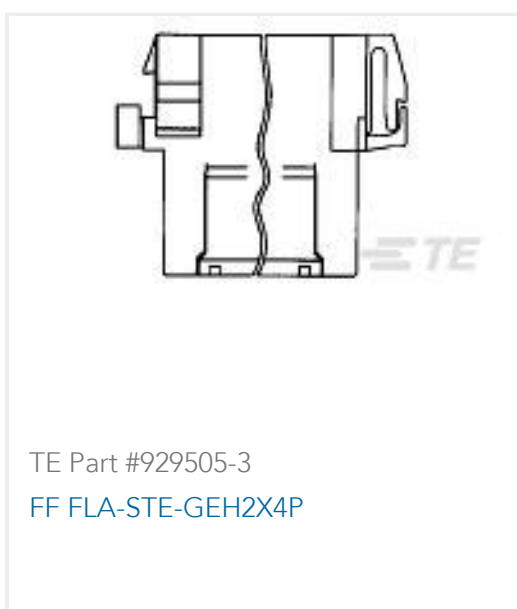
Product Compliance Disclaimer

This information is provided based on reasonable inquiry of our suppliers and represents our current actual knowledge based on the information they provided. This information is subject to change. The part numbers that TE has identified as EU RoHS compliant have a maximum concentration of 0.1% by weight in homogenous materials for lead, hexavalent chromium, mercury, PBB, PBDE, DBP, BBP, DEHP, DIBP, and 0.01% for cadmium, or qualify for an exemption to these limits as defined in the Annexes of Directive 2011/65/EU (RoHS2). Finished electrical and electronic equipment products will be CE marked as required by Directive 2011/65/EU. Components may not be CE marked. Additionally, the part numbers that TE has identified as EU ELV compliant have a maximum concentration of 0.1% by weight in homogenous materials for lead, hexavalent chromium, and mercury, and 0.01% for cadmium, or qualify for an exemption to these limits as defined in the Annexes of Directive 2000/53/EC (ELV). Regarding the REACH Regulation, the information TE provides on SVHC in articles for this part number is based on the latest European Chemicals Agency (ECHA) 'Guidance on requirements for substances in articles' posted at this URL: <https://echa.europa.eu/guidance-documents/guidance-on-reach>

Compatible Parts

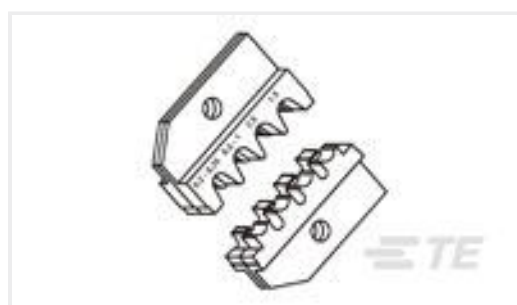


Customers Also Bought





TE Part #160298
PIDG RING 12-10 5/16



TE Part #539691-2
ERGO DIE R.B.Y



TE Part #6-1579014-5
HT FOR CABLE-END SLEEVES FRONT
0,08-16



TE Part #710028-1
XCT 70-8



TE Part #3-1579007-7
EXTRACTION TOOL



TE Part #6-1579007-1
EXTRACTION TOOL

Documents

Product Drawings

SEALING & DIELECTRIC COMPOUND

English