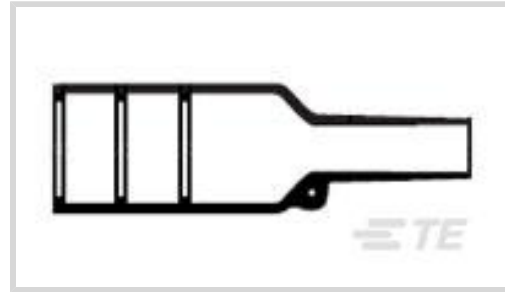




Wire Protection & Management > Heat Shrink Shapes > Heat Shrink Boots > Bulbous Heat Shrink Boots: Lipped, Straight



Body Orientation: **Straight**

Molded Part Shape Code: **202**

Lipped: **Yes**

Material Code: **3**

Material Systems Code: **10**

[All Bulbous Heat Shrink Boots: Lipped, Straight \(360\)](#)

## Features

### Industry Standards

Compatible With Approved Standards Products

SAE AS I 81765/1, Type I, DEF Std 59-97 Issue 3 Type DA, BS-G-198-5-DA

### Dimensions

Compatible Cable Diameter (Max)

30 mm, 18 mm, 26 mm, 28 mm, 24 mm, 22 mm, 20 mm [1.18 in][.71 in][1.02 in][1.1 in][.94 in][.78 in][.86 in]

Compatible Cable Diameter Range

15.7 – 35 mm [.618 – 1.378 in]

### Body Features

Primary Product Material

Semi-Rigid Modified Polyolefin

Material Code

3

Material Systems Code

10

### Configuration Features

Lipped

Yes

Adhesive Requirement

Adhesive Precoat

### Housing Features

Body Orientation

Straight

### Usage Conditions



Operating Temperature Range	-55 – 135 °C[-67 – 275 °F]
Resistance Protection	Occasional Fluid Exposure

### Other

Molded Part Shape Code	202
Adhesive Code	86
EU RoHS Compliance	Compliant
EU ELV Compliance	Compliant

### Product Compliance

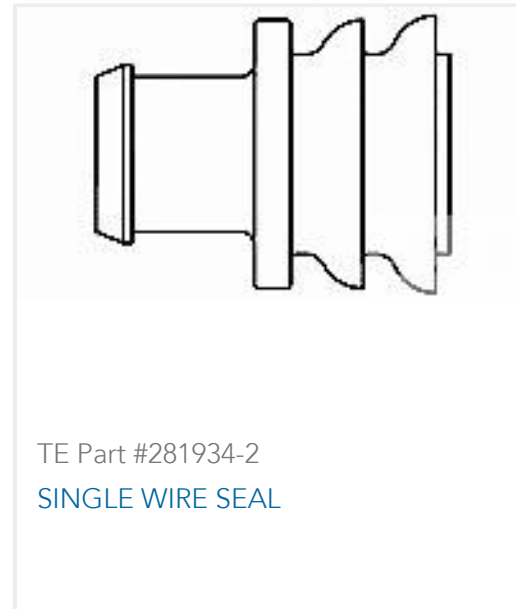
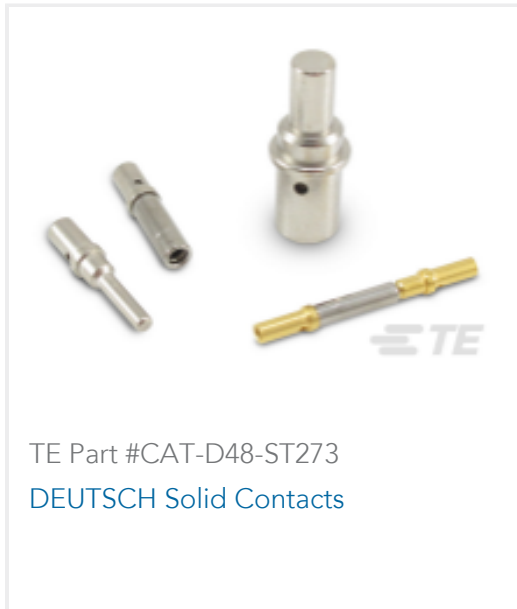
[For compliance documentation, visit the product page on TE.com>](#)

EU RoHS Directive 2011/65/EU	Compliant
EU ELV Directive 2000/53/EC	Compliant
China RoHS 2 Directive MIIT Order No 32, 2016	No Restricted Materials Above Threshold
EU REACH Regulation (EC) No. 1907/2006	Current ECHA Candidate List: JUNE 2024 (241) Candidate List Declared Against: JUNE 2024 (241) Does not contain REACH SVHC
Halogen Content	Not Low Halogen - contains Br or Cl > 900 ppm.
Solder Process Capability	Not applicable for solder process capability

#### Product Compliance Disclaimer

This information is provided based on reasonable inquiry of our suppliers and represents our current actual knowledge based on the information they provided. This information is subject to change. The part numbers that TE has identified as EU RoHS compliant have a maximum concentration of 0.1% by weight in homogenous materials for lead, hexavalent chromium, mercury, PBB, PBDE, DBP, BBP, DEHP, DIBP, and 0.01% for cadmium, or qualify for an exemption to these limits as defined in the Annexes of Directive 2011/65/EU (RoHS2). Finished electrical and electronic equipment products will be CE marked as required by Directive 2011/65/EU. Components may not be CE marked. Additionally, the part numbers that TE has identified as EU ELV compliant have a maximum concentration of 0.1% by weight in homogenous materials for lead, hexavalent chromium, and mercury, and 0.01% for cadmium, or qualify for an exemption to these limits as defined in the Annexes of Directive 2000/53/EC (ELV). Regarding the REACH Regulation, the information TE provides on SVHC in articles for this part number is based on the latest European Chemicals Agency (ECHA) 'Guidance on requirements for substances in articles' posted at this URL: <https://echa.europa.eu/guidance-documents/guidance-on-reach>

### Customers Also Bought



## Documents

### Product Drawings

[202K174-3/86-0](#)

English

### Datasheets & Catalog Pages

[1654025\\_Sec4\\_-3](#)

English

### Raychem Molded Parts Visual Guide

English

### Product Specifications

[Product Specification](#)

English