

4-1191889-0 ✓ ACTIVE

RAYCHEM

TE Internal #: 258215-000

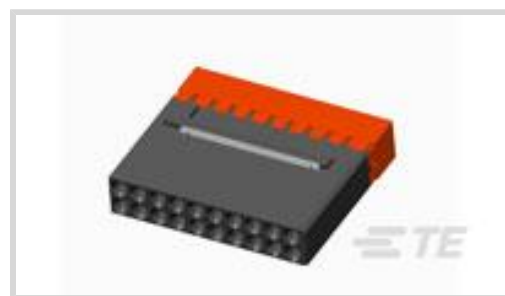
Insert for Contacts, Socket, Wire-to-Wire, Sealable, 22 – 20 AWG, .

34 – .5 mm² Wire, 1.5 A

[View on TE.com >](#)



Connectors > Rectangular Connectors > Rectangular Contact Inserts



Rectangular Connector Insert Type: **Insert for Contacts**

Contact Type: **Socket**

Connector System: **Wire-to-Wire**

Number of Positions: **20**

Sealable: **Yes**

Features

Mechanical Attachment

Connector Mounting Type	Panel Mount
Polarization Code	A/B

Operation/Application

Compatible With Connector Shell Size	50.8 [2.0]
--------------------------------------	------------

Body Features

Primary Product Color	Black
Seal Type	Grommet Seal
Primary Product Material	High Grade Polyarylene Thermoplastic

Housing Features

Centerline (Pitch)	1.27 mm[.05 in]
--------------------	-----------------

Usage Conditions

Operating Temperature Range	-65 – 125 °C[-85 – 257 °F]
-----------------------------	----------------------------

Product Type Features

Connector & Contact Terminates To	Wire & Cable
Rectangular Connector Insert Type	Insert for Contacts
Connector System	Wire-to-Wire
Sealable	Yes

Contact Features



Contact Type	Socket
--------------	--------

Contact Current Rating (Max)	1.5 A
------------------------------	-------

Configuration Features

Number of Positions	20
---------------------	----

Dimensions

Wire Size	.34 – .5 mm ²
-----------	--------------------------

Other

EU RoHS Compliance	Compliant
--------------------	-----------

EU ELV Compliance	Compliant
-------------------	-----------

Product Compliance

[For compliance documentation, visit the product page on TE.com>](#)

EU RoHS Directive 2011/65/EU	Compliant
------------------------------	-----------

EU ELV Directive 2000/53/EC	Compliant
-----------------------------	-----------

China RoHS 2 Directive MIIT Order No 32, 2016	No Restricted Materials Above Threshold
---	---

EU REACH Regulation (EC) No. 1907/2006	Current ECHA Candidate List: JUNE 2024 (241) Candidate List Declared Against: JAN 2024 (240) Does not contain REACH SVHC
--	--

Halogen Content	Not Yet Reviewed for halogen content
-----------------	--------------------------------------

Solder Process Capability	Not applicable for solder process capability
---------------------------	--

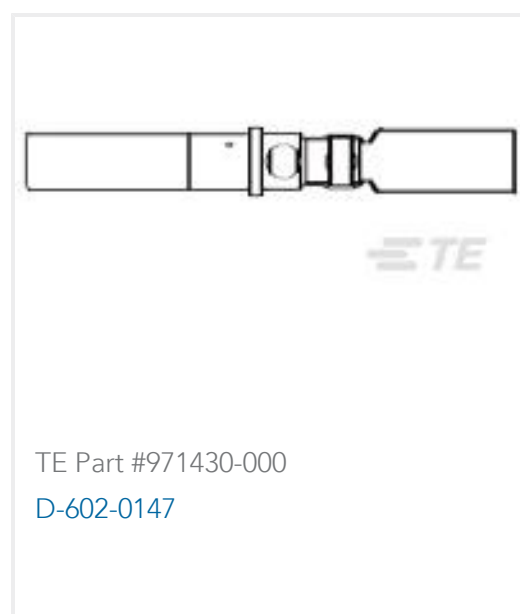
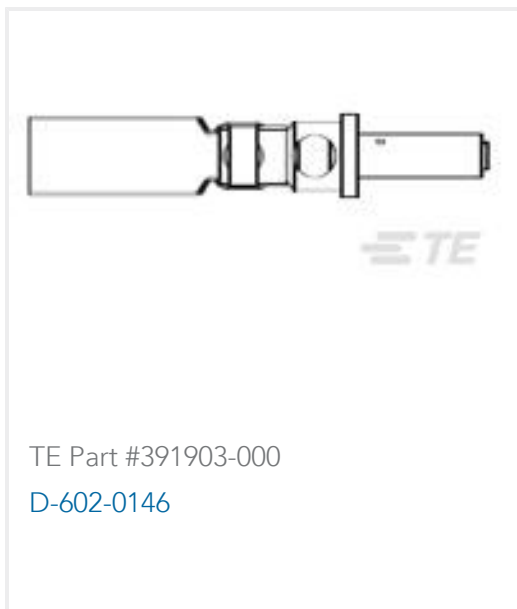
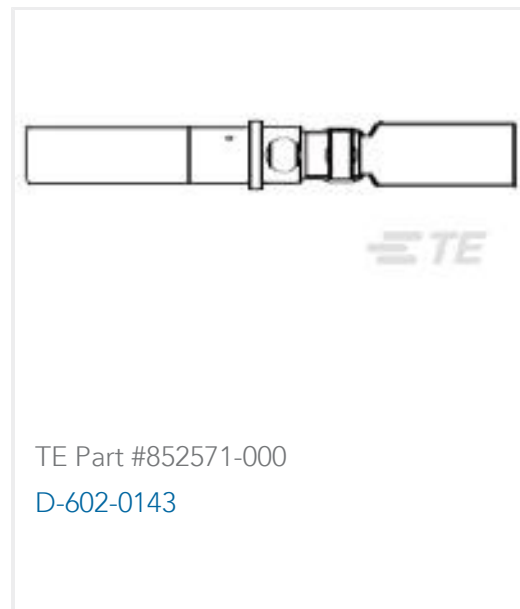
Product Compliance Disclaimer

This information is provided based on reasonable inquiry of our suppliers and represents our current actual knowledge based on the information they provided. This information is subject to change. The part numbers that TE has identified as EU RoHS compliant have a maximum concentration of 0.1% by weight in homogenous materials for lead, hexavalent chromium, mercury, PBB, PBDE, DBP, BBP, DEHP, DIBP, and 0.01% for cadmium, or qualify for an exemption to these limits as defined in the Annexes of Directive 2011/65/EU (RoHS2). Finished electrical and electronic equipment products will be CE marked as required by Directive 2011/65/EU. Components may not be CE marked. Additionally, the part numbers that TE has identified as EU ELV compliant have a maximum concentration of 0.1% by weight in homogenous materials for lead, hexavalent chromium, and mercury, and 0.01% for cadmium, or qualify for an exemption to these limits as defined in the Annexes of Directive 2000/53/EC (ELV). Regarding the REACH Regulation, the information TE provides on SVHC in articles for this part number is based on the latest European Chemicals Agency (ECHA) 'Guidance on requirements for substances in articles' posted at this URL: <https://echa.europa.eu/guidance-documents/guidance-on-reach>

Compatible Parts



Customers Also Bought



Documents

Product Drawings

[MTCP-122-20S1](#)

English

[MTCP-122-20S1](#)

English

[MTCP-122-20S1](#)

English

CAD Files



3D PDF

3D

Customer View Model

[ENG_CVM_CVM_258215-000_C.2d_dxf.zip](#)

English

Customer View Model

[ENG_CVM_CVM_258215-000_C.3d_igs.zip](#)

English

Customer View Model

[ENG_CVM_CVM_258215-000_C.3d_stp.zip](#)

English

By downloading the CAD file I accept and agree to the [Terms and Conditions](#) of use.

Product Specifications

[MTC Connectors with Removable Contacts and Jackscrew Coupling Hardware](#)

English