



Product Compliance

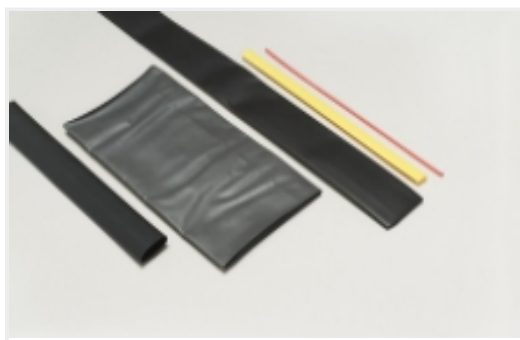
[For compliance documentation, visit the product page on TE.com>](#)

| | |
|---|--|
| EU RoHS Directive 2011/65/EU | Compliant |
| EU ELV Directive 2000/53/EC | Compliant |
| China RoHS 2 Directive MIIT Order No 32, 2016 | No Restricted Materials Above Threshold |
| EU REACH Regulation (EC) No. 1907/2006 | Current ECHA Candidate List: JUNE 2024 (241) Candidate List Declared Against: JAN 2022 (223) Does not contain REACH SVHC |
| Halogen Content | Not Low Halogen - contains Br or Cl > 900 ppm. |
| Solder Process Capability | Not applicable for solder process capability |

Product Compliance Disclaimer

This information is provided based on reasonable inquiry of our suppliers and represents our current actual knowledge based on the information they provided. This information is subject to change. The part numbers that TE has identified as EU RoHS compliant have a maximum concentration of 0.1% by weight in homogenous materials for lead, hexavalent chromium, mercury, PBB, PBDE, DBP, BBP, DEHP, DIBP, and 0.01% for cadmium, or qualify for an exemption to these limits as defined in the Annexes of Directive 2011/65/EU (RoHS2). Finished electrical and electronic equipment products will be CE marked as required by Directive 2011/65/EU. Components may not be CE marked. Additionally, the part numbers that TE has identified as EU ELV compliant have a maximum concentration of 0.1% by weight in homogenous materials for lead, hexavalent chromium, and mercury, and 0.01% for cadmium, or qualify for an exemption to these limits as defined in the Annexes of Directive 2000/53/EC (ELV). Regarding the REACH Regulation, the information TE provides on SVHC in articles for this part number is based on the latest European Chemicals Agency (ECHA) 'Guidance on requirements for substances in articles' posted at this URL: <https://echa.europa.eu/guidance-documents/guidance-on-reach>

Also in the Series | [RAYCHEM RNF-3000](#)



Heat Shrink Tubing(209)



Orange Heat Shrink Tubing(11)



Single Wall Tubing(209)

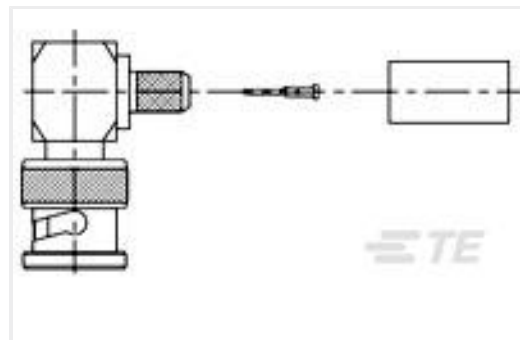
Customers Also Bought



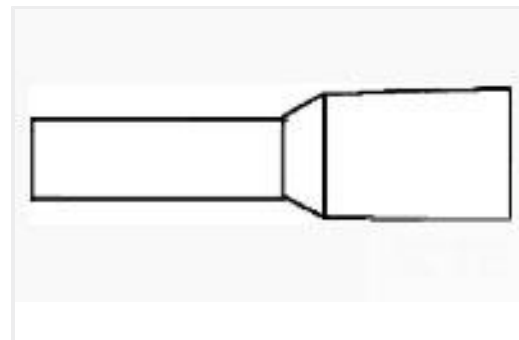
TE Part #6-1879221-8
CPF 0603 7R68 0.1% 25PPM 1K RL



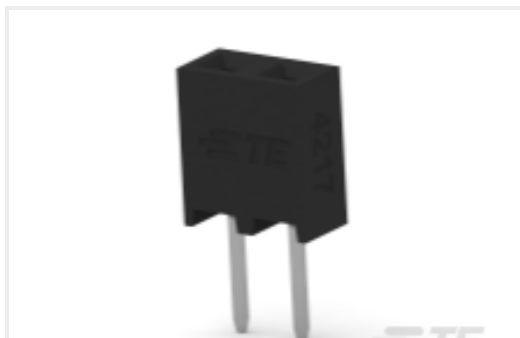
TE Part #CAT-HST-RNF3000
RNF-3000 Heat Shrink Tubing



TE Part #1-1337544-0
BNC R/A Plg Hex 50Ohm Nickel Pltd
RG58C/



TE Part #1-966067-8
FER,WIRE,PL SLV,2.50/14,L18,BLUE,LP



TE Part #2314878-2
2P,2MM,BB,REC,SRVT,2.7,0.76AU,
TUBE



TE Part #EC7637-000
HLX104YW1TS050B



TE Part #5-1676123-6
1/2W SM M/OX 5% 160R



TE Part #1393763-8
V23100V4012A10



TE Part #2245692005
RNF-3000-39/13-1-STK

Documents

Product Drawings

[RNF-3000-24/8-1-STK](#)

English

Datasheets & Catalog Pages

[Measuring_Single_Wall_Tubing](#)

English

[Selecting_Correct_Tubing_1216](#)

English



Product Specifications

Product Specification

English