

2394061-2 ✓ ACTIVE

PowerTube | PowerTube HVP-HD 1000

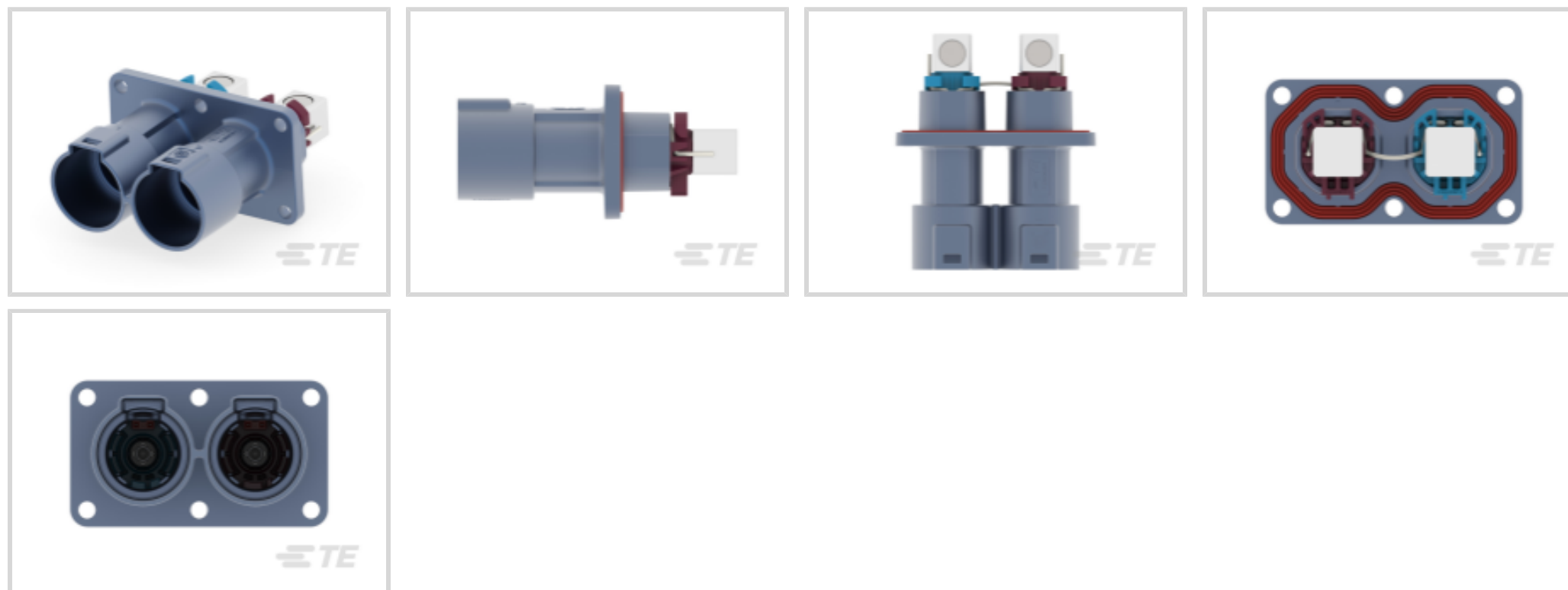
TE Internal #: 2394061-2

Bus Bar-to-Wire, 2 Position, 1 Row, 36mm [1.417in] Centerline,
Silver (Ag), Sealable, Bus Bar, Power, Blue / Purple, PowerTube
HVP-HD 1000

[View on TE.com >](#)



Automotive Parts > Automotive Connectors > Automotive Headers > PowerTube HVP-HD 1000 180° Headers



Termination Method to PCB: **Through Hole - Screw**

Sealable: **Yes**

Centerline (Pitch): **36 mm [1.417 in]**

Connector System: **Bus Bar-to-Wire**

Number of Positions: **2**

[All PowerTube HVP-HD 1000 180° Headers \(87\)](#)

Features

Product Type Features

Header Type	Header & Push-Push Assembly
Connector Product Type	Connector Assembly
Sealable	Yes
Connector System	Bus Bar-to-Wire
Connector & Contact Terminates To	Bus Bar

Configuration Features

Number of Positions	2
Number of Rows	1

Electrical Characteristics

Operating Voltage	1000 VDC
Nominal Voltage Architecture	1000 V

Body Features



Connector & Keying Code	C/D
-------------------------	-----

Primary Product Color	Blue, Purple
-----------------------	--------------

Contact Features

Mating Pin Diameter	10 mm[.393 in]
---------------------	----------------

Contact Type	Pin
--------------	-----

Contact Mating Area Plating Material	Silver (Ag)
--------------------------------------	-------------

Termination Features

Termination Method to PCB	Through Hole - Screw
---------------------------	----------------------

Mechanical Attachment

Mating Alignment Type	Polarization
-----------------------	--------------

Mating Alignment	With
------------------	------

Connector Mounting Type	Panel Mount
-------------------------	-------------

Housing Features

Centerline (Pitch)	36 mm[1.417 in]
--------------------	-----------------

Usage Conditions

Operating Temperature (Max)	140 °C[284 °F]
-----------------------------	----------------

Operating Temperature Range	-40 – 140 °C[-40 – 284 °F]
-----------------------------	----------------------------

Operation/Application

Circuit Application	Power
---------------------	-------

Industry Standards

IP Rating	IP6K9K
-----------	--------

UL Flammability Rating	UL 94V-0
------------------------	----------

Packaging Features

Packaging Method	Container
------------------	-----------

Product Compliance

For compliance documentation, visit the product page on [TE.com](https://www.te.com)>

EU RoHS Directive 2011/65/EU	Compliant
------------------------------	-----------

EU ELV Directive 2000/53/EC	Compliant
-----------------------------	-----------

China RoHS 2 Directive MIIT Order No 32, 2016	有害物质含量符合标准要求 No Restricted Substance(s) Above Threshold
---	---

EU REACH Regulation (EC) No. 1907/2006	
--	--



Current ECHA Candidate List: JUNE 2025 (250)

Candidate List Declared Against: JUNE 2025 (250)

SVHC > Threshold:

Decamethylcyclotrasiloxane (D5) (2.41% in M-48205-14)

Octamethylcyclotetrasiloxane (D4) (10% in Component Part)

Article Safe Usage Statements:

Wash thoroughly after handling. Recycle if possible and dispose of the article by following all applicable governmental regulations relevant to your geographic location.

Halogen Content	Low Halogen - Br, Cl, F < 900 ppm per homogenous material. Also BFR/CFR/PVC Free
-----------------	--

Solder Process Capability	Not reviewed for solder process capability
---------------------------	--

Product Compliance Disclaimer

This information is provided based on reasonable inquiry of our suppliers and represents our current actual knowledge based on the information they provided. This information is subject to change. The part numbers that TE has identified as EU RoHS compliant have a maximum concentration of 0.1% by weight in homogenous materials for lead, hexavalent chromium, mercury, PBB, PBDE, DBP, BBP, DEHP, DIBP, and 0.01% for cadmium, or qualify for an exemption to these limits as defined in the Annexes of Directive 2011/65/EU (RoHS2). Finished electrical and electronic equipment products will be CE marked as required by Directive 2011/65/EU. Components may not be CE marked. Additionally, the part numbers that TE has identified as EU ELV compliant have a maximum concentration of 0.1% by weight in homogenous materials for lead, hexavalent chromium, and mercury, and 0.01% for cadmium, or qualify for an exemption to these limits as defined in the Annexes of Directive 2000/53/EC (ELV). Regarding the REACH Regulation, the information TE provides on SVHC in articles for this part number is based on the latest European Chemicals Agency (ECHA) 'Guidance on requirements for substances in articles' posted at this URL: <https://echa.europa.eu/guidance-documents/guidance-on-reach>

Compatible Parts



TE Part # 2494574-2
HD1000 BLIND PLUG GEN2 NO SHIELD TOOL



TE Part # 2485612-2
HD1000 BLIND PLUG GEN2 TOOL



TE Part # 2494574-1
HD1000 BLIND PLUG GEN2 NO SHIELD FINGER



TE Part # 2407806-1
COVER, SHIPPING CAP FOR HD1000 HEADER

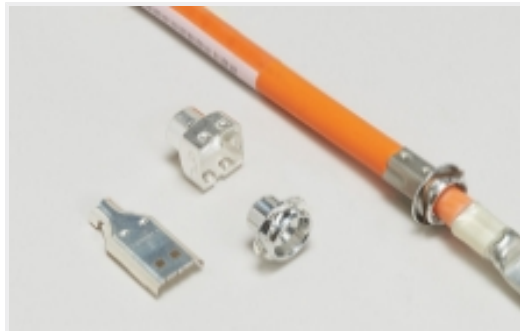


TE Part # CAT-AQ4-HFFTH1000
PowerTube HVP-HD 1000 Plug Pre-Assemblies

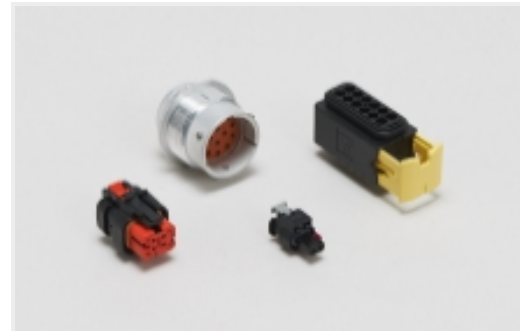


TE Part # 2485612-1
HD1000 BLIND PLUG GEN2 FINGER

Also in the Series | PowerTube HVP-HD 1000



Automotive Connector EMC Shielding
(4)



Automotive Housings(26)



Automotive Seals & Cavity Plugs(9)



Other Automotive Connector
Accessories(29)

Customers Also Bought



TE Part #254699-E
SRCA 2,54 6 M 1 SMD 137 E1 094 *
GURT *



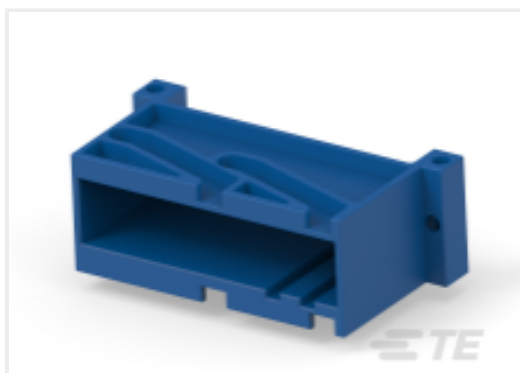
TE Part #62336-1
110 FASTON FLAG REC 22-18 AWG
TPBR



TE Part #180464-2
250 FASTON,FLAG,REC.,14-17AWG,
LATON



TE Part #7-180984-0
250 FASTON BOOT FLAG REC. 1P
NATURAL



TE Part #1-1355587-4
MOD2 PIN HEADER 32P



TE Part #5-1393211-4
T92P11D22-24



TE Part #2317531-1
2X8POS,NANOMQS,HDR ASSY,
180DEG,SMD,COD A



TE Part #CAT-AQ4-HHD1000180
PowerTube HVP-HD 1000 180°
Headers



TE Part #2399607-1
2POS,HVP1400,ASSY,180DEG,COD A
/B

Documents

Product Drawings

2POS,HVP1000,ASSY,180DEG,COD C/D

English

CAD Files

Customer View Model

ENG_CVM_CVM_2394061-2_D.3d_stp.zip



English

Customer View Model

[ENG_CVM_CVM_2394061-2_D.3d_igs.zip](#)

English

Customer View Model

[ENG_CVM_CVM_2394061-2_D.2d_dxf.zip](#)

English

3D PDF

3D

By downloading the CAD file I accept and agree to the [Terms and Conditions](#) of use.

Datasheets & Catalog Pages

[HIVONEX CONNECTORS & CHARGING SOLUTIONS](#)

English

Product Specifications

[Application Specification](#)

English