

2382635-1 ✓ ACTIVE

LUMAWISE | Custom Terminal Block

TE Internal #: 2382635-1

UL, 3 Position, -40 – 105 °C [-40 – 221 °F], Custom Terminal Block,
Street Lighting Power Management

[View on TE.com >](#)



Connectors > Lighting Connectors > Street Lighting Controls > Street Lighting Power Management



Compatible With Agency/Standards Products: **UL**

Number of Positions: **3**

Sealable: **No**

Contact Current Rating (Max): **15 A**

Operating Temperature Range: **-40 – 105 °C [-40 – 221 °F]**

Features

Product Type Features

Sealable	No
----------	----

Configuration Features

Number of Positions	3
---------------------	---

Contact Features

Contact Current Rating (Max)	15 A
------------------------------	------

Housing Features

Centerline (Pitch)	15.3 mm [.606 in]
--------------------	-------------------

Usage Conditions

Operating Temperature Range	-40 – 105 °C [-40 – 221 °F]
-----------------------------	-----------------------------

Industry Standards

Compatible With Agency/Standards Products	UL
---	----

Product Compliance

[For compliance documentation, visit the product page on TE.com>](#)



EU RoHS Directive 2011/65/EU	Compliant
EU ELV Directive 2000/53/EC	Compliant
China RoHS 2 Directive MIIT Order No 32, 2016	有害物质含量符合标准要求 No Restricted Substance(s) Above Threshold
EU REACH Regulation (EC) No. 1907/2006	Current ECHA Candidate List: JUNE 2025 (250) Candidate List Declared Against: JUNE 2025 (250) Does not contain REACH SVHC
Halogen Content	Not Low Halogen - contains Br or Cl > 900 ppm.
Solder Process Capability	Not reviewed for solder process capability

Product Compliance Disclaimer

This information is provided based on reasonable inquiry of our suppliers and represents our current actual knowledge based on the information they provided. This information is subject to change. The part numbers that TE has identified as EU RoHS compliant have a maximum concentration of 0.1% by weight in homogenous materials for lead, hexavalent chromium, mercury, PBB, PBDE, DBP, BBP, DEHP, DIBP, and 0.01% for cadmium, or qualify for an exemption to these limits as defined in the Annexes of Directive 2011/65/EU (RoHS2). Finished electrical and electronic equipment products will be CE marked as required by Directive 2011/65/EU. Components may not be CE marked. Additionally, the part numbers that TE has identified as EU ELV compliant have a maximum concentration of 0.1% by weight in homogenous materials for lead, hexavalent chromium, and mercury, and 0.01% for cadmium, or qualify for an exemption to these limits as defined in the Annexes of Directive 2000/53/EC (ELV). Regarding the REACH Regulation, the information TE provides on SVHC in articles for this part number is based on the latest European Chemicals Agency (ECHA) 'Guidance on requirements for substances in articles' posted at this URL: <https://echa.europa.eu/guidance-documents/guidance-on-reach>

Compatible Parts

TE Part # 2-2343403-1
RECEPTACLE, LUMAWISE ENDURANCE S, KEYED

TE Part # 2363638-2
Recept, LUMAWISE Endurance S2 Kit, KeyA

TE Part # 2343403-1
RECEPTACLE, LUMAWISE ENDURANCE S, KEYED

TE Part # 2505632-3
LITE BRACKET ASM, LUMAWISE END. S. KEYED

TE Part # 2505632-4
LITE BRKT ASM BASIC, LUMA END. S, KEYED

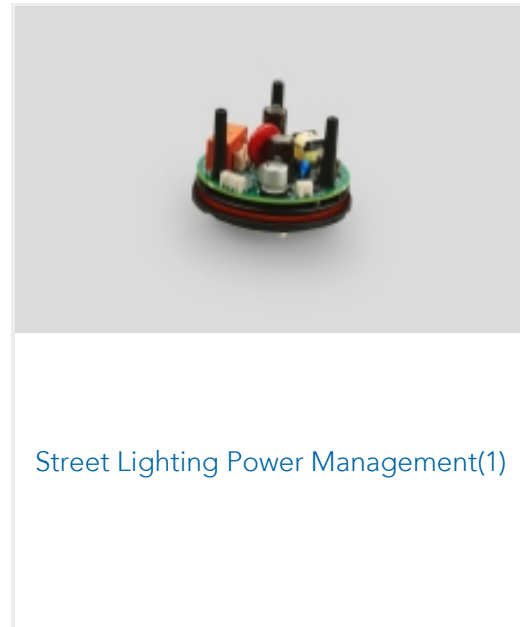
TE Part # 2341474-2
SEALING CAP, RCPT, LUMAWISE ENDURANCE S

TE Part # 2341474-1
SEALING CAP, RCPT, LUMAWISE ENDURANCE S

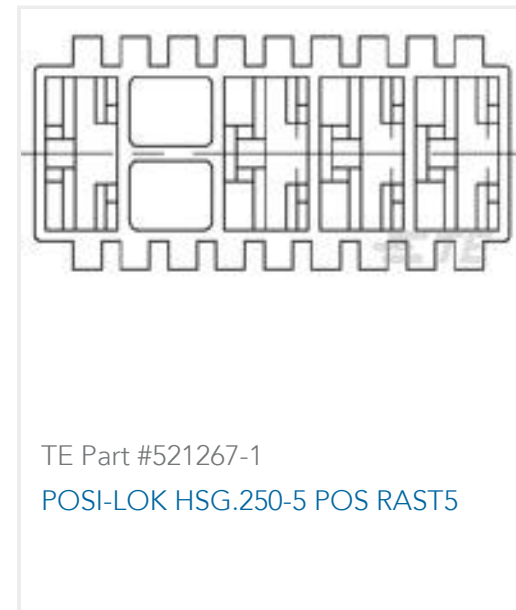
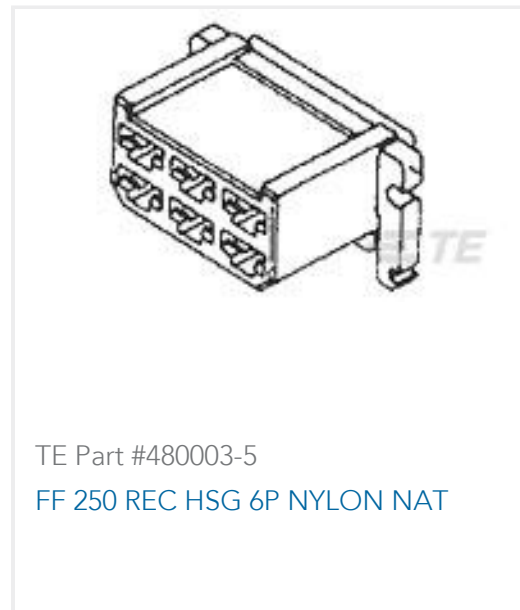
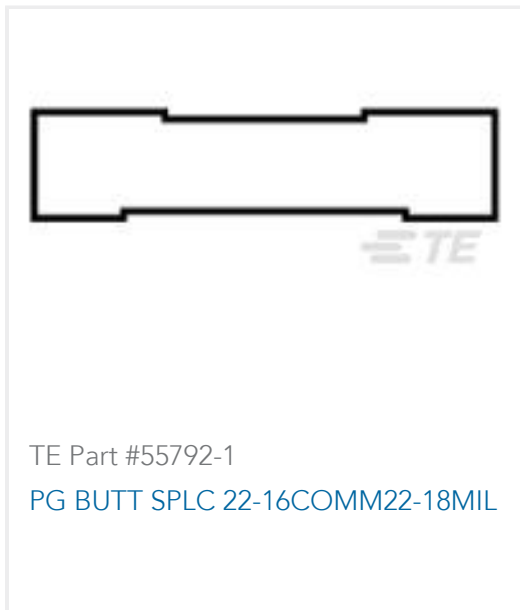
TE Part # CAT-Z23-DRE
LUMAWISE Endurance N Poke-In: Streetlight Dimming Receptacles



Also in the Series | Custom Terminal Block



Customers Also Bought





Documents

Product Drawings

[LUMAWISE POWER INPUT TERMINAL BLOCK \(TB\)](#)

English

CAD Files

[3D PDF](#)

3D

Customer View Model

[ENG_CVM_CVM_2382635-1_1.2d_dxf.zip](#)

English

Customer View Model

[ENG_CVM_CVM_2382635-1_1.3d_igs.zip](#)

English

Customer View Model

[ENG_CVM_CVM_2382635-1_1.3d_stp.zip](#)

English

By downloading the CAD file I accept and agree to the [Terms and Conditions](#) of use.

Datasheets & Catalog Pages

[LUMAWISE Power Input Terminal Block](#)

English

Product Specifications

[Application Specification](#)

English

Agency Approvals

[UL](#)

English