

2366036-3 ✓ ACTIVE

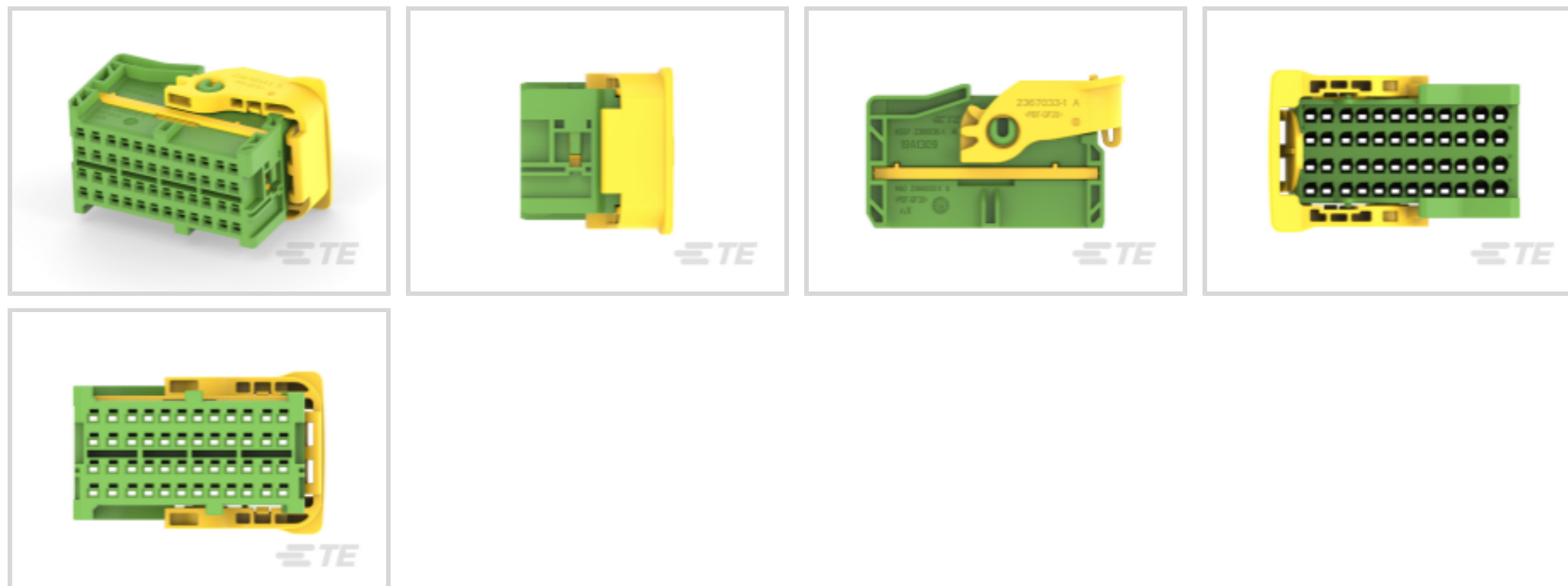
TE Internal #: 2366036-3

48 Position Housing, Housing for Female Terminals, Wire-to-Wire, 3 mm / 3.5 mm [.118 in / .138 in] Centerline, Green, Wire & Cable

[View on TE.com >](#)



Connectors > Automotive Connectors > Automotive Housings



Number of Positions: **48**

Connector & Housing Type: **Housing for Female Terminals**

Mating Tab Width: **1.2 mm [.047 in]**

Connector System: **Wire-to-Wire**

Centerline (Pitch): **3 mm, 3.5 mm [.118 in, .138 in]**

Features

Electrical Characteristics

Operating Voltage	24 VDC
-------------------	--------

Industry Standards

UL Flammability Rating	UL 94HB
------------------------	---------

Mechanical Attachment

Mating Alignment Type	Keyed
Mating Alignment	With
Connector Mounting Type	Cable Mount (Free-Hanging)

Contact Features

Contact Size	1.2mm
Contact Type	Receptacle
Mating Tab Width	1.2 mm[.047 in]
Contact Current Rating (Max)	22 A

Product Type Features

Connector Shape	Rectangular
Mixed & Hybrid Connector	No



Connector & Housing Type	Housing for Female Terminals
Connector System	Wire-to-Wire
Sealable	No
Primary Locking Feature	Locking Lance
Connector & Contact Terminates To	Wire & Cable

Configuration Features

Number of Positions	48
Number of Rows	4

Body Features

Primary Product Color	Green
Connector & Keying Code	C

Housing Features

Centerline (Pitch)	3 mm, 3.5 mm [.118 in][.138 in]
--------------------	---------------------------------

Usage Conditions

Operating Temperature (Max)	120 °C[248 °F]
Operating Temperature Range	-40 – 120 °C[-40 – 248 °F]

Other

Connector Position Assurance Capable	No
EU RoHS Compliance	Compliant
EU ELV Compliance	Compliant

Product Compliance

[For compliance documentation, visit the product page on TE.com>](#)

EU RoHS Directive 2011/65/EU	Compliant
EU ELV Directive 2000/53/EC	Compliant
China RoHS 2 Directive MIIT Order No 32, 2016	No Restricted Materials Above Threshold
EU REACH Regulation (EC) No. 1907/2006	Current ECHA Candidate List: JUNE 2024 (241) Candidate List Declared Against: JUNE 2024 (241) Does not contain REACH SVHC
Halogen Content	BFR/CFR/PVC Free, but Br/Cl >900 ppm in other sources.
Solder Process Capability	Not reviewed for solder process capability

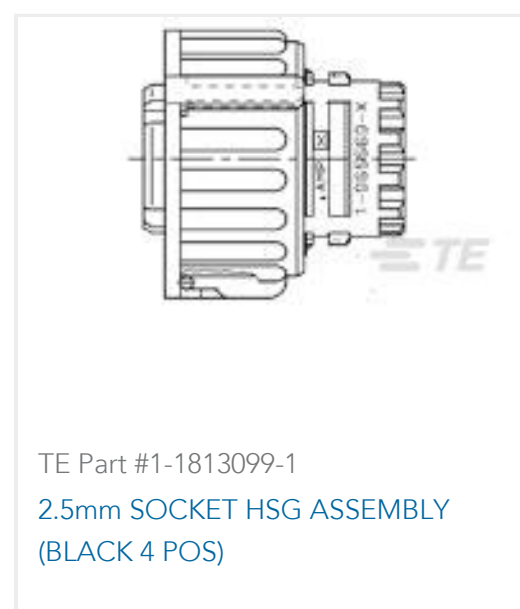
Product Compliance Disclaimer

This information is provided based on reasonable inquiry of our suppliers and represents our current actual knowledge based on the information they provided. This information is subject to change. The part numbers that TE has identified as EU RoHS compliant have a maximum concentration of 0.1% by weight in homogenous materials for lead, hexavalent chromium, mercury, PBB, PBDE, DBP, BBP, DEHP, DIBP, and 0.01% for cadmium, or qualify for an exemption to these limits as defined in the Annexes of Directive 2011/65/EU (RoHS2). Finished electrical and electronic equipment products will be CE marked as required by Directive 2011/65/EU. Components may not be CE marked. Additionally, the part numbers that TE has identified as EU ELV compliant have a maximum concentration of 0.1% by weight in homogenous materials for lead, hexavalent chromium, and mercury, and 0.01% for cadmium, or qualify for an exemption to these limits as defined in the Annexes of Directive 2000/53/EC (ELV). Regarding the REACH Regulation, the information TE provides on SVHC in articles for this part number is based on the latest European Chemicals Agency (ECHA) 'Guidance on requirements for substances in articles' posted at this URL: <https://echa.europa.eu/guidance-documents/guidance-on-reach>

Compatible Parts



Customers Also Bought



Documents

Product Drawings

48POS,MCON 1.2,REC HSG ASSY,UNSLD,COD C

English



CAD Files

3D PDF

3D

Customer View Model

[ENG_CVM_CVM_2366036-3_A.2d_dxf.zip](#)

English

Customer View Model

[ENG_CVM_CVM_2366036-3_A.3d_igs.zip](#)

English

Customer View Model

[ENG_CVM_CVM_2366036-3_A.3d_stp.zip](#)

English

By downloading the CAD file I accept and agree to the [Terms and Conditions](#) of use.

Datasheets & Catalog Pages

Unsealed Interconnection System I&C Tran

English

Product Specifications

Application Specification

English