



Antennas

Antenna Product Type: **Antenna**EU RoHS Compliance: **Compliant with Exemptions****Features****Body Features**

Product Weight	225 g[7.94 oz]
----------------	----------------

Operation/Application

Antenna Environment	Outdoor
Wireless Standard	LTE, UMTS, US Dual, EU Triband & WCDMA

Dimensions

Product Height	30 mm[1.18 in]
Cable Length	2 m[6.56 ft]
Cable Insulation Diameter (Max)	5 mm[.2 in]

Product Availability

Applicable Region	Global
-------------------	--------

Configuration Features

Antenna Style	Enclosure
---------------	-----------

Electrical Characteristics

Impedance	50 Ω
Antenna Operation	Passive
VSWR (Max)	<2:1

Signal Characteristics

Frequency Band	2400 – 5000 MHz
Gain (Max)	5 dB

Packaging Features

Packaging Method	Bag & Box
------------------	-----------

Product Type Features

Antenna Product Type	Antenna
----------------------	---------

Other

EU RoHS Compliance	Compliant with Exemptions
--------------------	---------------------------

Product Compliance

[For compliance documentation, visit the product page on TE.com>](#)

EU RoHS Directive 2011/65/EU	Compliant with Exemptions
EU ELV Directive 2000/53/EC	Not Yet Reviewed
China RoHS 2 Directive MIIT Order No 32, 2016	Restricted Materials Above Threshold
EU REACH Regulation (EC) No. 1907/2006	<p>Current ECHA Candidate List: JUNE 2024 (241)</p> <p>Candidate List Declared Against: JUNE 2024 (241)</p> <p>SVHC > Threshold:</p> <p>Pb (4% in Component Part)</p> <p>Article Safe Usage Statements: Do not eat, drink or smoke when using this product. Wash thoroughly after handling. Recycle if possible and dispose of the article by following all applicable governmental regulations relevant to your geographic location.</p>
Halogen Content	Low Halogen - Br, Cl, F, I < 900 ppm per homogenous material. Also BFR/CFR/PVC Free
Solder Process Capability	Not reviewed for solder process capability

Product Compliance Disclaimer

This information is provided based on reasonable inquiry of our suppliers and represents our current actual knowledge based on the information they provided. This information is subject to change. The part numbers that TE has identified as EU RoHS compliant have a maximum concentration of 0.1% by weight in homogenous materials for lead, hexavalent chromium, mercury, PBB, PBDE, DBP, BBP, DEHP, DIBP, and 0.01% for cadmium, or qualify for an exemption to these limits as defined in the Annexes of Directive 2011/65/EU (RoHS2). Finished electrical and electronic equipment products will be CE marked as required by Directive 2011/65/EU. Components may not be CE marked. Additionally, the part numbers that TE has identified as EU ELV compliant have a maximum concentration of 0.1% by weight in homogenous materials for lead, hexavalent chromium, and mercury, and 0.01% for cadmium, or qualify for an exemption to these limits as defined in the Annexes of Directive 2000/53/EC (ELV). Regarding the REACH Regulation, the information TE provides on SVHC in articles for this part number is based on the latest European Chemicals Agency (ECHA) 'Guidance on requirements for substances in articles' posted at this URL: <https://echa.europa.eu/guidance-documents/guidance-on-reach>

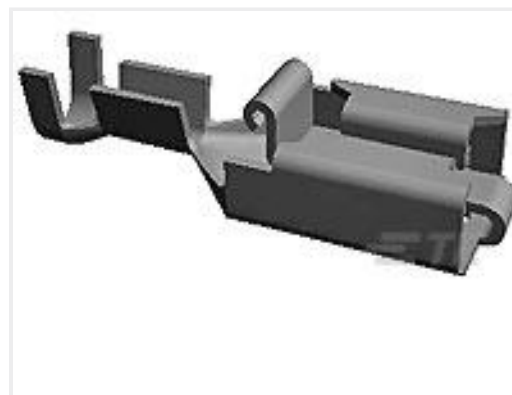
Customers Also Bought



TE Part #CAT-R21-73106549
Bulbous Heat Shrink Boots: Lipped,
Right Angle



TE Part #1-1703543-0
2POS,TAB 2.8X0.8,TAB HSG,ASSY



TE Part #154717-6
PL 250 REC TERMINAL 14-11 AWG
PTPB

Documents

Datasheets & Catalog Pages

CEILING MOUNTED MIMO WIFI ANTENNA

English

Datasheet For Ceiling Mount Antenna

English

Instruction Sheets

Instruction Sheet (non U.S.)

English