



## Antennas

Antenna Product Type: **Antenna**EU RoHS Compliance: **Compliant with Exemptions****Features****Body Features**

|                |                |
|----------------|----------------|
| Product Weight | 225 g[7.94 oz] |
|----------------|----------------|

**Operation/Application**

|                     |  |
|---------------------|--|
| Antenna Environment | Outdoor                                |
| Wireless Standard   | LTE, UMTS, US Dual, EU Triband & WCDMA |

**Dimensions**

|                                 |                |
|---------------------------------|----------------|
| Product Height                  | 30 mm[1.18 in] |
| Cable Length                    | 2 m[6.56 ft]   |
| Cable Insulation Diameter (Max) | 5 mm[.2 in]    |

**Product Availability**

|                   |        |
|-------------------|--------|
| Applicable Region | Global |
|-------------------|--------|

**Configuration Features**

|               |           |
|---------------|-----------|
| Antenna Style | Enclosure |
|---------------|-----------|

**Electrical Characteristics**

|                   |             |
|-------------------|-------------|
| Impedance         | 50 $\Omega$ |
| Antenna Operation | Passive     |
| VSWR (Max)        | <2:1        |

**Signal Characteristics**

|                |                 |
|----------------|-----------------|
| Frequency Band | 2400 – 5000 MHz |
| Gain (Max)     | 5 dB            |

### Packaging Features

|                  |           |
|------------------|-----------|
| Packaging Method | Bag & Box |
|------------------|-----------|

### Product Type Features

|                      |         |
|----------------------|---------|
| Antenna Product Type | Antenna |
|----------------------|---------|

### Other

|                    |                           |
|--------------------|---------------------------|
| EU RoHS Compliance | Compliant with Exemptions |
|--------------------|---------------------------|

## Product Compliance

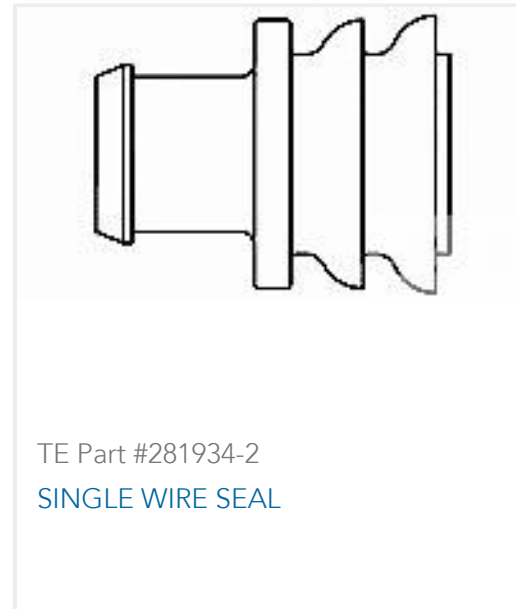
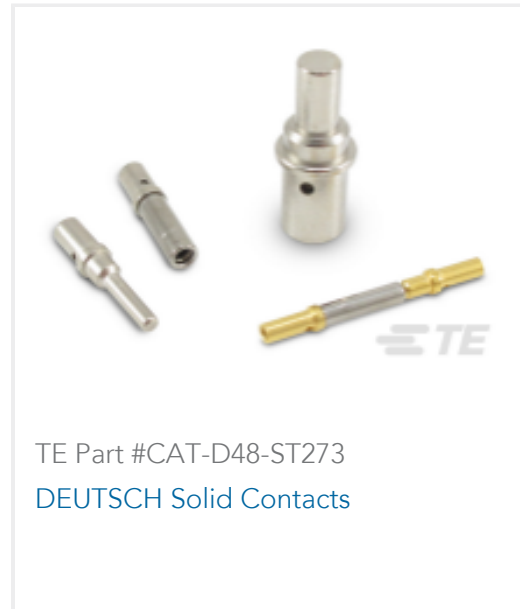
[For compliance documentation, visit the product page on TE.com>](#)

|   |   |
|---|---|
| EU RoHS Directive 2011/65/EU                  | Compliant with Exemptions   |
| EU ELV Directive 2000/53/EC                   | Not Yet Reviewed  |
| China RoHS 2 Directive MIIT Order No 32, 2016 | Restricted Materials Above Threshold  |
| EU REACH Regulation (EC) No. 1907/2006        | <p>Current ECHA Candidate List: JUNE 2024 (241)</p> <p>Candidate List Declared Against: JUNE 2024 (241)</p> <p>SVHC &gt; Threshold:</p> <p>Pb (4% in Component Part)</p> <p><b>Article Safe Usage Statements:</b><br/>Do not eat, drink or smoke when using this product. Wash thoroughly after handling. Recycle if possible and dispose of the article by following all applicable governmental regulations relevant to your geographic location.</p> |
| Halogen Content                               | Low Halogen - Br, Cl, F, I < 900 ppm per homogenous material. Also BFR/CFR/PVC Free   |
| Solder Process Capability                     | Not reviewed for solder process capability  |

#### Product Compliance Disclaimer

This information is provided based on reasonable inquiry of our suppliers and represents our current actual knowledge based on the information they provided. This information is subject to change. The part numbers that TE has identified as EU RoHS compliant have a maximum concentration of 0.1% by weight in homogenous materials for lead, hexavalent chromium, mercury, PBB, PBDE, DBP, BBP, DEHP, DIBP, and 0.01% for cadmium, or qualify for an exemption to these limits as defined in the Annexes of Directive 2011/65/EU (RoHS2). Finished electrical and electronic equipment products will be CE marked as required by Directive 2011/65/EU. Components may not be CE marked. Additionally, the part numbers that TE has identified as EU ELV compliant have a maximum concentration of 0.1% by weight in homogenous materials for lead, hexavalent chromium, and mercury, and 0.01% for cadmium, or qualify for an exemption to these limits as defined in the Annexes of Directive 2000/53/EC (ELV). Regarding the REACH Regulation, the information TE provides on SVHC in articles for this part number is based on the latest European Chemicals Agency (ECHA) 'Guidance on requirements for substances in articles' posted at this URL: <https://echa.europa.eu/guidance-documents/guidance-on-reach>

## Customers Also Bought



## Documents

### Datasheets & Catalog Pages

[CEILING MOUNTED MIMO WIFI ANTENNA](#)

English

[Datasheet For Ceiling Mount Antenna](#)

English

### Instruction Sheets

[Instruction Sheet \(non U.S.\)](#)

English