

2334614-2 ✓ ACTIVE

[Power Versa-Lock](#) | [Power Versa-Lock 5.0](#)

TE Internal #: 2334614-2

Protective Cover, Red, Glass-Filled PBT, 2 Position, Power Versa-Lock 5.0

[View on TE.com >](#)



Connectors > Connector Accessories > Connector Caps & Covers



Connector Cover Type: **Protective Cover**

Primary Product Color: **Red**

Primary Product Material: **Glass-Filled PBT**

Number of Positions: **2**

Operating Temperature Range: **-30 – 140 °C [-22 – 284 °F]**

Features

Product Type Features

Sealable	Yes
Connector Cover Type	Protective Cover

Configuration Features

Number of Positions	2
---------------------	---

Body Features

Primary Product Color	Red
Primary Product Material	Glass-Filled PBT

Housing Features

Compatible With Connector Shape	Rectangular
---------------------------------	-------------

Usage Conditions

Operating Temperature Range	-30 – 140 °C [-22 – 284 °F]
-----------------------------	-------------------------------

Packaging Features

Packaging Method	Bag/Box
------------------	---------

Product Compliance

[For compliance documentation, visit the product page on TE.com>](#)

EU RoHS Directive 2011/65/EU	Compliant
------------------------------	-----------



EU ELV Directive 2000/53/EC	Compliant
China RoHS 2 Directive MIIT Order No 32, 2016	有害物质含量符合标准要求 No Restricted Substance(s) Above Threshold
EU REACH Regulation (EC) No. 1907/2006	Current ECHA Candidate List: JUNE 2025 (250) Candidate List Declared Against: JUNE 2025 (250) Does not contain REACH SVHC
Halogen Content	Not Low Halogen - contains Br or Cl > 900 ppm.
Solder Process Capability	Not reviewed for solder process capability

Product Compliance Disclaimer

This information is provided based on reasonable inquiry of our suppliers and represents our current actual knowledge based on the information they provided. This information is subject to change. The part numbers that TE has identified as EU RoHS compliant have a maximum concentration of 0.1% by weight in homogenous materials for lead, hexavalent chromium, mercury, PBB, PBDE, DBP, BBP, DEHP, DIBP, and 0.01% for cadmium, or qualify for an exemption to these limits as defined in the Annexes of Directive 2011/65/EU (RoHS2). Finished electrical and electronic equipment products will be CE marked as required by Directive 2011/65/EU. Components may not be CE marked. Additionally, the part numbers that TE has identified as EU ELV compliant have a maximum concentration of 0.1% by weight in homogenous materials for lead, hexavalent chromium, and mercury, and 0.01% for cadmium, or qualify for an exemption to these limits as defined in the Annexes of Directive 2000/53/EC (ELV). Regarding the REACH Regulation, the information TE provides on SVHC in articles for this part number is based on the latest European Chemicals Agency (ECHA) 'Guidance on requirements for substances in articles' posted at this URL: <https://echa.europa.eu/guidance-documents/guidance-on-reach>

Compatible Parts



TE Part # 2-2378158-2
Power Versa-Lock CAP, 1X2 KEY B



TE Part # 7-2378159-2
Power Versa-Lock PLUG, 1X2 KEY G



TE Part # 5-2378158-2
Power Versa-Lock CAP, 1X2 KEY E



TE Part # 4-2378158-2
Power Versa-Lock CAP, 1X2 KEY D



TE Part # 9-2378158-2
Power Versa-Lock CAP, 1X2 KEY I



TE Part # 3-2381315-2
Power Versa-Lock PLUG, 1X2 KEY C, GWT



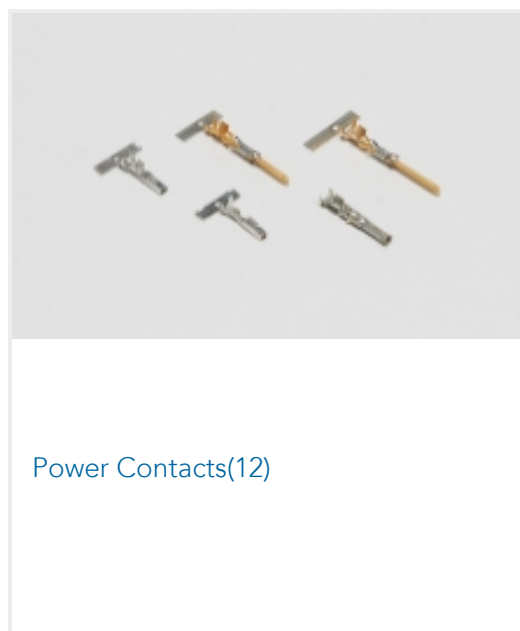
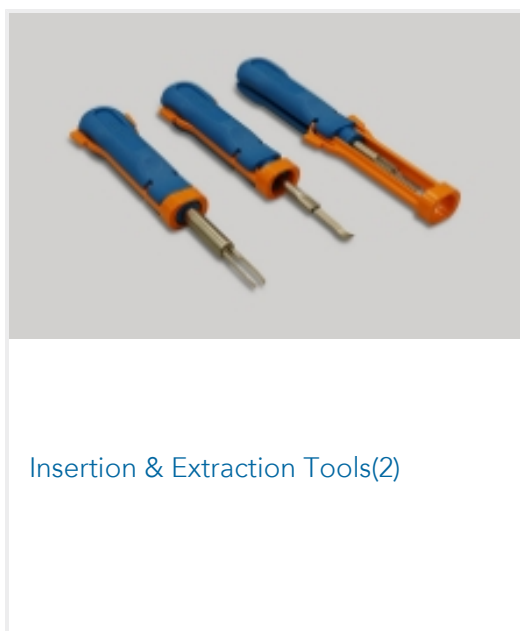
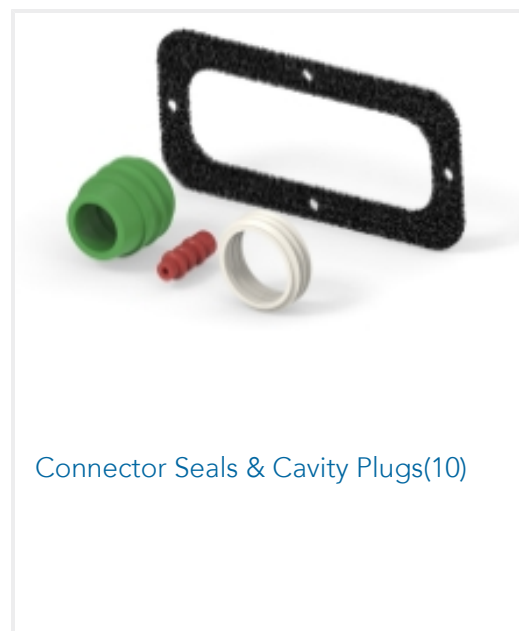
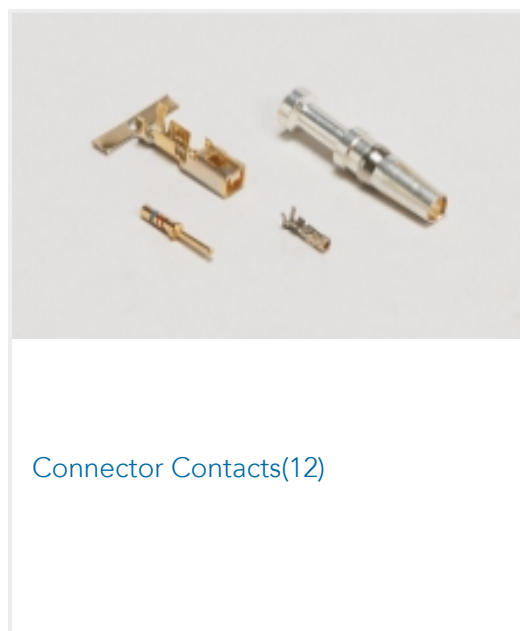
TE Part # 8-2378159-2
Power Versa-Lock PLUG, 1X2 KEY H



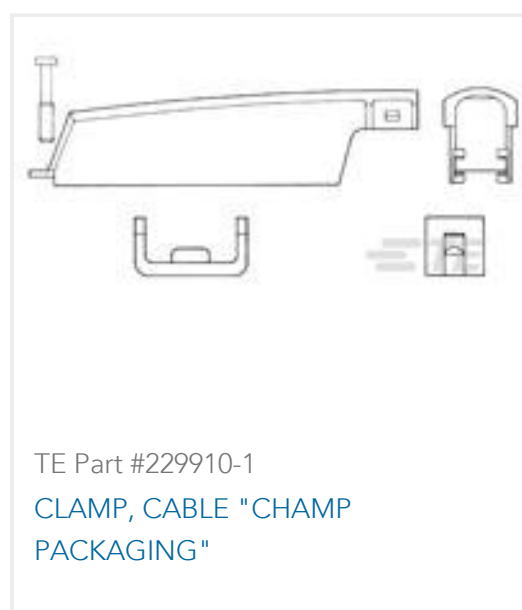
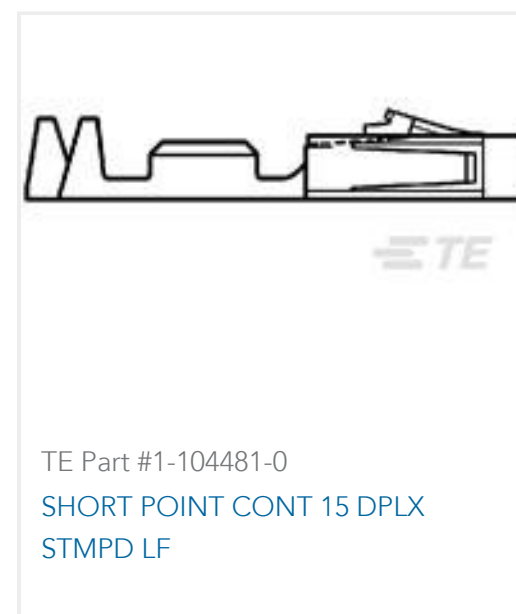
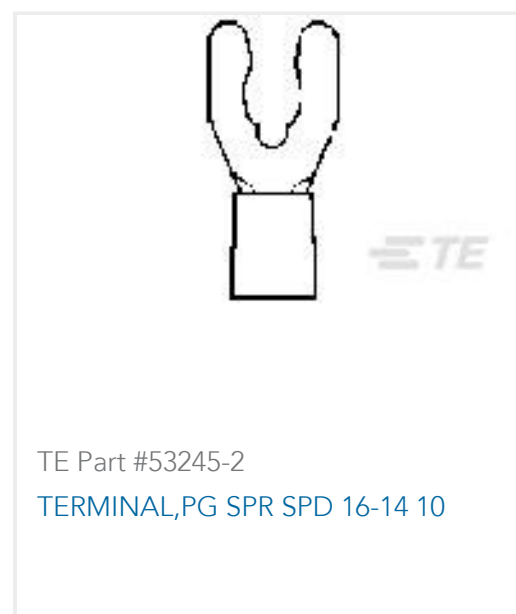
TE Part # 9-2378159-2
Power Versa-Lock PLUG, 1X2 KEY I



Also in the Series | **Power Versa-Lock 5.0**



Customers Also Bought



Documents

CAD Files

Customer View Model

[ENG_CVM_CVM_2334614-2_A1.3d_stp.zip](#)

English

Customer View Model

[ENG_CVM_CVM_2334614-2_A1.2d_dxf.zip](#)

English

Customer View Model

[ENG_CVM_CVM_2334614-2_A1.3d_igs.zip](#)

English

3D PDF

3D

By downloading the CAD file I accept and agree to the [Terms and Conditions](#) of use.

Datasheets & Catalog Pages

[power-versa-lock-connectors-0421](#)

English

Product Specifications



Application Specification

English

Instruction Sheets

Instruction Sheet (U.S.)

English