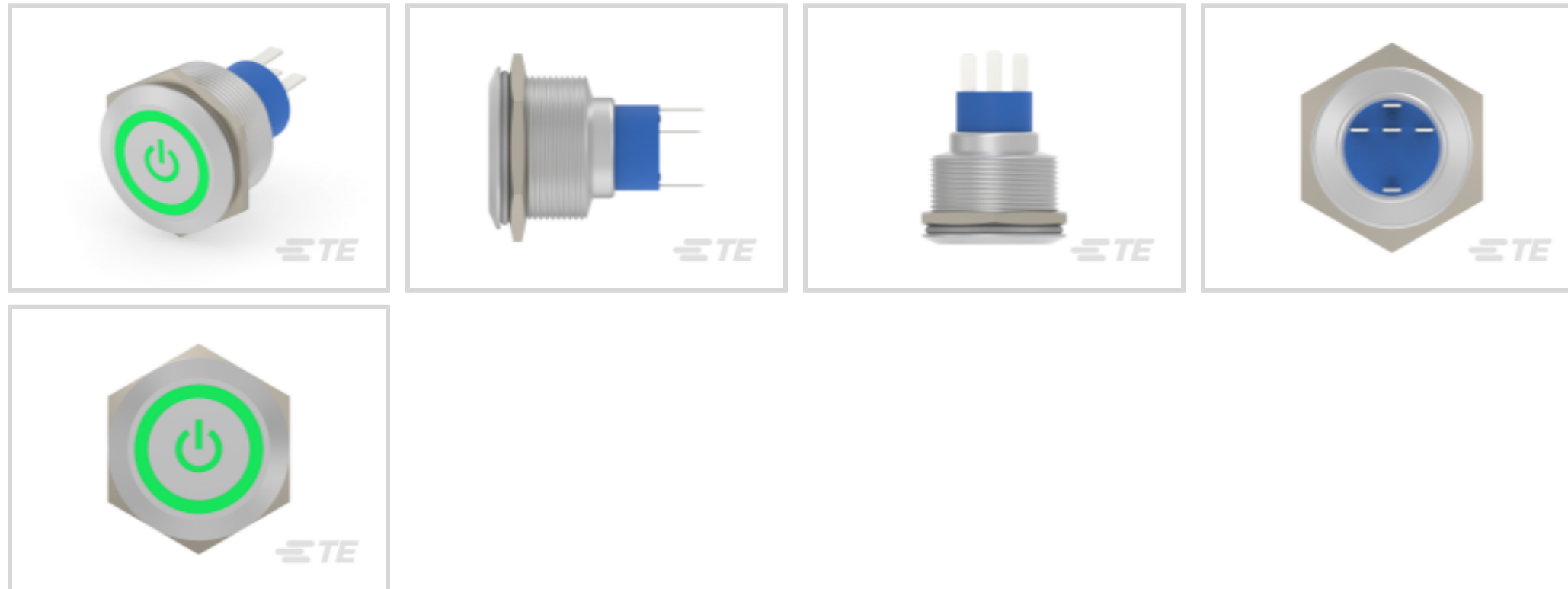




Switches > Push Button Switches



Configuration (Pole-Throw): **Single Pole - Single Throw**

Push Button Switch Product Type: **Anti-Vandal Switch**

Number of Actuators: **Single**

Actuator Profile: **Flush**

Bushing Style: **Threaded**

Features

Product Type Features

Switch Connection Type	Wire Lugs
Push Button Switch Product Type	Anti-Vandal Switch
Illuminated	With
Actuator Style	Round Actuator

Configuration Features

Configuration (Pole-Throw)	Single Pole - Single Throw
Number of Actuators	Single
Snap Action	Without
Support Bracket	Without
Switch Feedback Type	Auditory
Operating Function	On Off

Electrical Characteristics

Contact Current Rating	3 A
Operating Voltage Range	250 VAC

Body Features

Case Material	PBT
Product Orientation	Vertical
Actuator Force	255 g[9 oz]
Actuator Profile	Flush
Bushing Style	Threaded

Contact Features

Contact Base Material	Copper
Switch Contact Plating Material	Silver

Housing Features

Process Sealed	Yes
----------------	-----

Industry Standards

IP Rating	IP67
-----------	------

Product Compliance

[For compliance documentation, visit the product page on TE.com>](#)

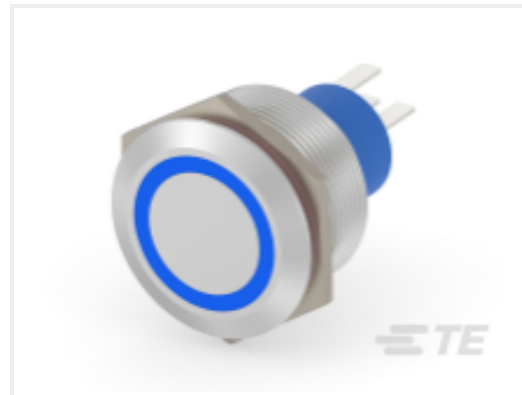
EU RoHS Directive 2011/65/EU	Compliant with Exemptions
EU ELV Directive 2000/53/EC	Compliant with Exemptions
China RoHS 2 Directive MIIT Order No 32, 2016	有害物质含量超出标准 Restricted Substance(s) Above Threshold
EU REACH Regulation (EC) No. 1907/2006	Current ECHA Candidate List: JUNE 2025 (250) Candidate List Declared Against: JUNE 2024 (241) SVHC > Threshold: Pb (3.7% in Component Part) Article Safe Usage Statements: Do not eat, drink or smoke when using this product. Wash thoroughly after handling. Recycle if possible and dispose of the article by following all applicable governmental regulations relevant to your geographic location.
Halogen Content	Low Halogen - Br, Cl, F < 900 ppm per homogenous material. Also BFR/CFR/PVC Free
Solder Process Capability	Not reviewed for solder process capability

Product Compliance Disclaimer

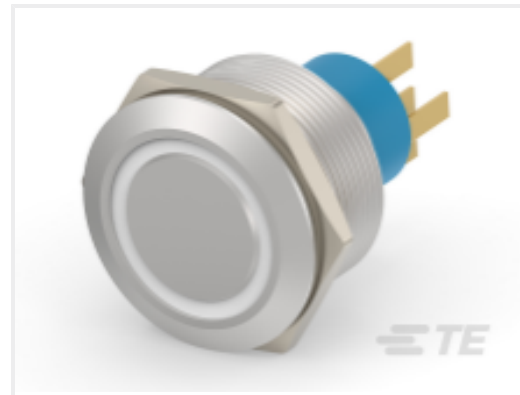
This information is provided based on reasonable inquiry of our suppliers and represents our current actual knowledge based on the information they provided. This information is subject to change. The part numbers that TE has identified as EU RoHS compliant have a maximum concentration of 0.1% by weight in homogenous materials for lead, hexavalent chromium, mercury, PBB, PBDE, DBP, BBP, DEHP, DIBP, and 0.01% for cadmium, or qualify for an exemption to these limits as defined in the Annexes of Directive 2011/65/EU (RoHS2). Finished electrical and electronic equipment products

will be CE marked as required by Directive 2011/65/EU. Components may not be CE marked. Additionally, the part numbers that TE has identified as EU ELV compliant have a maximum concentration of 0.1% by weight in homogenous materials for lead, hexavalent chromium, and mercury, and 0.01% for cadmium, or qualify for an exemption to these limits as defined in the Annexes of Directive 2000/53/EC (ELV). Regarding the REACH Regulation, the information TE provides on SVHC in articles for this part number is based on the latest European Chemicals Agency (ECHA) 'Guidance on requirements for substances in articles' posted at this URL: <https://echa.europa.eu/guidance-documents/guidance-on-reach>

Compatible Parts



TE Part # 2317656-9
AV25 SPM 3A MOVING RING BLUE
12V



TE Part # 2328818-1
AV25 SPM 3A MOVING RING WHITE
12V



TE Part # 2317659-4
AV25 SPM 3A MOVING RING POWER
R&B 24V FL

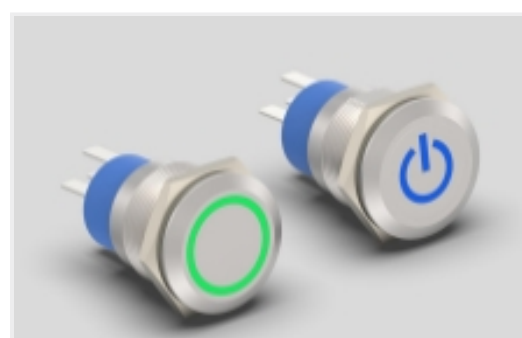


TE Part # 2317655-2
AV25 SPL 3A NO LED FL



TE Part # 2328820-1
AV 25 SPM 3A MOVING RING R&G
12V

Also in the Series | ALCOSWITCH AV25



Anti-Vandal Switches(88)



Push Button Switches(88)

Customers Also Bought



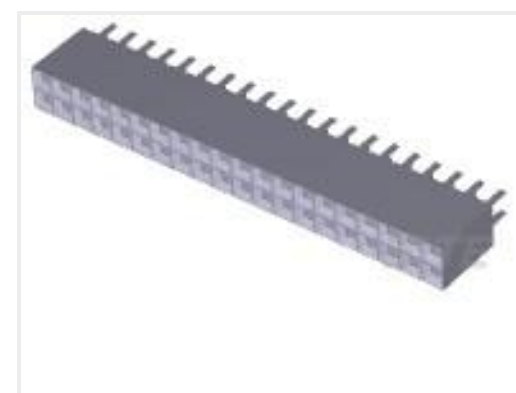
TE Part #L9000223-01
Antenna WiFi6/6E FPC SH 25x20 100
UFL



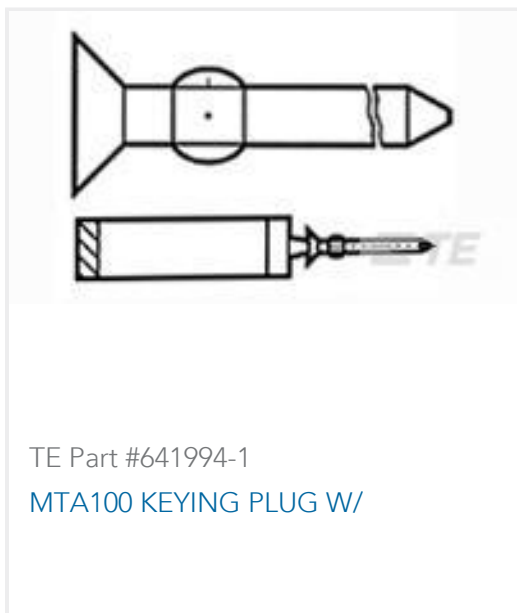
TE Part #192129-1
4MM 10B1S1/4-X 10-32



TE Part #350566-7
MINI AMP-IN 22-18 AWG POST TIN
PLTD



TE Part #7-534998-0
40 MODIV VRT DR CE 100/125
PLTD



TE Part #641994-1
MTA100 KEYING PLUG W/



TE Part #1-1478979-0
SMA STR PCB SKT GSS



TE Part #2-1825910-7
FSM14JH=6MM TACT SWITCH, HIGH TEMP



TE Part #1-2176326-7
CRGP 0603 220R 1%



TE Part #2317570-1
AV22 SPM 3A MOVING RING R&G 12V



TE Part #4-2328724-5
45PIN 0.3MMP FPC CONNECTOR, FRONT FLIP

Documents

Product Drawings

[AV25 SPL 3A MOVING RING POWER GREEN 24V](#)

English

CAD Files

[3D PDF](#)

3D

Customer View Model

[ENG_CVM_CVM_2317658-9_A.2d_dxf.zip](#)

English

Customer View Model

[ENG_CVM_CVM_2317658-9_A.3d_igs.zip](#)

English

Customer View Model

[ENG_CVM_CVM_2317658-9_A.3d_stp.zip](#)

English

By downloading the CAD file I accept and agree to the [Terms and Conditions](#) of use.

Datasheets & Catalog Pages

[ALCOSWITCH Anti-Vandal Switch](#)

English

Agency Approvals

[UL Report](#)

English