

2234786-1 ✓ ACTIVE

TE Internal #: 2234786-1

Discrete, Worldwide, In-Line Splice / Ring Terminal / Stub Splice, Heating Tool, RBK Processor, 9.5 mm Substrate Diameter, Heat Shrink Equipment

[View on TE.com >](#)



Application Tooling > Heat Shrink Equipment



Equipment Processing Type: **Discrete**

Applicable Region: **Worldwide**

Heat Shrink Equipment Application: **Ring Terminal, Stub Splice, In-Line Splice**

Tooling Type: **Heating Tool**

Spare Parts Tooling Type: **RBK Processor**

## Features

### Other

Equipment Processing Type	Discrete
Heat Shrink Equipment Application	Ring Terminal, Stub Splice, In-Line Splice
Tooling Type	Heating Tool
Substrate Outside Diameter Max	9.5 mm
EU RoHS Compliance	Compliant

### Product Availability

Applicable Region	Worldwide
-------------------	-----------

### Product Type Features

Spare Parts Tooling Type	RBK Processor
--------------------------	---------------

### Dimensions

Tubing Outer Diameter (Max)	≤ 19 mm[≤ .75 in]
Tubing Length (Max)	≤ 65 mm[≤ 2.56 in]

## Product Compliance

[For compliance documentation, visit the product page on TE.com>](#)


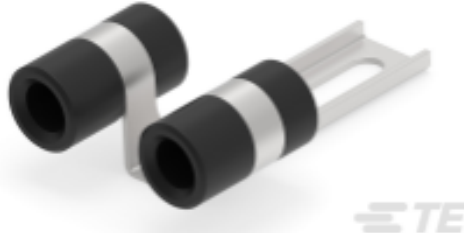


EU RoHS Directive 2011/65/EU	Compliant
EU ELV Directive 2000/53/EC	Out of Scope
China RoHS 2 Directive MIIT Order No 32, 2016	No Restricted Materials Above Threshold
EU REACH Regulation (EC) No. 1907/2006	Current ECHA Candidate List: JUNE 2024 (241) Candidate List Declared Against: JUN 2020 (209) Does not contain REACH SVHC
Halogen Content	Low Halogen - Br, Cl, F, I < 900 ppm per homogenous material. Also BFR/CFR/PVC Free
Solder Process Capability	Not reviewed for solder process capability

Product Compliance Disclaimer

This information is provided based on reasonable inquiry of our suppliers and represents our current actual knowledge based on the information they provided. This information is subject to change. The part numbers that TE has identified as EU RoHS compliant have a maximum concentration of 0.1% by weight in homogenous materials for lead, hexavalent chromium, mercury, PBB, PBDE, DBP, BBP, DEHP, DIBP, and 0.01% for cadmium, or qualify for an exemption to these limits as defined in the Annexes of Directive 2011/65/EU (RoHS2). Finished electrical and electronic equipment products will be CE marked as required by Directive 2011/65/EU. Components may not be CE marked. Additionally, the part numbers that TE has identified as EU ELV compliant have a maximum concentration of 0.1% by weight in homogenous materials for lead, hexavalent chromium, and mercury, and 0.01% for cadmium, or qualify for an exemption to these limits as defined in the Annexes of Directive 2000/53/EC (ELV). Regarding the REACH Regulation, the information TE provides on SVHC in articles for this part number is based on the latest European Chemicals Agency (ECHA) 'Guidance on requirements for substances in articles' posted at this URL: <https://echa.europa.eu/guidance-documents/guidance-on-reach>

## Compatible Parts

<p>TE Part # 6-2234788-8 CABLE CLAMPER, FLATTEN</p>	<p>TE Part # 7-2234788-0 STANDARD TOOL KIT</p>	<p>TE Part # 4-2234788-7 CABLE FLATNESS KEEPER, RIGHT</p>	<p>TE Part # 7-2234788-1 CABLE CLAMPER, LEFT</p>
<p>TE Part # 4-2234788-9 END CAP HOLDER</p>	 <p>TE Part # 1-2234800-3 RBK-X1, W/ AIR COOLING</p>	 <p>TE Part # 2384437-1 KIT, TERMINAL HOLDER, RBK</p>	<p>TE Part # 4-2234788-8 CABLE FLATNESS KEEPER, LEFT</p>



TE Part # 7-2234788-2  
CABLE CLAMPER, RIGHT



TE Part # 1-2234800-1  
RBK-X1, AUTO TRIGGER

TE Part # 8-529533-2  
DOUBLE FIXTURE ID 4.5MM

TE Part # 6-529533-1  
FIXTURE ID 4.5MM CPL.

TE Part # 7-2234788-7  
KIT, TERMINAL HOLDER, RBK

TE Part # 7-2234788-4  
END CAP HOLDER, DUAL

TE Part # 7-2234788-3  
CABLE CLAMPER, CIRCLE



TE Part # 2234800-1  
RBK-X1 STD

TE Part # 6-529533-3  
FIXTURE ID 8MM CPL.

TE Part # 6-529533-2  
FIXTURE ID 5.5MM CPL.

TE Part # 8-529533-3  
DOUBLE FIXTURE ID 5.5MM

TE Part # 8-529533-4  
DOUBLE FIXTURE ID 8MM

### Customers Also Bought



TE Part #206070-8  
CABLE CLAMP KIT #17



TE Part #DT04-2P  
REC, 2P, GRY, N



TE Part #CAT-D48-ST273  
DEUTSCH Solid Contacts



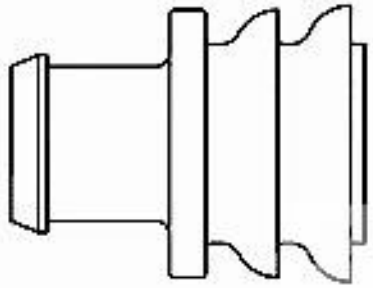
TE Part #W2S  
WEDGE LOCK, 2P, PLG, ORG, STD, DT



TE Part #114017-ZZ  
SEALING PLUG, SIZE 12/16, WHT



TE Part #CAT-AM71-CH8172  
AMP SUPERSEAL 1.5MM, CONNECTOR HOUSING



TE Part #281934-2  
SINGLE WIRE SEAL

### Documents



**Product Drawings**

**RBK FIXTURE, MULTI-TOOL**

English

---

**Instruction Sheets**

**Instruction Sheet (non U.S.)**

English

**Instruction Sheet (non U.S.)**

French

**Instruction Sheet (non U.S.)**

**Instruction Sheet (non U.S.)**

**Instruction Sheet (non U.S.)**

**Instruction Sheet (non U.S.)**

**Instruction Sheet (non U.S.)**

**Instruction Sheet (non U.S.)**

German

---

**Agency Approvals**

**CE Declaration of Conformity**

**CE Declaration of Conformity**

**CE Declaration of Conformity**

**CE Declaration of Conformity**

**CE Declaration of Conformity**

English

**CE Declaration of Conformity**

**CE Declaration of Conformity**

**CE Declaration of Conformity**

**CE Declaration of Conformity**

**CE Declaration of Conformity**

French

**CE Declaration of Conformity**

German