



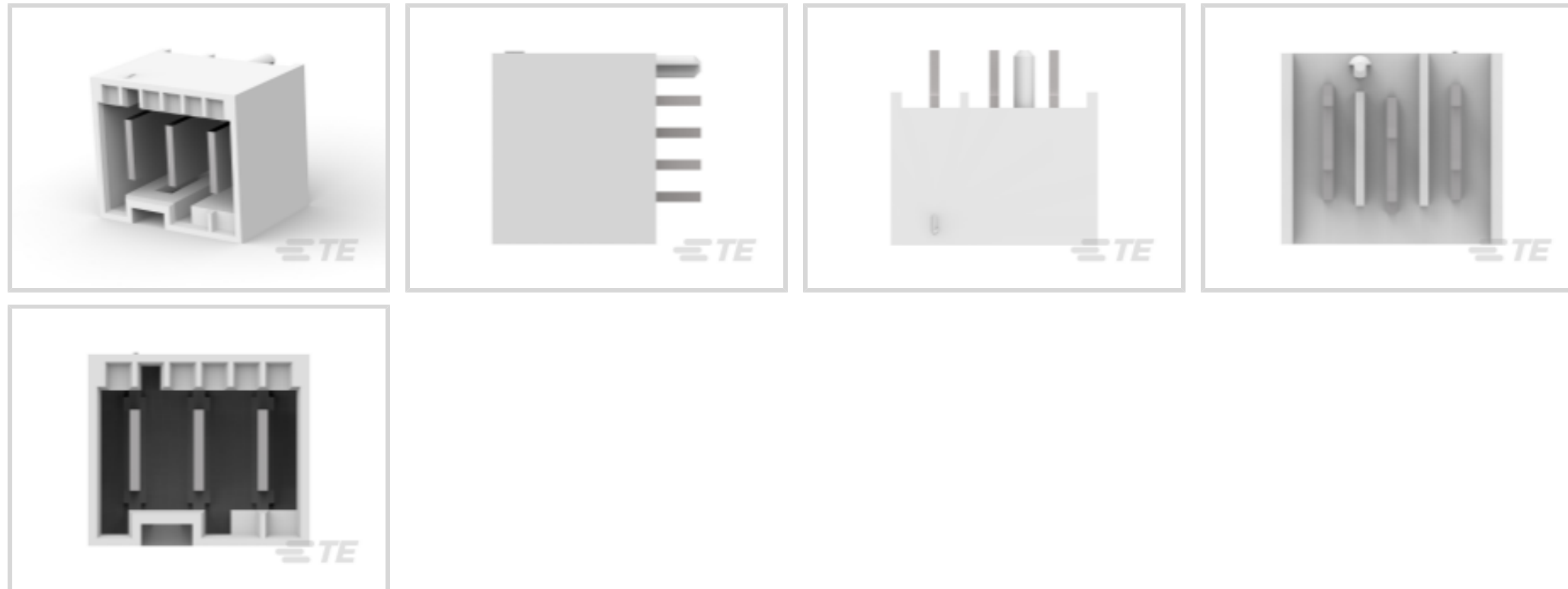
RAST | RAST 5D

TE Internal #: 2232532-3

PCB Mount Header, Vertical, Wire-to-Board, 3 Position, 5 mm [.197 in] Centerline, Fully Shrouded, Tin, Through Hole - Solder, Power, Natural, RAST 5D

[View on TE.com >](#)

Connectors > PCB Connectors > PCB Headers & Receptacles



PCB Connector Assembly Type: **PCB Mount Header**

PCB Mount Orientation: **Vertical**

Connector System: **Wire-to-Board**

Number of Positions: **3**

Number of Rows: **1**

### Features

#### Electrical Characteristics

Operating Voltage	250 VAC
-------------------	---------

#### Dimensions

Connector Width	14.9 mm[.58 in]
PCB Thickness (Recommended)	1.5 mm[.059 in]
Connector Height	12.8 mm[.503 in]
Connector Length	17.3 mm[.68 in]

#### Industry Standards

Compatible With Agency/Standards Products	UL
Compatible With Approved Standards Products	UL E28476
UL Flammability Rating	UL 94V-0

#### Mechanical Attachment

Mating Retention	With
Mating Alignment Type	Keyed, Polarization
PCB Mount Alignment Type	Polarizing Pegs



PCB Mount Retention	Without
PCB Mount Alignment	With
Connector Mounting Type	Board Mount
Mating Alignment	With

### Termination Features

Square Termination Post & Tail Dimension	.8 mm[.032 in]
Termination Method to PCB	Through Hole - Solder

### Contact Features

Contact Underplating Material	Nickel
Contact Underplating Material Thickness	1.27 $\mu$ m[50 $\mu$ in]
PCB Contact Termination Area Plating Material Finish	Matte
Contact Mating Area Plating Material Thickness	3.81 $\mu$ m[150 $\mu$ in]
Mating Tab Width	6.3 mm[.248 in]
PCB Contact Termination Area Plating Material Thickness	3.81 $\mu$ m[150 $\mu$ in]
Contact Shape & Form	Rectangular
Contact Layout	Inline
Contact Base Material	Brass
Mating Tab Thickness	.8 mm[.032 in]
PCB Contact Termination Area Plating Material	Tin
Contact Mating Area Plating Material Finish	Matte
Contact Mating Area Plating Material	Tin
Contact Type	Tab
Contact Current Rating (Max)	16 A

### Housing Features

Housing Material	Nylon
Centerline (Pitch)	5 mm[.197 in]

### Configuration Features

Number of Columns	3
Keying & Polarized Position Locations	1B
PCB Mount Orientation	Vertical
Number of Positions	3
Number of Rows	1



### Product Type Features

PCB Connector Assembly Type	PCB Mount Header
Connector System	Wire-to-Board
Header Type	Fully Shrouded
Sealable	No
Connector & Contact Terminates To	Printed Circuit Board

### Body Features

Primary Product Color	Natural
-----------------------	---------

### Usage Conditions

Operating Temperature Range	-40 – 120 °C[-40 – 248 °F]
-----------------------------	----------------------------

### Operation/Application

Circuit Application	Power
---------------------	-------

### Packaging Features

Packaging Method	Loose Piece
------------------	-------------

### Other

EU RoHS Compliance	Compliant
EU ELV Compliance	Compliant

### Product Compliance

[For compliance documentation, visit the product page on TE.com>](#)

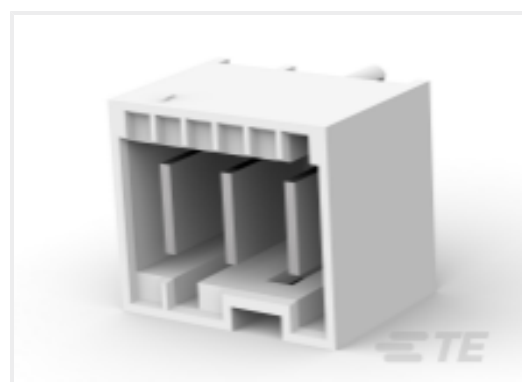
EU RoHS Directive 2011/65/EU	Compliant
EU ELV Directive 2000/53/EC	Compliant
China RoHS 2 Directive MIIT Order No 32, 2016	No Restricted Materials Above Threshold
EU REACH Regulation (EC) No. 1907/2006	Current ECHA Candidate List: JUNE 2024 (241) Candidate List Declared Against: JUNE 2024 (241) Does not contain REACH SVHC
Halogen Content	Not Low Halogen - contains Br or Cl > 900 ppm.
Solder Process Capability	Not reviewed for solder process capability

#### Product Compliance Disclaimer

This information is provided based on reasonable inquiry of our suppliers and represents our current actual knowledge based on the information they provided. This information is subject to change. The part numbers that TE has identified as EU RoHS compliant have a maximum concentration of 0.1% by weight in homogenous materials for lead, hexavalent

chromium, mercury, PBB, PBDE, DBP, BBP, DEHP, DIBP, and 0.01% for cadmium, or qualify for an exemption to these limits as defined in the Annexes of Directive 2011/65/EU (RoHS2). Finished electrical and electronic equipment products will be CE marked as required by Directive 2011/65/EU. Components may not be CE marked. Additionally, the part numbers that TE has identified as EU ELV compliant have a maximum concentration of 0.1% by weight in homogenous materials for lead, hexavalent chromium, and mercury, and 0.01% for cadmium, or qualify for an exemption to these limits as defined in the Annexes of Directive 2000/53/EC (ELV). Regarding the REACH Regulation, the information TE provides on SVHC in articles for this part number is based on the latest European Chemicals Agency (ECHA) 'Guidance on requirements for substances in articles' posted at this URL: <https://echa.europa.eu/guidance-documents/guidance-on-reach>

## Compatible Parts



TE Part # 3-2232532-3  
3P, PL RAST 5 Tab Header, TH,Vertical



TE Part # 7-2232532-3  
3P, PL RAST 5 Tab Header, TH,Vertical



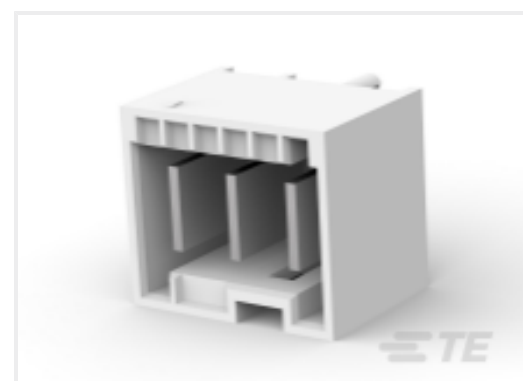
TE Part # 1-2232532-4  
4P, PL RAST 5 Tab Header, TH,Vertical



TE Part # 8-2232532-4  
4P, RAST 5 TAB HEADER, THV, TUBE PECKAGE



TE Part # 8-2232532-6  
6P, PL RAST 5 Tab Header, TH,Vertical



TE Part # 4-2232532-3  
3P, PL RAST 5 Tab Header, TH,Vertical



TE Part # 2232532-7  
7P, PL RAST 5 Tab Header, TH,Vertical



TE Part # 2232532-2  
2P, PL RAST 5 Tab Header,TH, Vertical



TE Part # 2232532-8  
8P, PL RAST 5 Tab Header, TH,Vertical



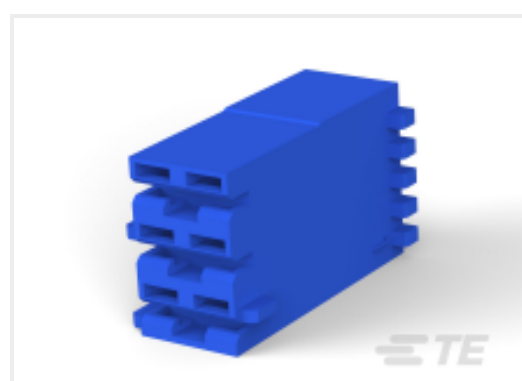
TE Part # 6-2232532-3  
3P, PL RAST 5 Tab Header, TH,Vertical



TE Part # 1-2232532-5  
5P, PL RAST 5 Tab Header, TH,Vertical



TE Part # 2232532-4  
4P, PL RAST 5 Tab Header, TH,Vertical



TE Part # 521205-1  
POSI-LOK HSG.250-3 POS RAST5



TE Part # 1-2232532-6  
6P, PL RAST 5 Tab Header, TH,Vertical



TE Part # 2232532-5  
5P, PL RAST 5 Tab Header, TH,Vertical



TE Part # 3-2232532-2  
2P, PL RAST 5 Tab Header, TH, Vertical



TE Part # 3-2232532-8  
8P, PL RAST 5 Tab Header, TH, Vertical



TE Part # 9-2232532-3  
3P, RAST 5 TAB HEADER, THV, TUBE PECKAGE

## Also in the Series | RAST 5D



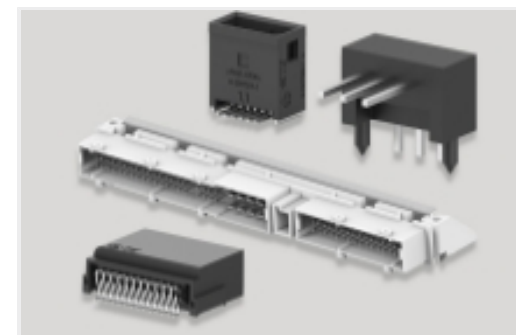
Automotive Terminals(5)



Connector Contacts(10)



Insertion & Extraction Tools(1)



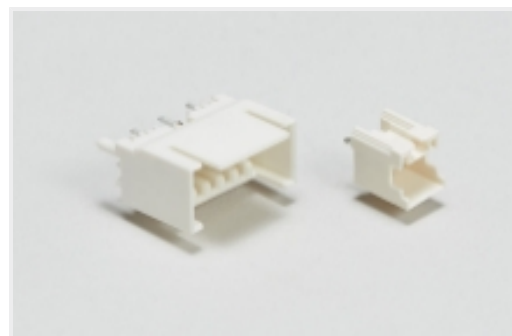
PCB Headers & Receptacles(69)



Power Contacts(1)



Wire-to-Board Connector Assemblies & Housings(74)

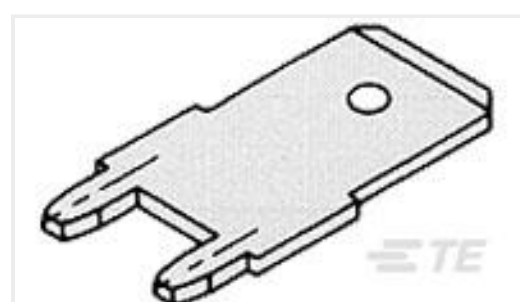


Wire-to-Board Headers & Receptacles (69)

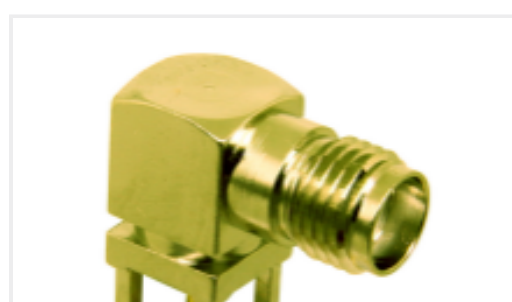
## Customers Also Bought



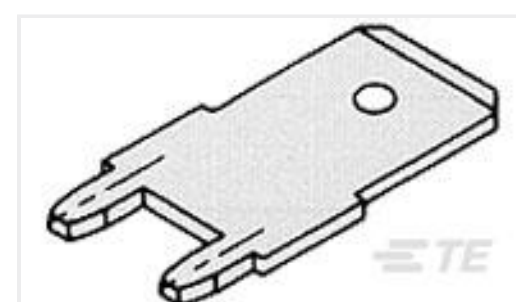
TE Part #1-770967-1  
03P MINI UMNL R/A HDR ASSY AU



TE Part #62409-1  
250 FASTON TAB TPBR



TE Part #CON SMA002-G  
SMA Jack 50 Ohm PCB Through Hole



TE Part #63900-1  
250 FASTON TAB TPBR



TE Part #9-1625892-1  
3W SM M/OX 5% 120K



TE Part #1-1393161-9  
RP28500-RETAINING CLIP



TE Part #3-2176508-6  
CJP 300W 470R 5% Lead



TE Part #4-644897-0  
10P CST100 SHRD HDR ASSY LF



## Documents

### Product Drawings

[3P, PL RAST 5 Tab Header, TH, Vertical](#)

English

### CAD Files

[3D PDF](#)

3D

Customer View Model

[ENG\\_CVM\\_CVM\\_2232532-3\\_B.2d\\_dxf.zip](#)

English

Customer View Model

[ENG\\_CVM\\_CVM\\_2232532-3\\_B.3d\\_igs.zip](#)

English

Customer View Model

[ENG\\_CVM\\_CVM\\_2232532-3\\_B.3d\\_stp.zip](#)

English

By downloading the CAD file I accept and agree to the [Terms and Conditions](#) of use.

### Datasheets & Catalog Pages

[RAST Connector System Catalog](#)

English

### Product Specifications

[Product Specification](#)

English

### Agency Approvals

[UL Report](#)

English

[UL Report](#)

English