



### Product Compliance

[For compliance documentation, visit the product page on TE.com>](#)

EU RoHS Directive 2011/65/EU	Compliant with Exemptions
EU ELV Directive 2000/53/EC	Compliant with Exemptions
China RoHS 2 Directive MIIT Order No 32, 2016	Restricted Materials Above Threshold
EU REACH Regulation (EC) No. 1907/2006	Current ECHA Candidate List: JUNE 2024 (241) Candidate List Declared Against: JUL 2021 (219) SVHC > Threshold: Pb (3.7% in Component Part) <b>Article Safe Usage Statements:</b> Do not eat, drink or smoke when using this product. Wash thoroughly after handling. Recycle if possible and dispose of the article by following all applicable governmental regulations relevant to your geographic location.
Halogen Content	Low Halogen - Br, Cl, F, I < 900 ppm per homogenous material. Also BFR/CFR/PVC Free
Solder Process Capability	Not applicable for solder process capability

#### Product Compliance Disclaimer

This information is provided based on reasonable inquiry of our suppliers and represents our current actual knowledge based on the information they provided. This information is subject to change. The part numbers that TE has identified as EU RoHS compliant have a maximum concentration of 0.1% by weight in homogenous materials for lead, hexavalent chromium, mercury, PBB, PBDE, DBP, BBP, DEHP, DIBP, and 0.01% for cadmium, or qualify for an exemption to these limits as defined in the Annexes of Directive 2011/65/EU (RoHS2). Finished electrical and electronic equipment products will be CE marked as required by Directive 2011/65/EU. Components may not be CE marked. Additionally, the part numbers that TE has identified as EU ELV compliant have a maximum concentration of 0.1% by weight in homogenous materials for lead, hexavalent chromium, and mercury, and 0.01% for cadmium, or qualify for an exemption to these limits as defined in the Annexes of Directive 2000/53/EC (ELV). Regarding the REACH Regulation, the information TE provides on SVHC in articles for this part number is based on the latest European Chemicals Agency (ECHA) 'Guidance on requirements for substances in articles' posted at this URL: <https://echa.europa.eu/guidance-documents/guidance-on-reach>

## Customers Also Bought



TE Part #1658613-3  
15 POS HDF PLUG, MS, LEAD FREE



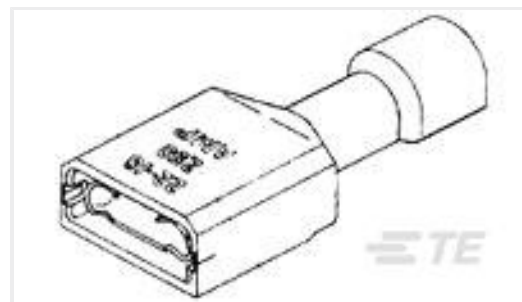
TE Part #167294-1  
25P HDP20 PLUG ASSY



TE Part #165514-1  
TERM, WIRE PIN, PIDG, 26-22



TE Part #5053142077  
RNF-100-3/8-0-STK



TE Part #3-520408-2  
ULTRA-FAST 250 ASY REC 16-14 AWG  
TPBR



TE Part #926895-1  
UNIVERSAL M-N-L SOCKET



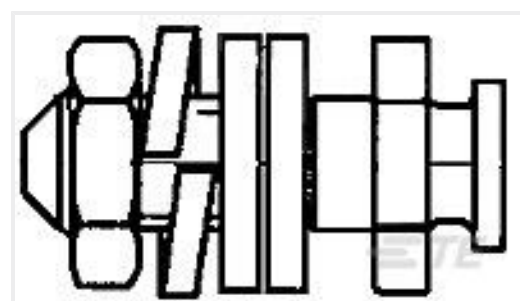
TE Part #9353250001  
RPS-16-10/2.0-4



TE Part #1-1658621-2  
64 NOVO MIL/CTR 15DP, LEAD FREE



TE Part #205206-3  
CRIMP SNAP PLUG ASSY, SIZE 2



TE Part #5206514-6  
SLIDING LOCK POST KIT

## Documents

### Product Drawings

ADAPTER,JACK,BHD,75 OHM,BNC

English

### CAD Files

3D PDF

English

Customer View Model

[ENG\\_CVM\\_222117-1\\_A.2d\\_dxf.zip](#)

English

Customer View Model

[ENG\\_CVM\\_222117-1\\_A.3d\\_igs.zip](#)

English

Customer View Model

[ENG\\_CVM\\_222117-1\\_A.3d\\_stp.zip](#)

English

By downloading the CAD file I accept and agree to the [Terms and Conditions](#) of use.

